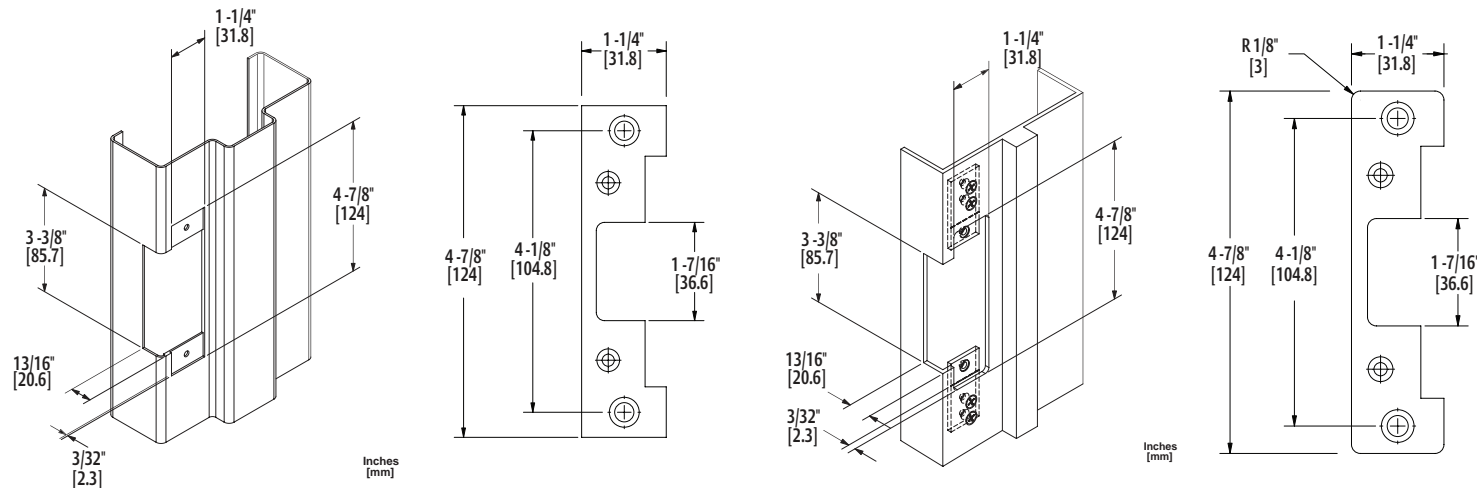


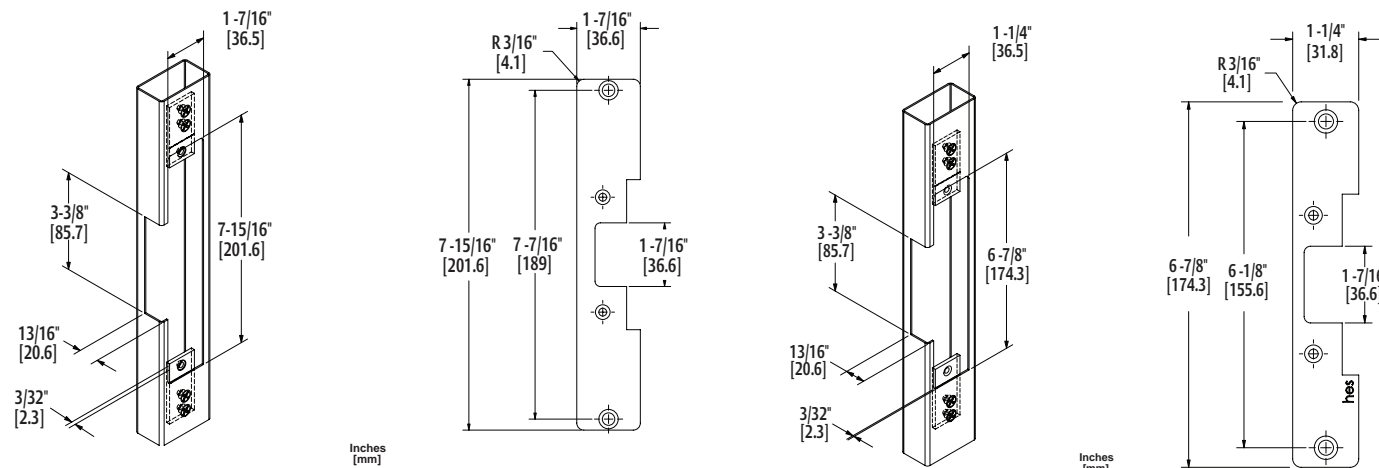
Cutout Templates for Frame Preparation

NOTE: The 5200 has an in-frame horizontal adjustment range of about 1/4" (6.4 mm) to allow adjustment of the electric strike in the frame opening to accommodate for the horizontal position of the latchbolt after the strike has been installed. The "Adjusting the Horizontal" section provides steps for this adjustment.



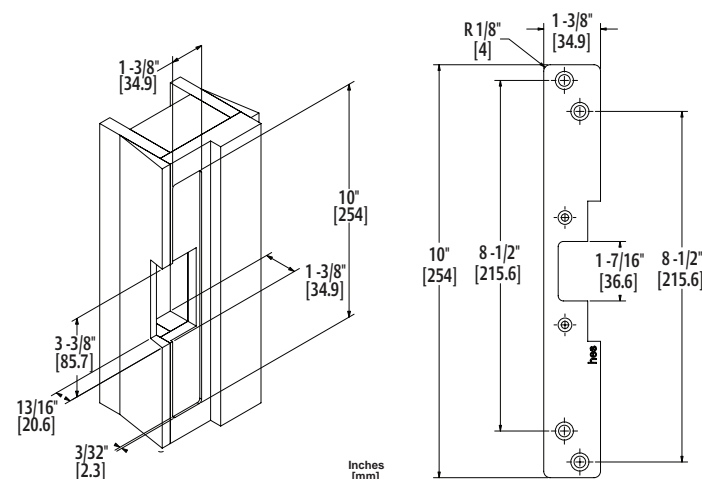
501 Faceplate Option (4-7/8" x 1-1/4"), Square Corners and Flat Faceplate
Used with cylindrical locksets in ANSI metal jambs

501A Faceplate Option (4-7/8" x 1-1/4"), Radius Corners and Flat Faceplate
Used with cylindrical locksets or spring latches in aluminum frames

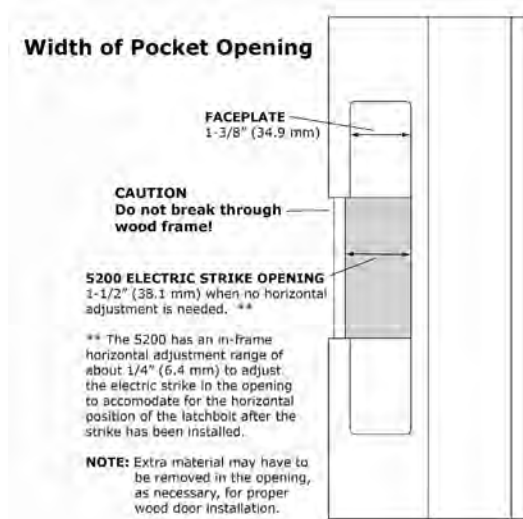


502 Faceplate Option (7-5/16" x 1-7/16"), Radius Corners and Flat Faceplate
Used with cylindrical locksets or spring latches in aluminum frames

503 Faceplate Option (6-7/8" x 1-1/4"), Radius Corners and Flat Faceplate
Used with cylindrical locksets or spring latches in aluminum frames



504 Faceplate Option (10" x 1-3/8"), Radius Corners and Flat Faceplate
Used with cylindrical locksets; four-point mounting for wood installations



5200 Series Electric Strike Installation Instructions

HES, Inc.
Phoenix, AZ
800-626-7590
www.hesinnovations.com

Product Components

- ① 5200 Electric Strike Body
- ② Trim Enhancer
- ③ 12-Volt and 24-Volt Pigtails

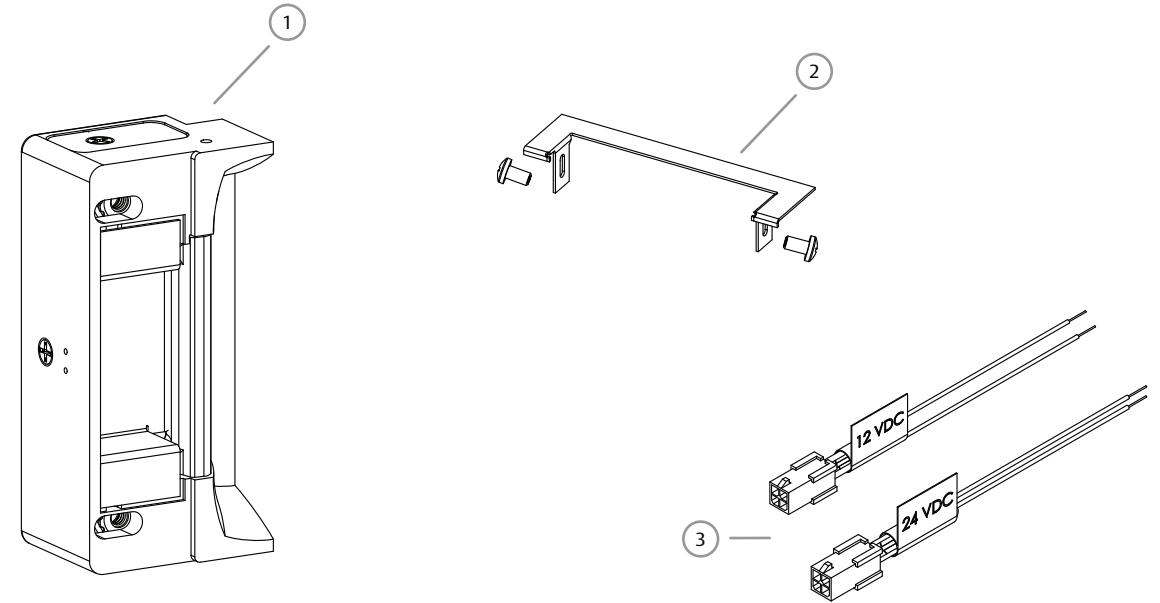


Diagram 1: Product Components

Electrical Specifications

Electrical Ratings for Solenoid					
Continuous Duty	12 VDC	24 VDC	Intermittent Duty*	12-16 VAC	24 VAC
Resistance in Ohms	50	200	Resistance in Ohms	50	200
Amps	.24	.12	Amps	.24 - .32	.12

Solenoids are rated at +/- 10% indicated value.
*10% maximum duty cycle (2 minutes maximum on time)
Indoor use only

Minimum Wire Gauge Requirements (Based on Round Trip)	Solenoid Voltage	
	12 VDC	24 VDC
200 feet or less	18 gauge	20 gauge
200 - 300 feet	16 gauge	18 gauge
300 - 400 feet	14 gauge	16 gauge

ASSA ABLOY, the global leader
in door opening solutions

CAUTION!

Before connecting any device at the installation site, verify input voltage using a multimeter. Many power supplies and low voltage transformers operate at higher levels than listed. Any input voltage exceeding 10% of the solenoid rating may cause severe damage to the unit and will void the warranty.

Preparing the Strike

Note: For 12 VDC, the Plug In Connector (pigtail) marked "12 VDC" should be used; for 24 VDC, the pigtail marked "24 VDC" should be used.

1. SELECT the appropriate pigtail that matches system power and electrically CONNECT as illustrated in Diagram 2.
2. If no connector is present, CONFIGURE the wires as illustrated in Diagram 2.
3. If using the Latchbolt Monitor (LBM) or Latchbolt Strike Monitor (LBSM), REFER to Diagrams 3 and 4 on Page 3 to complete wiring.

Note: The 5200 ships in FAIL SECURE OPERATION mode.

4. USE Diagrams 5 and 6 on Page 3 as a guide to convert 5200 to FAIL SAFE OPERATION, if needed.
5. ATTACH the appropriate faceplate.

Preparing the Frame

6. PREPARE the frame using the appropriate template for the faceplate (see Page 4).

Finishing the Installation

7. Electrically CONNECT the wires from the power source to the 5200.
8. INSTALL the 5200 in the jamb cutout.
9. IF horizontal adjustment is needed, THEN GO TO the "Adjusting the Horizontal" section (see Page 3).

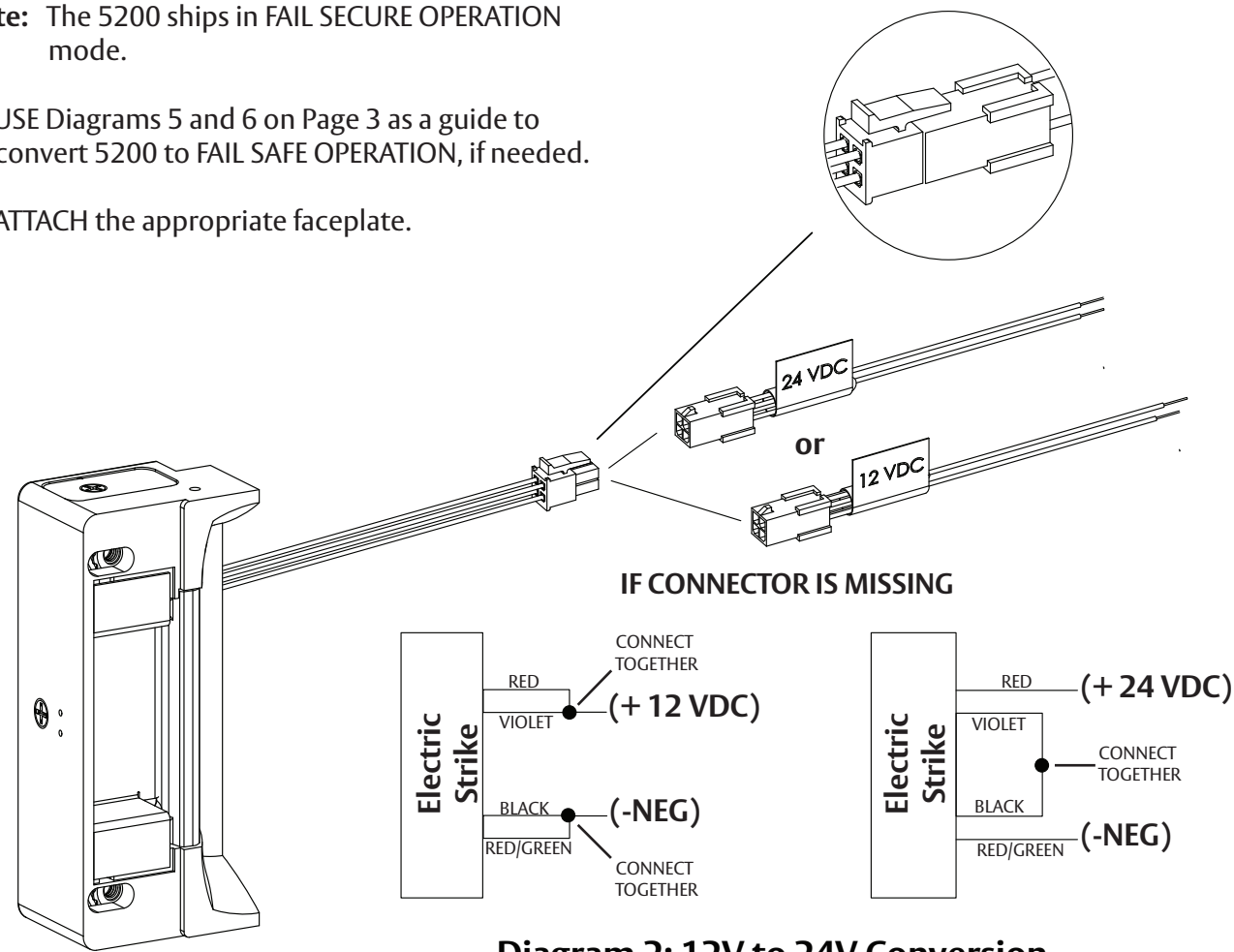


Diagram 2: 12V to 24V Conversion

LBM Wiring

White	Common
Orange	Normally Open
Green	Normally Closed

White
Orange
Green

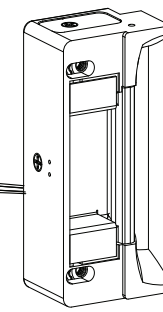


Diagram 3: Latchbolt Monitor

LBSM Wiring

Brown	Common
Blue	Normally Open
Yellow	Normally Closed

Brown
Blue
Yellow

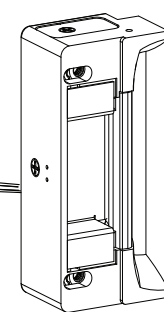


Diagram 4: Latchbolt Strike Monitor

Converting the Operation Mode

Note 1: The 5200 series Electric Strikes are pre-set for FAIL SECURE OPERATION.

Note 2: There are two #2-56 screws located on the back of the strike for covering the operation mode.

10. To convert from FAIL SECURE OPERATION to FAIL SAFE OPERATION, LOOSEN the two #2-56 screws located on the back of the strike, but DO NOT REMOVE them.

11. MOVE the Selector Stop Pins to the FAIL SAFE OPERATION position as pictured in Diagram 5.

12. TIGHTEN the two #2-56 screws to secure the strike in FAIL SAFE OPERATION.

Verifying the Operation Mode

13. VERIFY the 5200 is now in FAIL SAFE OPERATION.

14. IF the 5200 still operates as FAIL SECURE, THEN ENSURE the #2-56 screws are fully seated and tightened.

Adjusting the Horizontal

15. TURN the horizontal adjustment screws slowly to adjust the strike in-frame, as shown in Diagram 6.

16. DO NOT REMOVE the screws or ROTATE them more than 3 full turns.

17. TIGHTEN the screws securely once the strike has been adjusted to allow the K-Nut teeth to dig into the strike housing and prevent slippage during use.

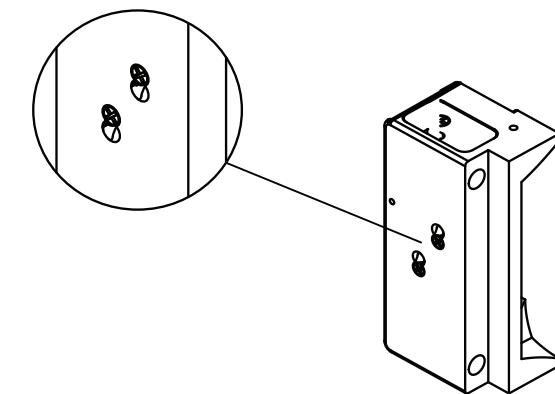


Diagram 5: FAIL SAFE OPERATION Mode Setting

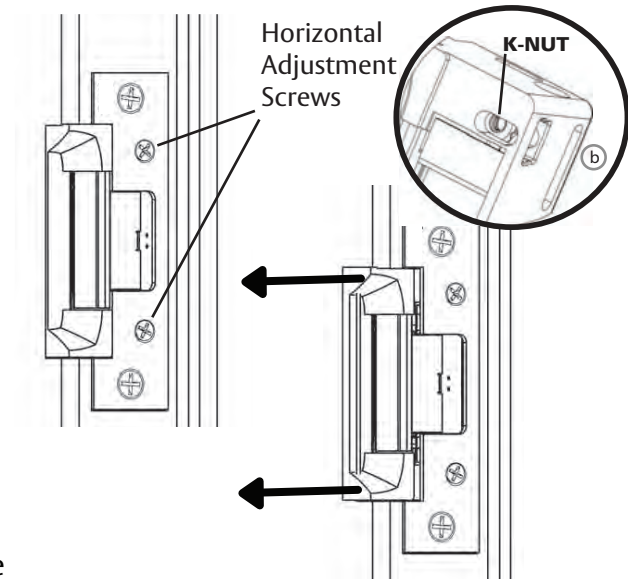


Diagram 6: Horizontal Adjustment