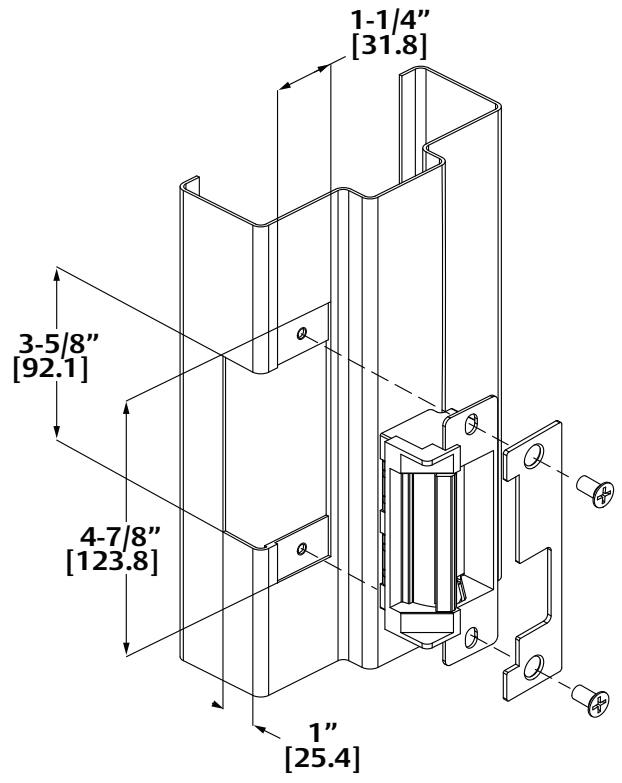
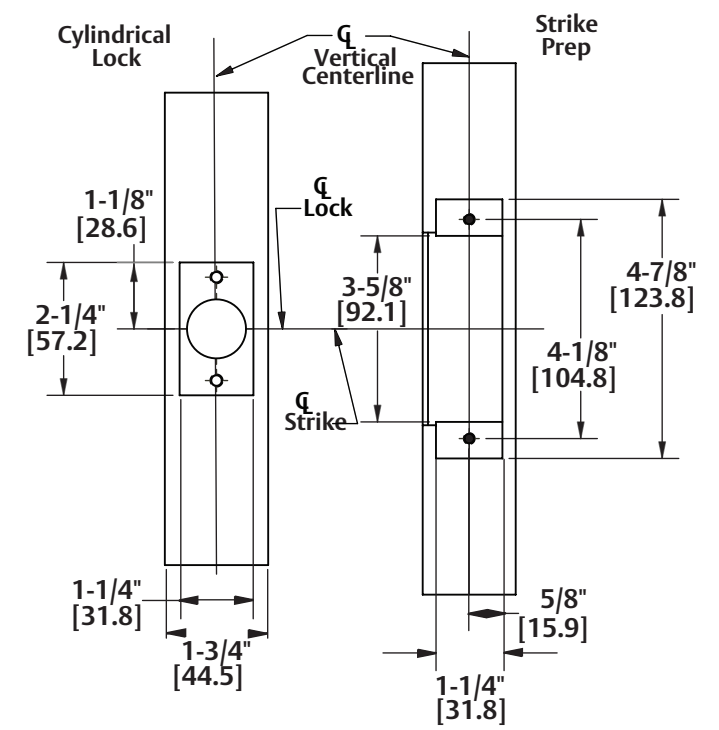


Inches [Millimeters]

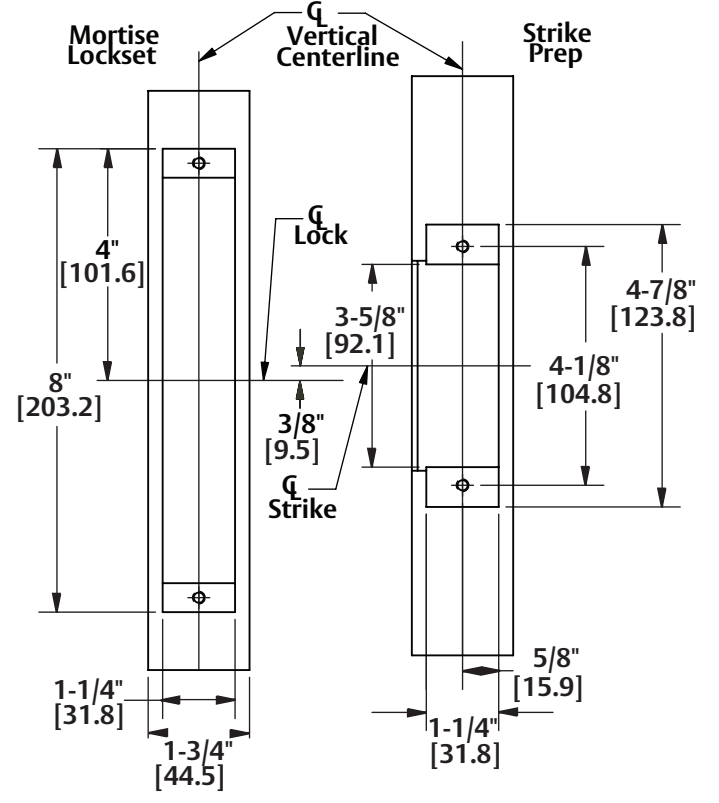
JAMB Cutout Dimensions



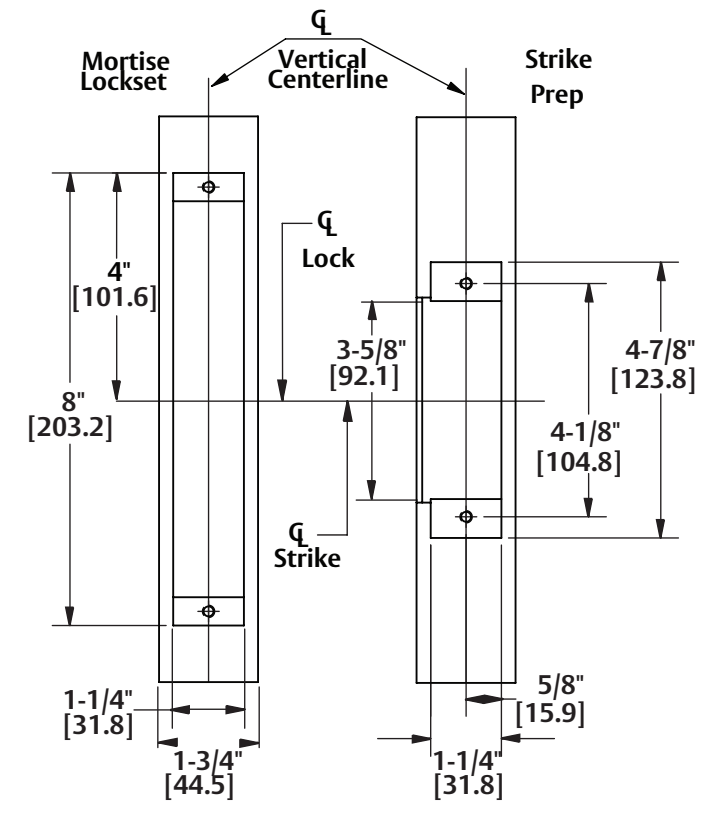
4500 with Cylindrical Locksets



4500 with Mortise Locksets

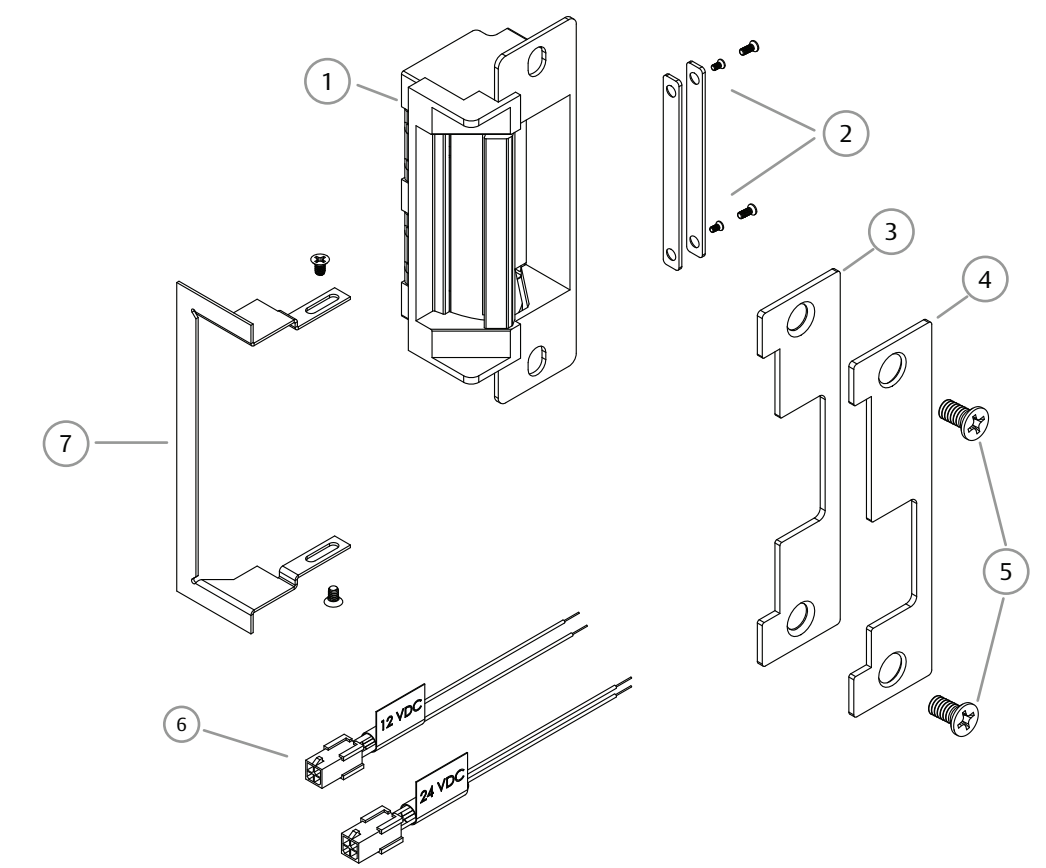


Schlage L9000 and YALE 8700 Locks Only



Product Components

- ① 4500 Electric Strike Body
- ② Keeper Shims & Screws (#4-40 x 1/8" and #4-40 x 3/16")
- ③ Centerlined and Non-handed Faceplate for Cylindrical Locksets
- ④ Offset and Non-handed Faceplate for Mortise Locksets
- ⑤ #12-24 x 1/2" Mounting Screws
- ⑥ 12 & 24 Volt Plug In Connectors
- ⑦ Trim Enhancer & Screws



Electrical Specifications

ELECTRICAL RATINGS FOR SOLENOID	CONTINUOUS DUTY		INTERMITTENT DUTY*	
	12 VDC	24 VDC	12-16 VAC	24 VAC
Resistance in Ohms	50	200	50	200
Amps	.24	.12	.24-.32	.12

Solenoids are rated at +/- 10% indicated value.
*10% max duty cycle (2 min. max on time)

MINIMUM WIRE GAUGE REQUIREMENTS	SOLENOID VOLTAGE	
	12VDC	24VDC
200 feet or less	18 gauge	20 gauge
200 - 300 feet	16 gauge	18 gauge
300 - 400 feet	14 gauge	16 gauge

CAUTION!
Before connecting any device at the installation site, verify input voltage using a multimeter. Many power supplies and low voltage transformers operate at higher levels than listed. Any input voltage exceeding 10% of the solenoid rating may cause severe damage to the unit and will void the warranty.

Preparing the Strike

NOTE 1: For 12 VAC, 12 VDC, or 16 VAC, the pigtail marked "12 VDC" is used.

NOTE 2: For 24VAC or 24 VDC, the pigtail marked "24 VDC" is used.

1. SELECT the appropriate plug in connector that matches system power and electrically CONNECT as shown in Figure 1, "12 VDC to 24 VDC Conversion."

NOTE: The state of switch is listed for an unpowered strike and LBM in unactuated (door open) position.

2. IF using a Latchbolt Monitor (LBM) or Latchbolt Strike Monitor (LBSM), THEN COMPLETE wiring in accordance with Figures 2, "Latchbolt Monitor," and Figure 3, "Strike Monitor," on Page 3.

CAUTION
Converting the 4500 Series Strike to Fail Safe Mode negates the unit's fire rating.

NOTE: This unit ships in Fail Secure mode.

3. VERIFY that the strike is in the correct mode of operation.

4. IF the 4500 Series Electric Strike must be converted to Fail Safe mode, THEN CONVERT in accordance with Figure 4, "Fail Safe Conversion," on Page 3.

Preparing the Frame

NOTE: Schlage L9000 and Yale 8700 locksets must use the template labeled "Schlage L9000 & Yale 8700 Locks Only." All other locksets should use the template labeled "Cylindrical Lockset" or Mortise Lockset."

5. PREPARE the frame for lockset using appropriate cutout template, as shown on Page 4.

Finishing the Installation

6. CHOOSE the appropriate faceplate for the strike as shown in Figure 5, "Faceplate Options," on Page 3.
7. CONNECT wires from the power source to the strike.
8. INSTALL the electric strike unit in jamb cutout, using #12-24 x 1/2" Mounting Screws provided.
9. IF horizontal adjustment is needed, THEN GO TO "Adjusting the Horizontal" section on Page 3.

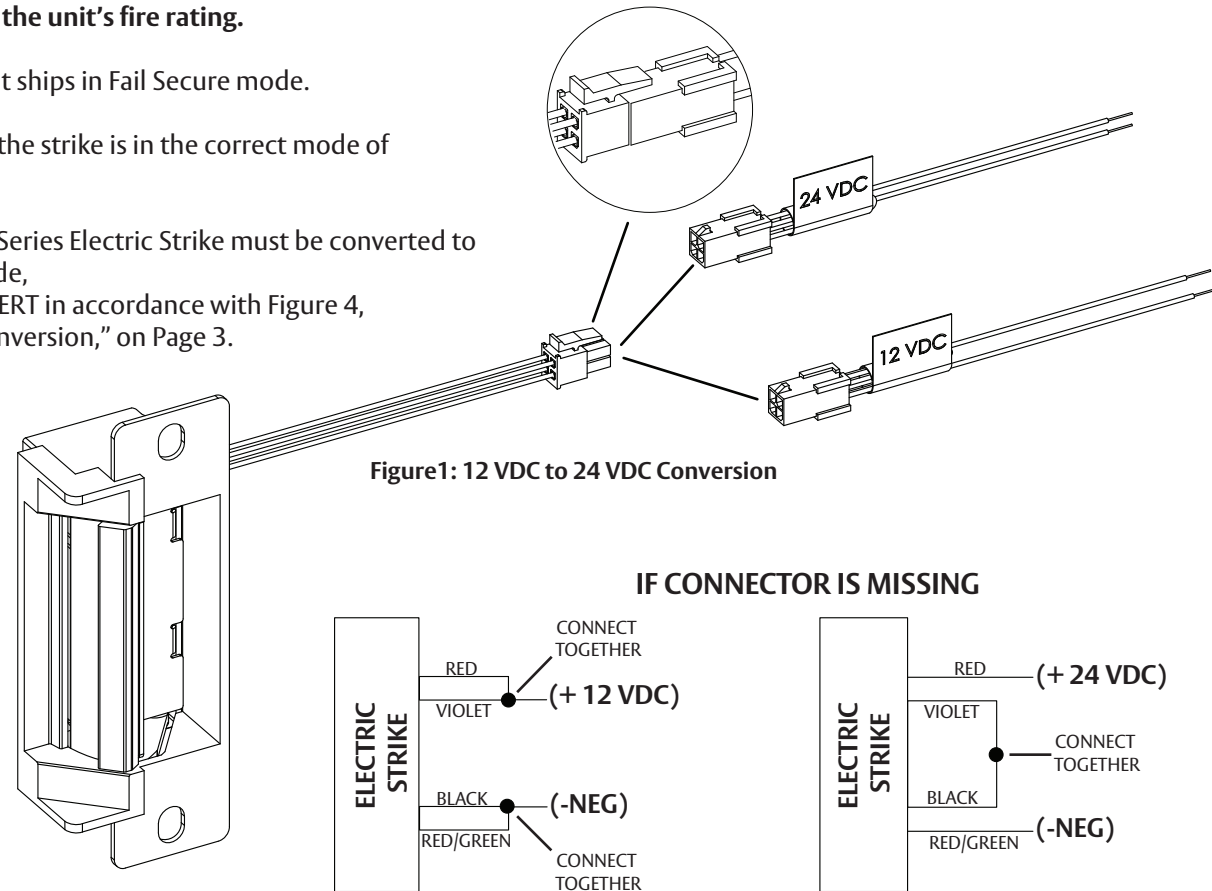


Figure 1: 12 VDC to 24 VDC Conversion

IF CONNECTOR IS MISSING

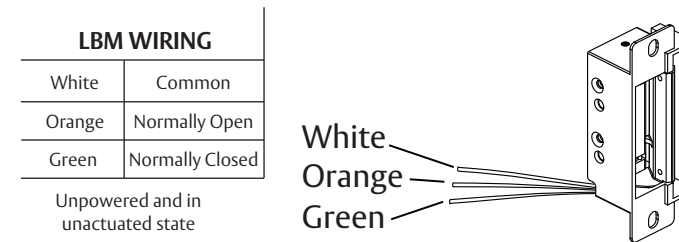
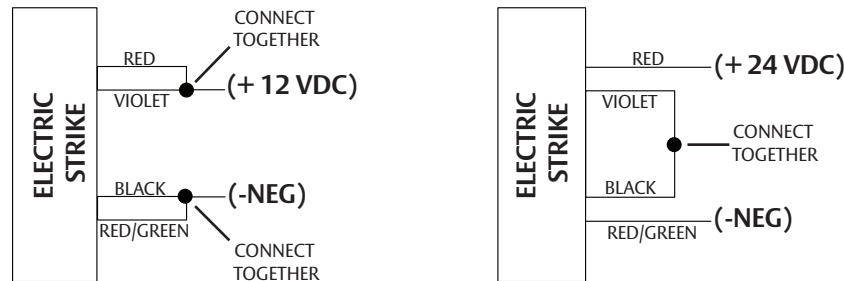


Figure 2: Latchbolt Monitor

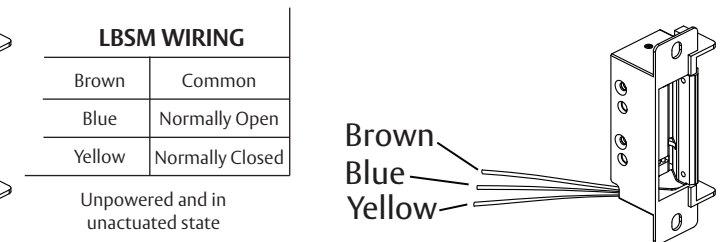


Figure 3: Strike Monitor

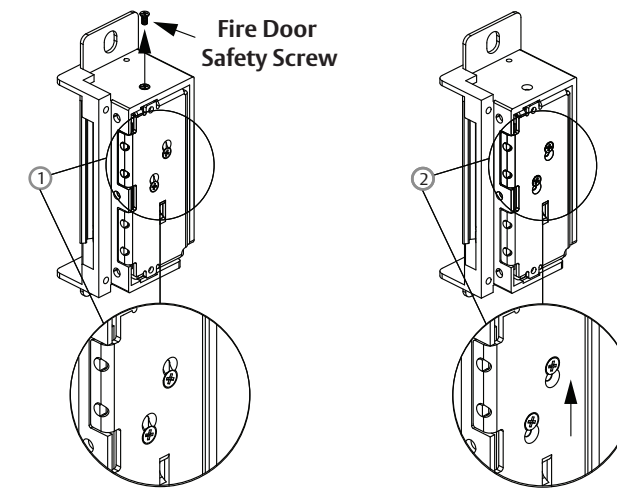


Figure 4: Fail Safe Conversion

NOTE 1: A Non-handed offset faceplate is provided for use with mortise locksets. The mortise lock deadlatch should be depressed by the faceplate when the door is closed.

NOTE 2: A Non-handed center-lined faceplate is provided for use with cylindrical locksets.

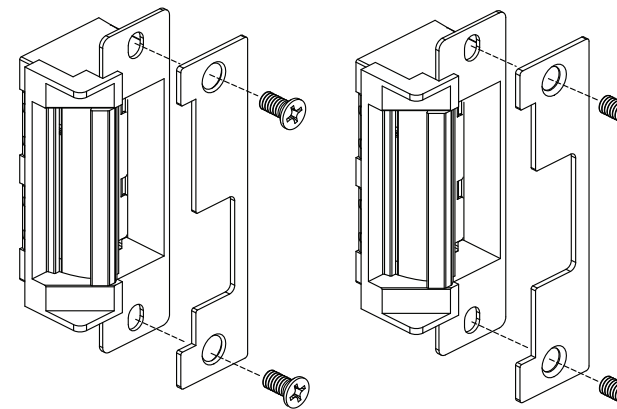


Figure 5: Faceplate Options

Converting the Operation Mode

10. REMOVE the Fire Door Safety Screw as shown in Figure 4.
11. LOOSEN the two #2-56 screws located on the back of the strike, but DO NOT REMOVE them.
12. MOVE screws from the bottom of the hole (Fail Secure mode position) to the top hole (Fail Safe mode position).
13. TIGHTEN the bottom screw first (wire side), and THEN TIGHTEN the top screw.
14. VERIFY the strike is now in the Fail Safe operation mode.
15. IF the strike still operates as Fail Secure, THEN ENSURE the screws are fully seated in the top position.

Adjusting the Horizontal

16. IF horizontal adjustment is needed, THEN ADD 1 or 2 keeper shims as shown in Figure 6, "Horizontal Adjustment."
 - a. USE the #4-40 x 1/8" keeper shim screws if adding one shim.
 - b. USE the #4-40 x 3/16" keeper shim screws if adding two shims.

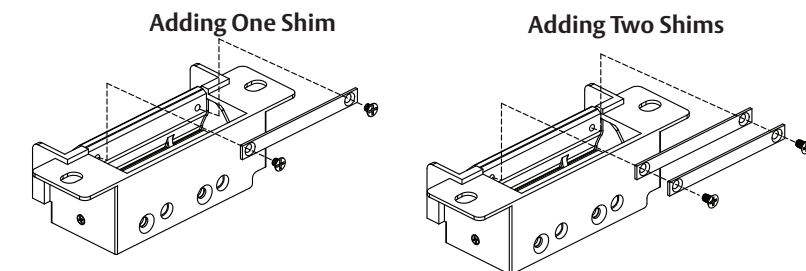


Figure 6: Horizontal Adjustment