



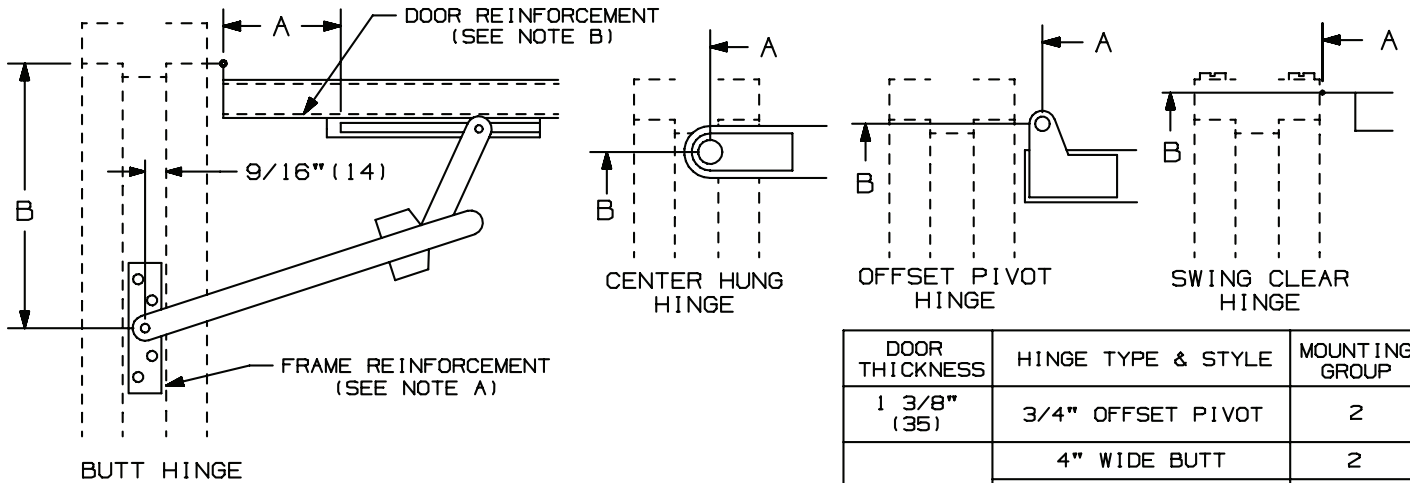
INST.81

Surface Overhead Holder

Installation Instructions

OVERHEAD HOLDERS OR STOPS MUST BE INSTALLED BEFORE CLOSERS

1. A. DETERMINE THE MOUNTING BEING USED FROM ILLUSTRATION BELOW.
- B. SELECT MOUNTING GROUP NUMBER FROM CHART BELOW. MOST CONTINUOUS HINGES ARE GROUPED WITH 4 1/2" WIDE BUTT OR 4 1/2" SWING CLEAR HINGE.
- C. USING THE MOUNTING GROUP NUMBER AND THE OVERHEAD HOLDER OR STOP SIZE AND THE DEGREE OF OPENING DESIRED, FIND "A" AND "B" DIMENSIONS FROM CHARTS STARTING ON PAGE 3. FOR DEAD STOP ADD 13/16" (21) TO THE "A" DIMENSION FROM THE CHART.



81 SERIES
PLAN MOUNTING VIEW
LH SHOWN

NOTES:

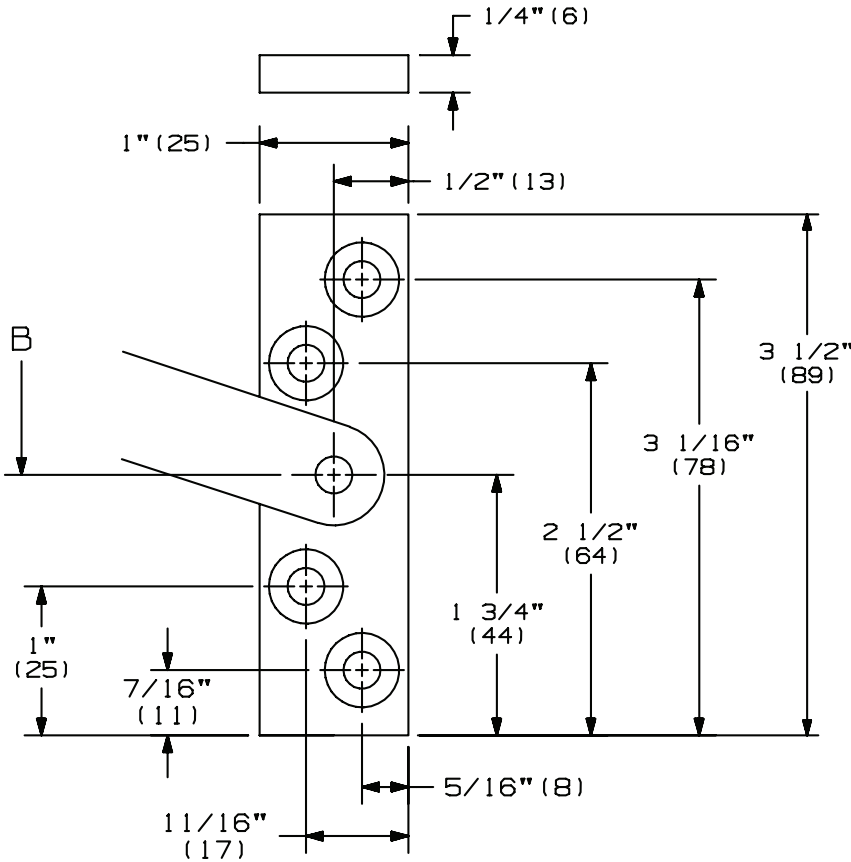
- A. HOLLOW METAL FRAMES SHOULD BE PROPERLY REINFORCED WITH A 3/16" (5) MINIMUM THICKNESS BY 12" (305) MINIMUM LENGTH PLATE.
- B. HOLLOW METAL DOORS SHOULD BE PROPERLY REINFORCED WITH A 3/16" (5) MINIMUM THICKNESS BY 2 1/2" (64) MINIMUM WIDTH PLATE.
- C. STOP ONLY UNITS ARE PERMITTED ON MANY FIRE DOOR APPLICATIONS. HOWEVER, MECHANICAL HOLD-OPEN DEVICES THAT REQUIRE MANUAL RELEASE ARE NOT PERMITTED FOR USE ON ANY FIRE DOOR AS OUTLINED ON NFPA80 ® OR NFPA101 ®. CONTACT GLYNN-JOHNSON OR YOUR LOCAL REPRESENTATIVE FOR ASSISTANCE.
- D. DEAD STOP (DS) TEMPLATING MAY BE USED ON HOLD-OPEN AND STOP ONLY MODELS. THE DS POSITION IS REACHED WHEN THE SHOCK SPRING IS FULLY COMPRESSED. WHEN DS TEMPLATING IS USED, THE INITIAL DEGREE OF STOP WILL BE 5-7 DEGREES LESS THAN THE DS OPENING. FOR USE ON DOORS OPENING BACK-TO-BACK AGAINST A WALL OR OBSTRUCTION.

DOOR THICKNESS	HINGE TYPE & STYLE	MOUNTING GROUP
1 3/8" (35)	3/4" OFFSET PIVOT	2
1 3/4" (44)	4" WIDE BUTT	2
	4 1/2" WIDE BUTT	1
	5" WIDE BUTT	1
	3/4" OFFSET PIVOT	1
	4" SWINGCLEAR	1
	4 1/2" SWINGCLEAR	2
	5" SWINGCLEAR	2
2" (51)	CENTERHUNG PIVOT	3
	4 1/2" WIDE BUTT	1
	5" WIDE BUTT	1
	3/4" OFFSET PIVOT	1
	4 1/2" SWINGCLEAR	1
	5" SWINGCLEAR	1
2 1/4" (57)	SOSS 220	1
	CENTERHUNG PIVOT	3
	4 1/2" WIDE BUTT	1
	5" WIDE BUTT	1
	3/4" OFFSET PIVOT	1
	4 1/2" SWINGCLEAR	1
2 1/4" (57)	5" SWINGCLEAR	1
	SOSS 220	1
	CENTERHUNG PIVOT	3
	4 1/2" SWINGCLEAR	1
	5" SWINGCLEAR	1

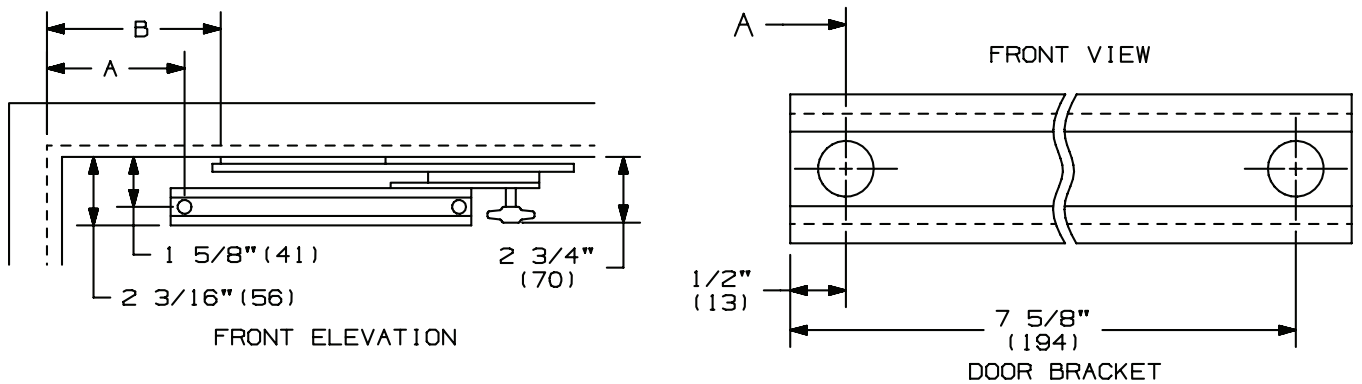
NOTE: DIMENSIONS IN () ARE MILLIMETERS

SCREW DETAILS			
	QTY	WOOD	METAL
JAMB	4	#14 x 1 1/2" FPHSMS	1/4"-20 x 3/4" FPHMS
DOOR (STD)	2	1/4"-20 x 1 1/4" OPHMS	1/4"-20 x 1 1/4" OPHMS
	2	1/4"-20 x 2 1/2" SEX BOLTS	1/4"-20 x 2 1/2" SEX BOLTS

2. A. LOCATE "B" DIMENSION ON THE STOP. NOTE THAT THE "B" DIMENSION IS MEASURED FROM THE CENTERLINE OF THE HINGE AS SHOWN.
- B. FOR METAL FRAMES, USE A #7 DRILL AND A 1/4"-20 TAP IN 4 PLACES. FOR WOOD FRAMES, DRILL A 3/16" PILOT HOLE IN 4 PLACES. MOUNTING HOLES SHOULD BE PREPARED IN THE FIELD.



3. A. LOCATE "A" DIMENSION ON THE DOOR. NOTE THAT THE "A" DIMENSION IS MEASURED FROM THE CENTERLINE OF THE HINGE AS SHOWN.
- B. DRILL THE 3/8" (10) DIAMETER HOLES DOWN 1 5/8" (41) FROM STOP. MOUNTING HOLES SHOULD BE PREPARED IN THE FIELD.



4. A. INSTALL JAMB BRACKET ON THE STOP.
- B. INSTALL THE CHANNEL ON THE DOOR WITH THE SHOCK SPRING TOWARDS THE HINGE EDGE OF THE DOOR.

NOTE: DIMENSIONS IN () ARE MILLIMETERS

MOUNTING GROUPS 1 & 2
81 SERIES SURFACE OVERHEAD STOP & HOLDER

CAUTION: "A" & "B" DIMENSIONS ARE MEASURED FROM THE
CENTERLINE OF PIVOT, NOT EDGE OF DOOR
FOR DEAD STOP ADD 13/16" (21) TO THE "A" DIMENSION
HO=HOLD-OPEN FOR HOLDERS, OPENING FOR STOPS

DIM	DEGREE	85 HO		90 HO		95 HO		100 HO		105 HO		110 HO	
		A	B	A	B	A	B	A	B	A	B	A	B
813	IN 27 1/16-33	9 3/16	8 15/16	8 5/8	8 3/8	8 1/8	7 7/8	7 1/8	7 1/2	7 3/8	7 1/8	7 1/16	6 13/16
	mm 687-638	233	227	219	213	206	200	181	191	187	181	179	173
814	IN 33 1/16-39	13 5/16	11 9/16	12 5/8	10 7/8	12	10 1/4	11 1/2	9 3/4	11 1/16	9 5/16	10 11/16	8 15/16
	mm 839-991	338	294	320	276	305	260	292	248	281	237	271	227
815	IN 39 1/16-45	17 15/16	14 3/8	17 1/8	13 9/16	16 3/8	12 13/16	15 3/4	12 3/16	15 1/4	11 11/16	14 3/4	11 3/16
	mm 992-1143	460	365	435	344	416	325	400	310	387	297	375	284
816	IN 45 1/16-54	20 9/16	16 1/16	20 5/8	15 1/8	18 7/8	14 3/8	18 1/8	13 5/8	17 1/2	13	17 1/16	12 9/16
	mm 114-1372	522	408	524	384	479	365	460	346	445	330	433	319
813	IN 27 1/16-33	9 7/16	9 3/16	8 13/16	8 9/16	8 7/16	8 3/16	8	7 3/4	7 5/8	7 3/8	7 5/16	7 1/16
	mm 687-638	240	233	224	217	214	208	203	197	194	187	190	179
814	IN 33 1/16-39	13 1/2	11 3/4	12 3/4	11	12 3/16	10 7/16	11 11/16	9 15/16	11 3/16	9 7/16	10 13/16	9 1/16
	mm 839-991	343	298	324	279	309	265	297	252	284	240	275	230
815	IN 39 1/16-45	18 1/8	14 9/16	17 1/4	13 11//16	16 9/16	13	15 15/16	12 3/8	15 3/8	11 13/16	14 7/8	11 5/16
	mm 992-1143	460	370	438	348	421	330	405	314	391	300	378	287
816	IN 45 1/16-54	20 3/4	16 1/4	19 13/16	15 5/16	19 1/16	14 9/16	18 3/8	13 7/8	17 3/4	13 1/4	17 1/4	12 3/4
	mm 1144-1372	527	413	503	389	484	370	467	352	451	337	438	324
		MOUNTING GROUP # 1						MOUNTING GROUP # 2					

NOTE: DIMENSIONS IN () ARE IN MILLIMETERS



MOUNTING GROUP 3
81 SERIES SURFACE OVERHEAD STOP & HOLDER

CAUTION: "A" & "B" DIMENSIONS ARE MEASURED FROM THE CENTERLINE OF PIVOT, NOT EDGE OF DOOR FOR DEAD STOP ADD 13/16" (21) TO THE "A" DIMENSION HO=HOLD-OPEN FOR HOLDERS, OPENING FOR STOPS

MOUNTING GROUP #	DEGREE	85 HO		90 HO		95 HO		100 HO		105 HO		110 HO	
		A	B	A	B	A	B	A	B	A	B	A	B
813	IN 33 1/16-39	9 15/16	9 11/16	9 3/8	9 1/16	8 13/16	8 11/16	8 1/2	8 1/4	7 13/16	7 7/8	7 13/16	7 9/16
	mm 839-991	253	246	240	230	224	221	220	210	206	200	198	192
814	IN 39 1/16-45	14	12 1/4	13 1/4	11 1/2	12 9/16	10 13/16	12 3/16	10 7/16	11 3/4	10	11 3/8	9 5/8
	mm 992-1143	360	311	340	292	319	275	309	265	298	254	290	244
815	IN 45 1/16-51	18 5/8	15 1/16	17 3/4	14 3/16	17 1/16	13 1/2	16 3/8	12 13/16	15 3/4	12 3/16	15 3/8	11 13/16
	mm 114-1295	473	383	451	360	433	343	420	325	400	310	390	300
816	IN 51 1/16-57	21 3/16	16 11/16	20 1/4	15 3/4	19 7/16	14 15/16	18 3/4	14 1/4	18 1/8	13 5/8	18 3/16	13 1/16
	mm 1296-1448	540	424	514	400	493	379	476	362	460	346	462	332

NOTE: DIMENSIONS IN () ARE IN MILLIMETERS

INST.81

