

FALCON®

T-Series

Service manual



Contents

4	Introduction	48	Parts and Accessories
4	Changes	48	Standard cylinders
5	Lock Assembly Index	49	IC cylinders
7	Chassis assemblies	50	Spindles
8	Passage latchset	51	Spring cage replacement kits
9	Privacy hospital lock	52	Levers
10	Closet lock	53	Latches
11	Closet lock – IC	54	Strikes and dust boxes
12	Classroom security lock	54	Miscellaneous parts and accessories
13	Classroom security lock – IC	55	Installation Instructions
14	Asylum lock	61	Warranty
15	Asylum lock – IC		
16	Entry lock		
17	Entry lock – IC		
18	Entry/office lock		
19	Entry/office lock – IC		
20	Office lock		
21	Office lock – IC		
22	Classroom lock		
23	Classroom lock – IC		
24	Dormitory lock		
25	Dormitory lock – IC		
26	Storeroom lock		
27	Storeroom lock – IC		
28	Storeroom lock (electrified – fail safe)		
29	Storeroom lock (electrified – fail safe) – IC		
30	Storeroom lock (electrified – fail secure)		
31	Storeroom lock (electrified – fail secure) – IC		
32	Trim assemblies		
33	Passage latchset		
34	Privacy hospital lock		
35	Privacy lock		
36	Closet lock		
37	Classroom security lock		
38	Asylum lock		
39	Entry lock		
40	Entry/office lock		
41	Office lock		
42	Classroom lock		
43	Dormitory lock		
44	Storeroom lock		
45	Storeroom lock (electrified – fail safe)		
46	Storeroom lock (electrified – fail secure)		
47	Dummy trim		

Introduction

This manual contains a complete listing of T-Series (Grade 1) cylindrical lock parts and assemblies manufactured by Falcon Lock. This edition lists components of T-Series locks manufactured after July 2007.

Exploded views of each lock chassis and trim assembly are provided with an accompanying chart to identify parts for replacement purposes. In addition, this manual provides general cylinder information, many auxiliary components of the T-Series cylindrical locks and installation instructions.

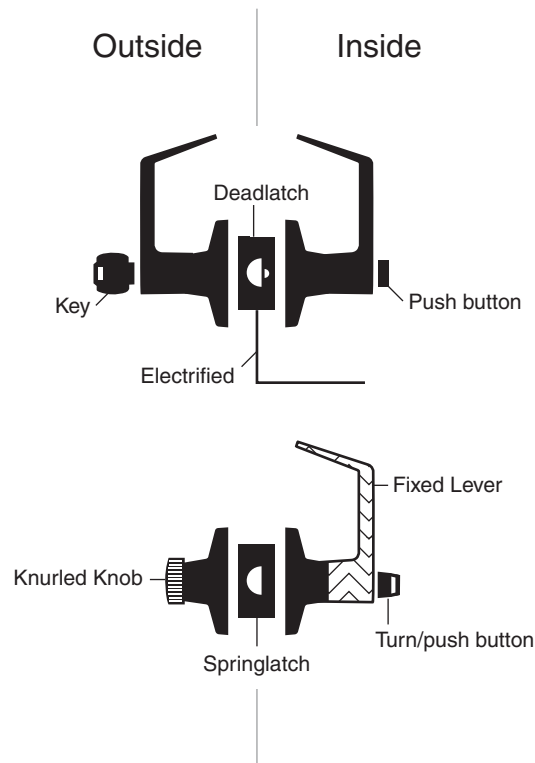
Standard features*

Certification	ANSI A156.2, Series 4000, Grade 1, UL Listed for 3-hour fire door.
Latch	1 $\frac{1}{8}$ " x 2 $\frac{1}{4}$ ", Square corner faceplate, 1" housing diameter, $\frac{1}{2}$ " throw.
Strike	1 $\frac{1}{4}$ " x 4 $\frac{7}{8}$ ", ANSI, Square corner, no box.
Backset	2 $\frac{3}{4}$ "
Cylinder	6-Pin solid brass, keyed 5-pin, Falcon G keyway, keyed different (KD)
Door Range	1 $\frac{3}{4}$ " – 2 $\frac{1}{8}$ " standard
Keys	Two nickel silver cut keys per lock, keyed 5-pin, Falcon G keyway

* Locks are furnished with standard features unless otherwise specified.

Lock assembly drawing index






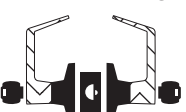


The lock assembly drawing index provides visual representations and textual descriptions of available functions. Page numbers for full trim and chassis drawings are referenced.



Changes

Standard square corner spring latches and dead latches are updated with new part numbers and illustrations (where applicable). Other miscellaneous updates include part number updates for T851, T851-IC, T881 and T881-IC chassis and IC cylinder tailpieces.

Lock Assembly Index

Function	ANSI A156.2, 1996, Series 4000, Grade 1			Trim	Chassis
Falcon ANSI	Description	Outside function	Inside function		
T101 F75 	Passage/closet latch	Lever is always unlocked.	Lever is always unlocked and is always free for immediate egress.	33	8
T291 	Privacy hospital lock	Latch bolt retracted by lever unless locked by inside push-button. Unlocked from outside by turning emergency release turn-button.	Push-button locks outside lever. Turning inside lever or closing door releases push-button. Inside lever is always free for immediate egress.	34	9
T301 F76 	Privacy lock	Can be opened from outside with small screwdriver or emergency release tool.	Push-button locks outside lever. Turning inside lever or closing door releases push-button. Inside lever is always free for immediate egress.	35	9
T351 	Closet lock	Latch bolt retracted by lever except when locked by key.	Knurled knob free for immediate egress unless outside lever locked by key.	36	10 11 (IC)
T381 F88 	Classroom security lock	Latch bolt is retracted by key in outside lever when locked by key from inside. Outside key only retracts latch bolt.	Key locks or unlocks outside lever. Inside lever is always unlocked and is always free for immediate egress.	37	12 13 (IC)
T411 F87 	Asylum lock*	Lever is fixed. Entrance by key only.	Lever is fixed. Exit by key only.	38	14 15 (IC)
T501 F82 	Entry lock	Lever is unlocked by key when inside push-button is pushed. Key does not lock the lock.	Push-button locks outside lever. Turning inside lever releases button. Inside lever is always free for immediate egress.	39	16 17 (IC)
T511 F109 	Entry/office lock	Turn/push-button: Outside lever is locked when inside turn/push-button is pushed and turned. Key is required to retract latch bolt until inside turn/push-button is manually unlocked. Push-button: Outside lever is locked when inside push-button is pushed until unlocked by key outside or by rotating inside lever. Key does not lock the lock.	Turn/push-button: Pushing and turning button locks outside lever until manually unlocked. Push-button: Pushing button locks outside lever until unlocked by turning inside lever. Inside always free for immediate egress.	40	18 19 (IC)

NOTE: Any function with deadlatch locks latchbolt when door is closed.

* Caution: Double cylinder locks on residences, and any door in any structure, which is used for egress are a life safety hazard in times of emergency and their use is not recommended. Installation should be in accordance with existing codes only,

Lock Assembly Index

Function		ANSI A156.2, 1996, Series 4000, Grade 1			Trim	Chassis
Falcon	ANSI	Description	Outside function	Inside function		
T521	F81	Office lock	Key retracts latch bolt when inside turn button is turned. Key does not lock the lock.	Turning button locks outside lever until manually unlocked. Inside always free for immediate egress.	41	20 21 (IC)
T561	F84	Classroom lock	Outside lever locked or unlocked by key.	Inside lever is always unlocked and always free for immediate egress.	42	22 23 (IC)
T571	F90	Dormitory/corridor lock	Outside lever locked or unlocked by key. When locked by key it can only be unlocked by key.	Push-button locks outside lever. Turning lever or closing door releases button. Inside lever is always unlocked and is always free for immediate egress.	43	24 25 (IC)
T581	F86	Storeroom lock	Lever is fixed. Entrance by key only.	Inside lever is always unlocked and is always free for immediate egress.	44	26 27 (IC)
T851		Storeroom lock (electrified – fail safe)	Lever is continuously locked electrically. Latch bolt retracted by lever when unlocked by switch or power failure. When locked, key retracts latch.	Inside lever is always unlocked and is always free for immediate egress.	45	28 29 (IC)
T881		Storeroom lock (electrified – fail secure)	Lever is continuously locked mechanically until unlocked by electric current. When locked, key retracts latch.	Inside lever is always unlocked and is always free for immediate egress.	46	30 31 (IC)
T12		Dummy trim	Single trim, surface mounted rigid lever.		47	

NOTE: Any function with deadlatch locks latchbolt when door is closed.

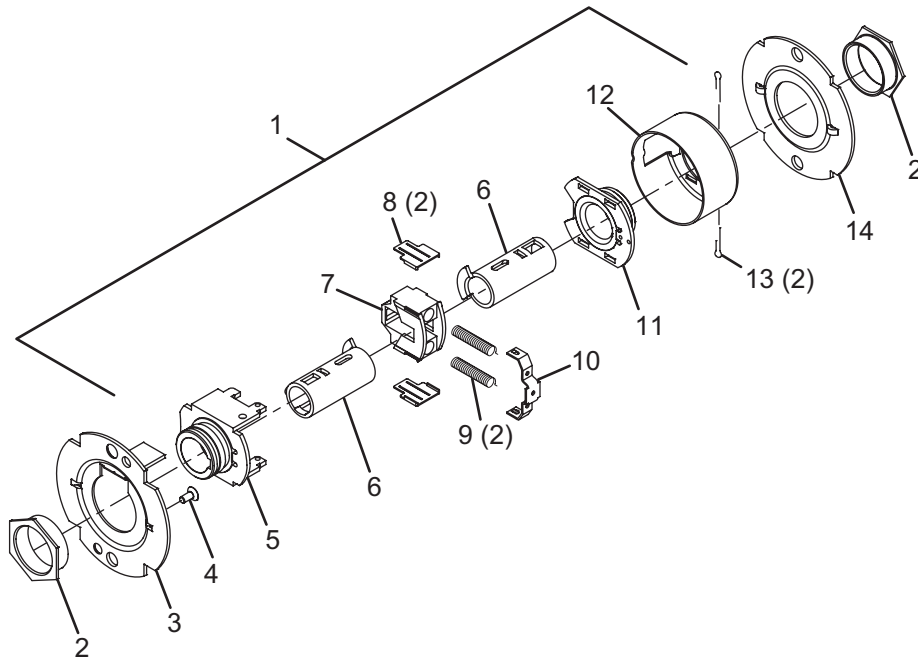
* Caution: Double cylinder locks on residences, and any door in any structure, which is used for egress are a life safety hazard in times of emergency and their use is not recommended. Installation should be in accordance with existing codes only,

Chassis assemblies

- 8 Passage latchset
- 9 Privacy hospital lock
- 10 Closet lock
- 11 Closet lock – IC
- 12 Classroom security lock
- 13 Classroom security lock – IC
- 14 Asylum lock
- 15 Asylum lock – IC
- 16 Entry lock
- 17 Entry lock – IC
- 18 Entry/office lock
- 19 Entry/office lock – IC
- 20 Office lock
- 21 Office lock – IC
- 22 Classroom lock
- 23 Classroom lock – IC
- 24 Dormitory lock
- 25 Dormitory lock – IC
- 26 Storeroom lock
- 27 Storeroom lock – IC
- 28 Storeroom lock (electrified – fail safe)
- 29 Storeroom lock (electrified – fail safe) – IC
- 30 Storeroom lock (electrified – fail secure)
- 31 Storeroom lock (electrified – fail secure) – IC

Passage latchset

T101

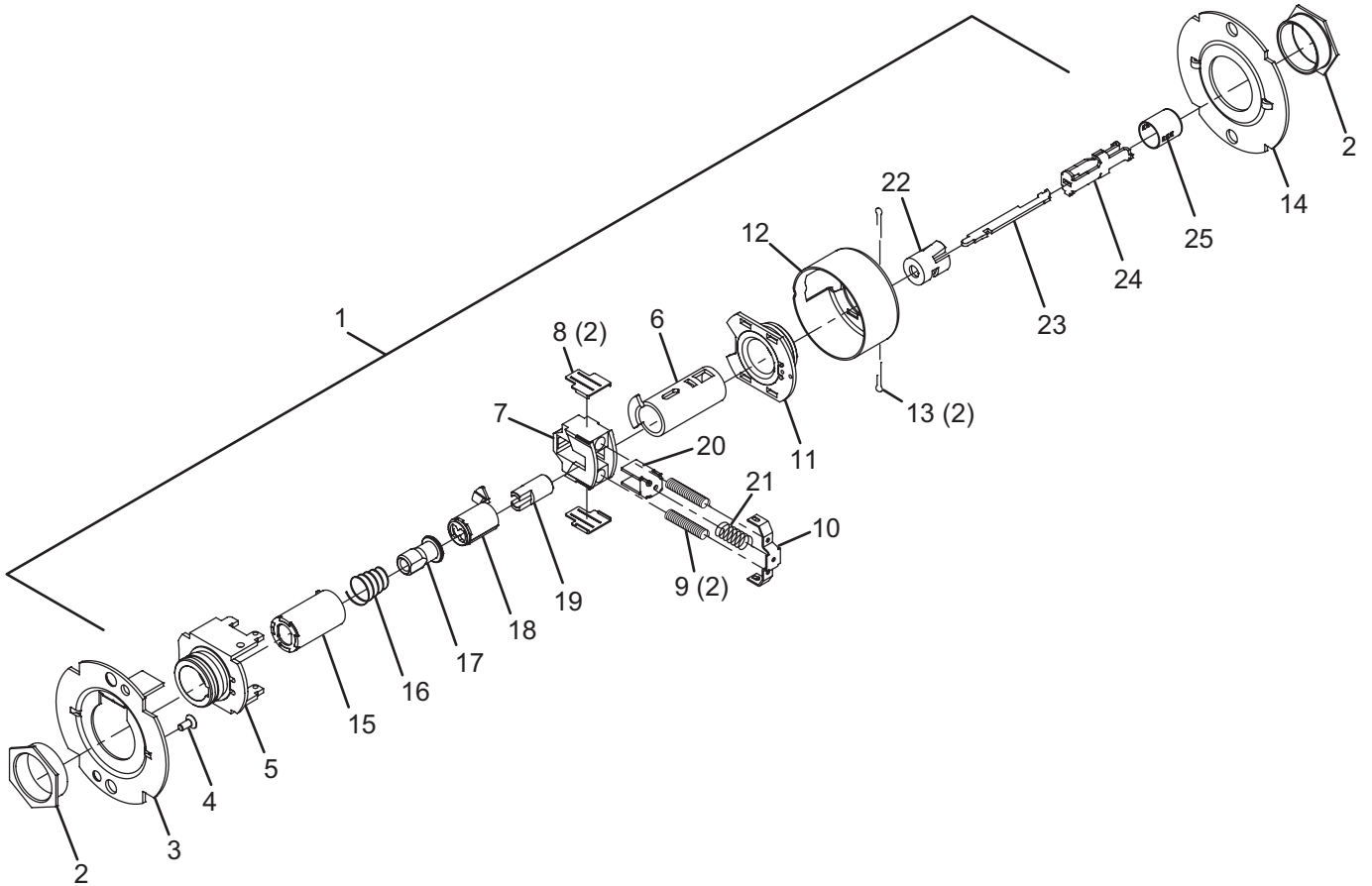


No.	Description	Part number
1	Chassis assembly, T101	A30761-000-00
2	Flanged nut (2)	030726-000-30
3	Outer mounting plate	030712-001-30
4	#8-32 x 3/8" self tap screw	031533-006-30
5	Hub and housing assembly	A30746-000-00
6	Spindle	030733-000-55
7	Retractor	022106-002-55

No.	Description	Part number
8	Retractor insert (2)	022986-001-50
9	Retractor spring (2)	24064511
10	Retractor spring retainer	022112-000-30
11	Hub and plate assembly	A30747-000-00
12	Housing case	24061772
13	Cotter pin (2)	002893-000-60
14	Inner mounting plate	030712-000-30

Privacy hospital lock

T291/T301



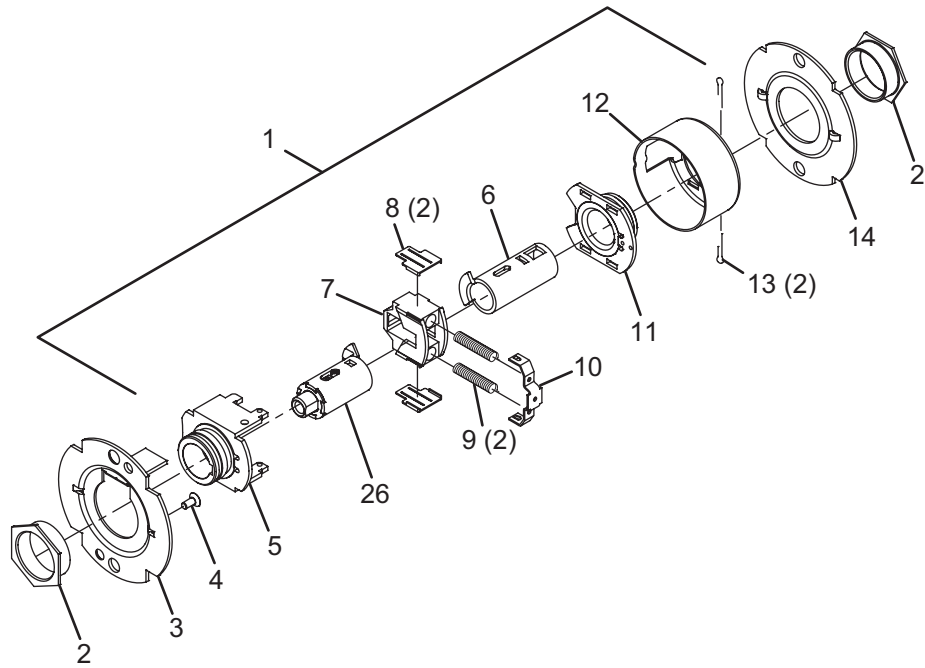
No.	Description	Part number
1	Chassis assembly, T291/T301	A30765-000-00
2	Flanged nut (2)	030726-000-30
3	Outer mounting plate	030712-001-30
4	#8-32 x 3/8" self tap screw	031533-006-30
5	Hub and housing assembly	A30746-000-00
6	Spindle	030733-000-55
7	Retractor	022106-002-55
8	Retractor insert (2)	022986-001-50
9	Retractor spring (2)	24064511
10	Retractor spring retainer	022112-000-30
11	Hub and plate assembly	A30747-000-00
12	Housing case	24061772

No.	Description	Part number
13	Cotter pin (2)	002893-000-60
14	Inner mounting plate	030712-000-30
15	Spindle, 1 ear, outer	030732-005-30
16	Clutch spring	030709-000-60
17	Clutch driver	030716-001-30
18	Key spindle, standard	030718-000-30
19	Push actuator	030711-000-30
20	Slide catch	022105-000-30
21	Slide catch spring	24064529
22	Push button sleeve	022134-000-50
23	Dogging bar	030722-000-30
24	Push/turn button mount	030731-000-30
25	Push button cap	030728-000*

* Specify finish.

Closet lock

T351



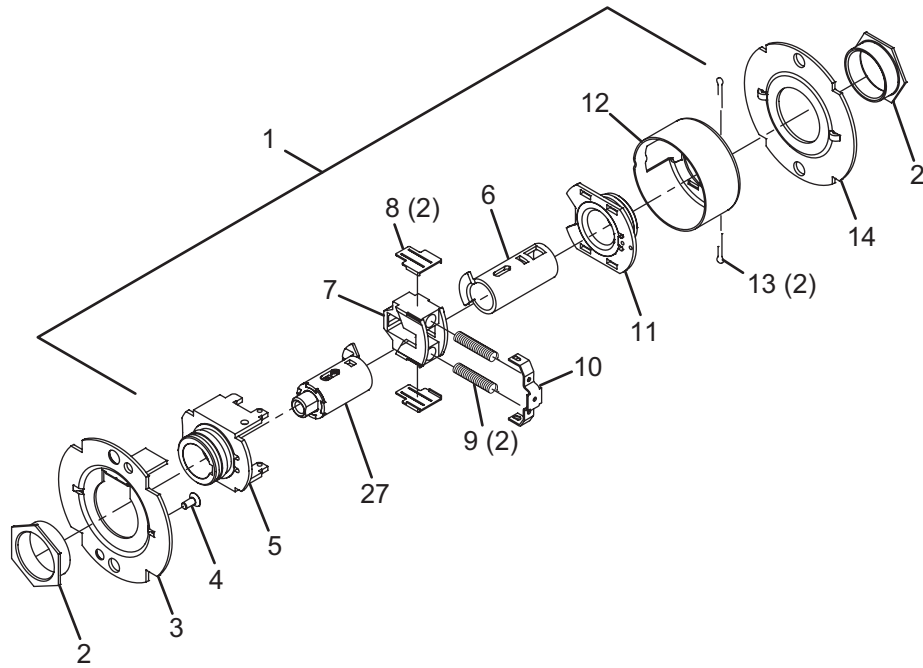
No.	Description	Part number
1	Chassis assembly, T351/T561	A30758-000-00
2	Flanged nut (2)	030726-000-30
3	Outer mounting plate	030712-001-30
4	#8-32 x 3/8" self tapping screw	031533-006-30
5	Hub and housing assembly	A30746-000-00
6	Spindle	030733-000-55
7	Retractor	022106-002-55
8	Retractor insert (2)	022986-001-50

No.	Description	Part number
9	Retractor spring (2)	24064511
10	Retractor spring retainer	022112-000-30
11	Hub and plate assembly	A30747-000-00
12	Housing case	24061772
13	Cotter pin (2)	002893-000-60
14	Inner mounting plate	030712-000-30
26	Key spindle assembly, standard	A30780-000-30

Chassis assemblies

Closet lock – IC

T351

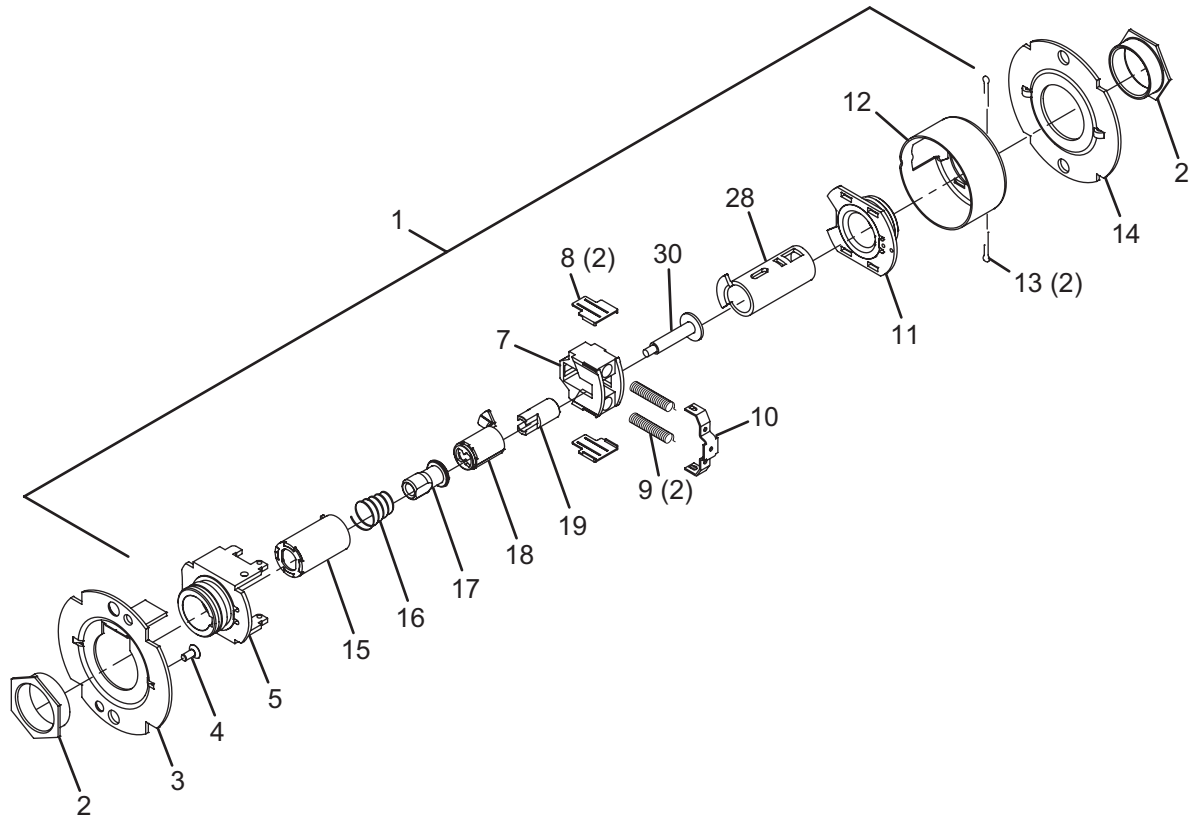


No.	Description	Part number
1	Chassis assembly, T351/T561-IC	A30758-001-00
2	Flanged nut (2)	030726-000-30
3	Outer mounting plate	030712-001-30
4	#8-32 x 3/8" self tapping screw	031533-006-30
5	Hub and housing assembly	A30746-000-00
6	Spindle	030733-000-55
7	Retractor	022106-002-55
8	Retractor insert (2)	022986-001-50

No.	Description	Part number
9	Retractor spring (2)	24064511
10	Retractor spring retainer	022112-000-30
11	Hub and plate assembly	A30747-000-00
12	Housing case	24061772
13	Cotter pin (2)	002893-000-60
14	Inner mounting plate	030712-000-30
27	Key spindle assembly, IC	A30780-001-30

Classroom security lock

T381

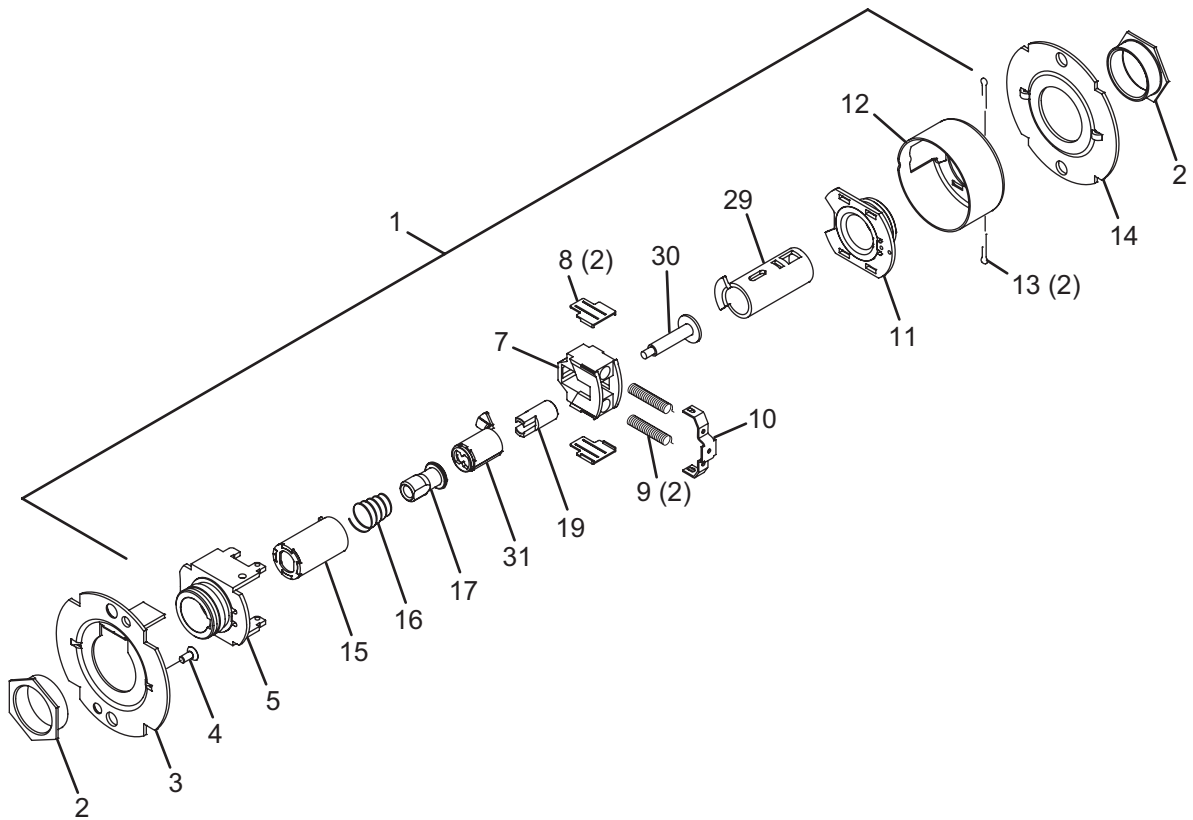


No.	Description	Part number
1	Chassis assembly, T381	A30767-000-00
2	Flanged nut (2)	030726-000-30
3	Outer mounting plate	030712-001-30
4	#8-32 x 3/8" self tapping screw	031533-006-30
5	Hub and housing assembly	A30746-000-00
7	Retractor	022106-002-55
8	Retractor insert (2)	022986-001-50
9	Retractor spring (2)	24064511
10	Retractor spring retainer	022112-000-30
11	Hub and plate assembly	A30747-000-00

No.	Description	Part number
12	Housing case	24061772
13	Cotter pin (2)	002893-000-60
14	Inner mounting plate	030712-000-30
15	Spindle, 1 ear, outer	030732-005-30
16	Clutch spring	030709-000-60
17	Clutch driver	030716-001-30
18	Key spindle, standard	030718-000-30
19	Push actuator	030711-000-30
28	Key spindle assembly, inside, standard	A30913-000-00
30	Connecting rod	030734-000-30

Classroom security lock – IC

T381

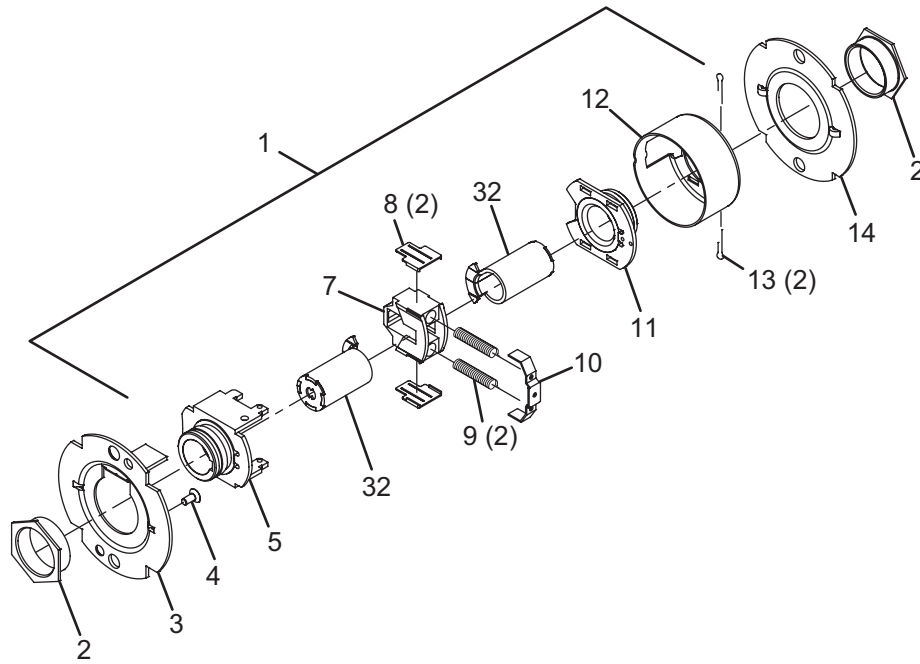


No.	Description	Part number
1	Chassis assembly, T381	A30767-001-00
2	Flanged nut (2)	030726-000-30
3	Outer mounting plate	030712-001-30
4	#8-32 x 3/8" self tapping screw	031533-006-30
5	Hub and housing assembly	A30746-000-00
7	Retractor	022106-002-55
8	Retractor insert (2)	022986-001-50
9	Retractor spring (2)	24064511
10	Retractor spring retainer	022112-000-30
11	Hub and plate assembly	A30747-000-00

No.	Description	Part number
12	Housing case	24061772
13	Cotter pin (2)	002893-000-60
14	Inner mounting plate	030712-000-30
15	Spindle, 1 ear, outer	030732-005-30
16	Clutch spring	030709-000-60
17	Clutch driver	030716-001-30
19	Push actuator	030711-000-30
29	Key spindle assembly, inside, IC	A30913-001-00
30	Connecting rod	030734-000-30
31	Key Spindle, IC	030718-001-30

Asylum lock

T411

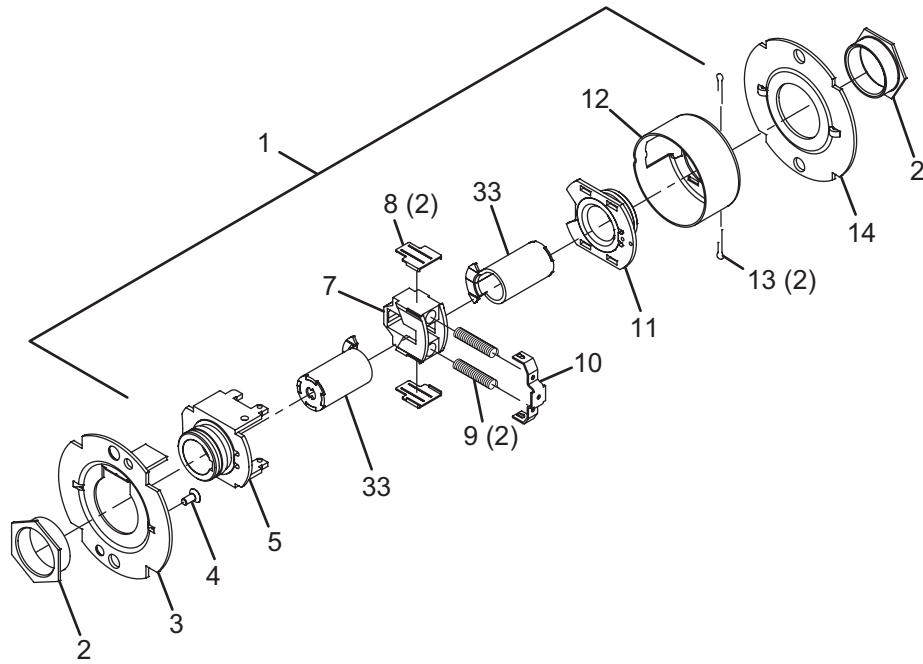


No.	Description	Part number
1	Chassis assembly, T411	A30769-000-00
2	Flanged nut (2)	030726-000-30
3	Outer mounting plate	030712-001-30
4	#8-32 x 3/8" self tapping screw	031533-006-30
5	Hub and housing assembly	A30746-000-00
7	Retractor	022106-002-55
8	Retractor insert (2)	022986-001-50

No.	Description	Part number
9	Retractor spring (2)	24064511
10	Retractor spring retainer	022112-000-30
11	Hub and plate assembly	A30747-000-00
12	Housing case	24061772
13	Cotter pin (2)	002893-000-60
14	Inner mounting plate	030712-000-30
32	Spindle, 2 ear, standard	030732-000-30

Asylum lock – IC

T411

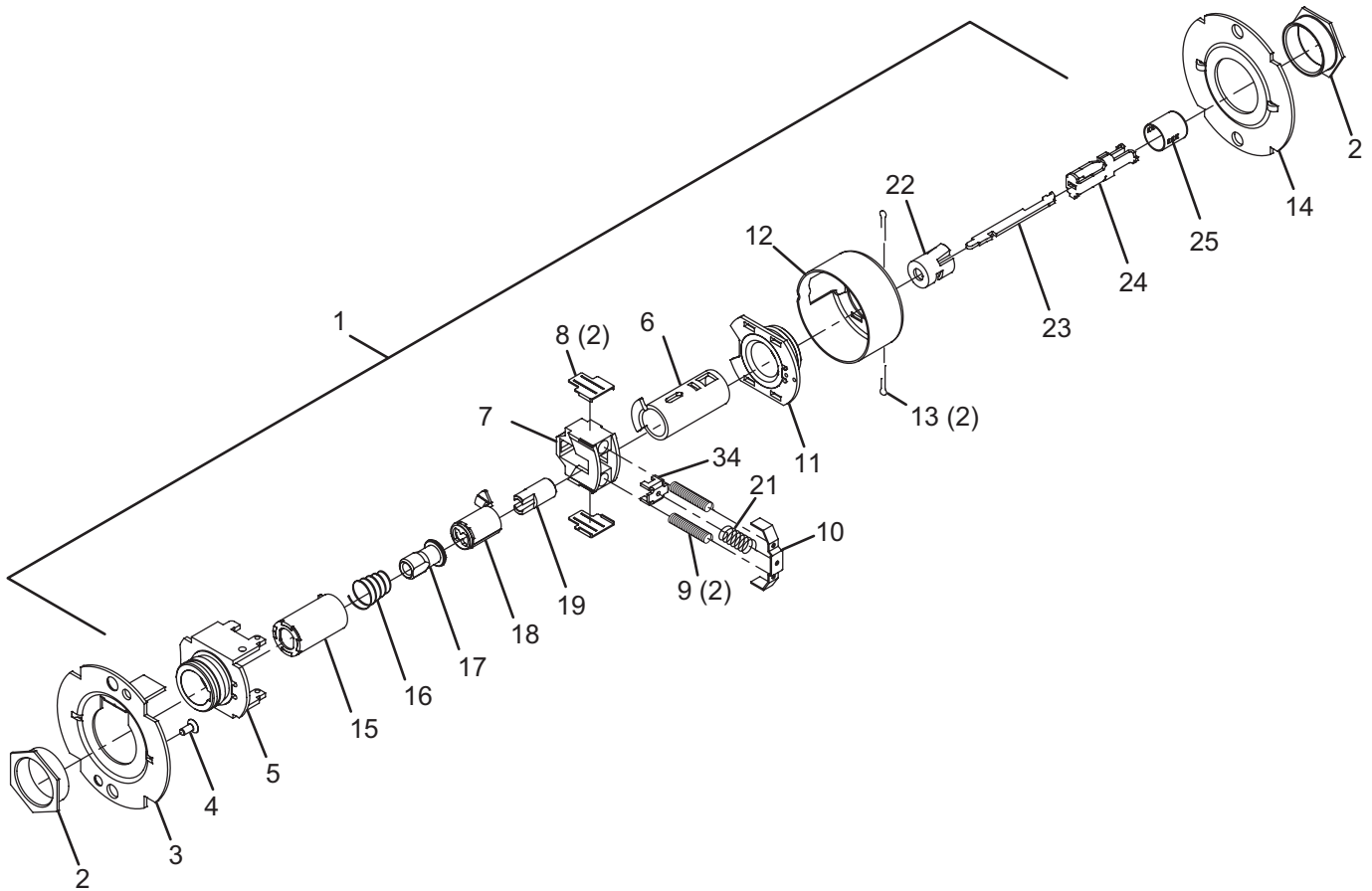


No.	Description	Part number
1	Chassis assembly, T411-IC	A30769-001-00
2	Flanged nut (2)	030726-000-30
3	Outer mounting plate	030712-001-30
4	#8-32 x 3/8" self tapping screw	031533-006-30
5	Hub and housing assembly	A30746-000-00
7	Retractor	022106-002-55
8	Retractor insert (2)	022986-001-50

No.	Description	Part number
9	Retractor spring (2)	24064511
10	Retractor spring retainer	022112-000-30
11	Hub and plate assembly	A30747-000-00
12	Housing case	24061772
13	Cotter pin (2)	002893-000-60
14	Inner mounting plate	030712-000-30
33	Spindle, 2 ear, IC	030732-001-30

Entry lock

T501



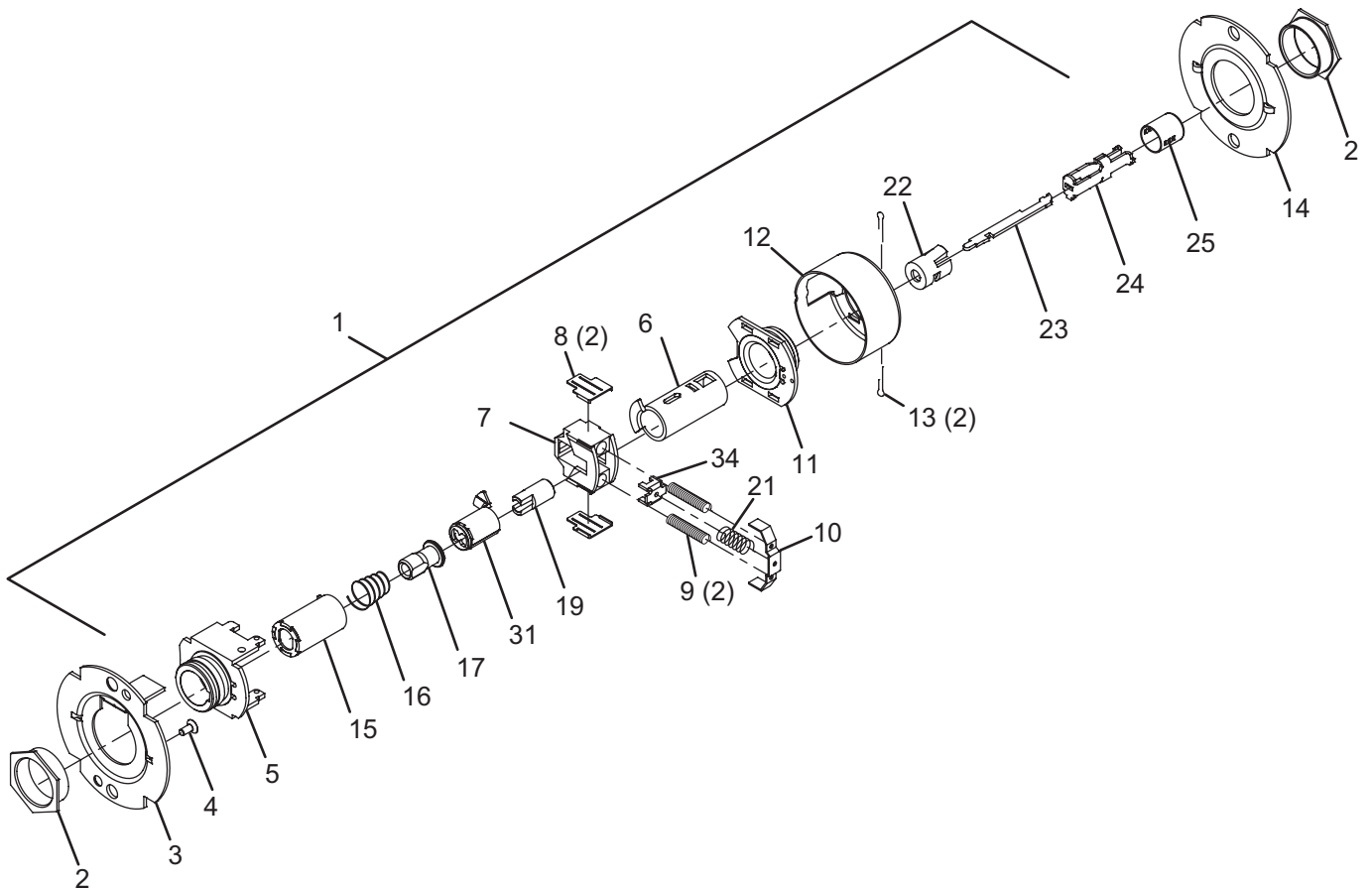
No.	Description	Part number
1	Chassis assembly, T501	A30773-000-00
2	Flanged nut (2)	030726-000-30
3	Outer mounting plate	030712-001-30
4	#8-32 x 3/8" self tapping screw	031533-006-30
5	Hub and housing assembly	A30746-000-00
6	Spindle	030733-000-55
7	Retractor	022106-002-55
8	Retractor insert (2)	022986-001-50
9	Retractor spring (2)	24064511
10	Retractor spring retainer	022112-000-30
11	Hub and plate assembly	A30747-000-00
12	Housing case	24061772
13	Cotter pin (2)	002893-000-60

No.	Description	Part number
14	Inner mounting plate	030712-000-30
15	Spindle, 1 ear, outer	030732-005-30
16	Clutch spring	030709-000-60
17	Clutch driver	030716-001-30
18	Key spindle std	030718-000-30
19	Push actuator	030711-000-30
21	Slide catch spring	24064529
22	Push button sleeve	022134-000-50
23	Dogging Bar	030722-000-30
24	Push/turn button mount	030731-000-30
25	Push button cap	030728-000*
34	Short slide catch	022104-000-30

* Specify finish.

Entry lock – IC

T501



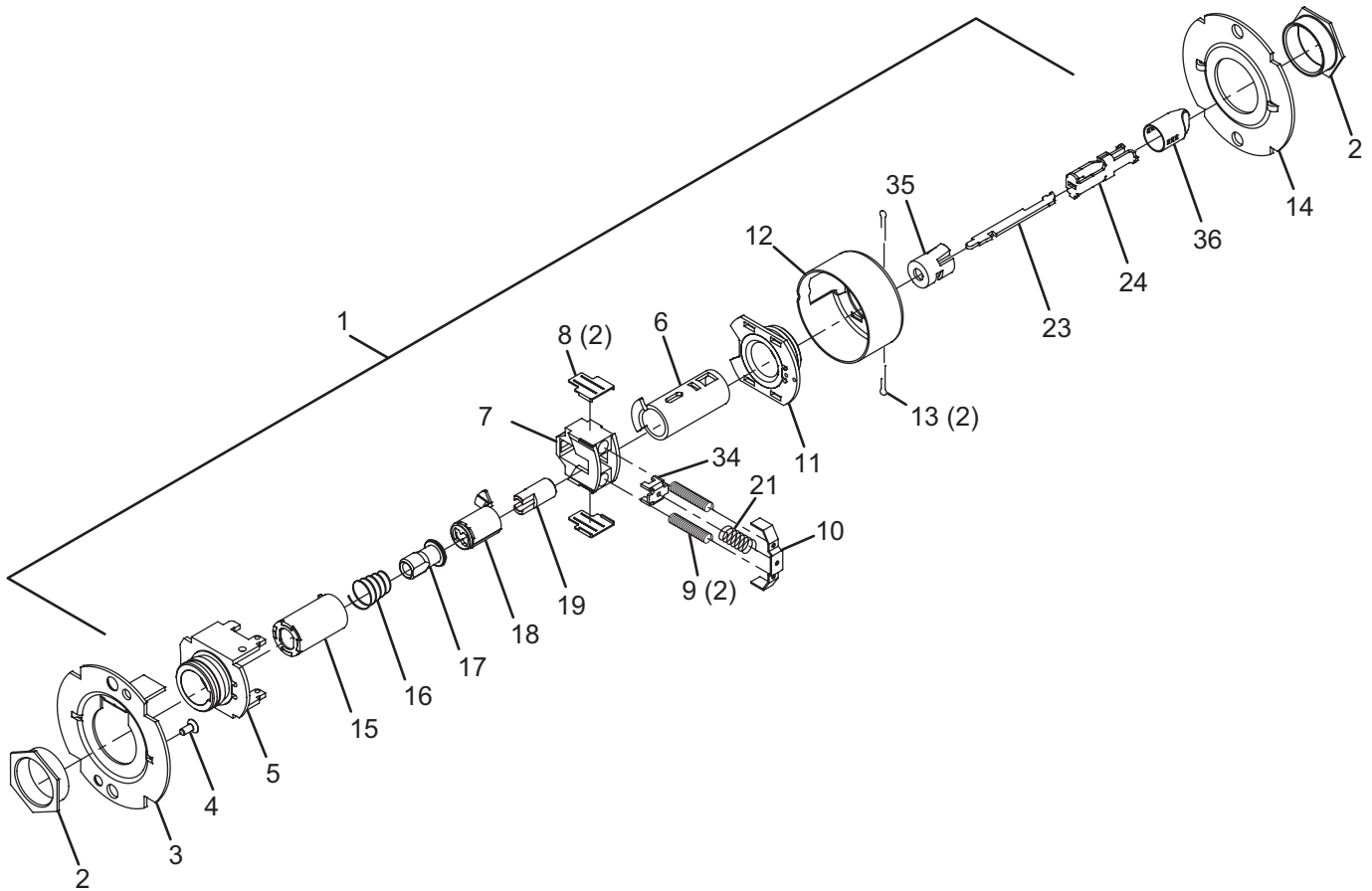
No.	Description	Part number
1	Chassis assembly, T501-IC	A30773-001-00
2	Flanged nut (2)	030726-000-30
3	Outer mounting plate	030712-001-30
4	#8-32 x 3/8" self tapping screw	031533-006-30
5	Hub and housing assembly	A30746-000-00
6	Spindle	030733-000-55
7	Retractor	022106-002-55
8	Retractor insert (2)	022986-001-50
9	Retractor spring (2)	24064511
10	Retractor spring retainer	022112-000-30
11	Hub and plate assembly	A30747-000-00
12	Housing case	24061772
13	Cotter pin (2)	002893-000-60

No.	Description	Part number
14	Inner mounting plate	030712-000-30
15	Spindle, 1 ear, outer	030732-005-30
16	Clutch spring	030709-000-60
17	Clutch driver	030716-001-30
19	Push actuator	030711-000-30
21	Slide catch spring	24064529
22	Push button sleeve	022134-000-50
23	Dogging bar	030722-000-30
24	Push/turn button mount	030731-000-30
25	Push button cap	030728-000*
31	Key spindle, IC	030718-001-30
34	Short slide catch	022104-000-30

* Specify finish.

Entry/office lock

T511



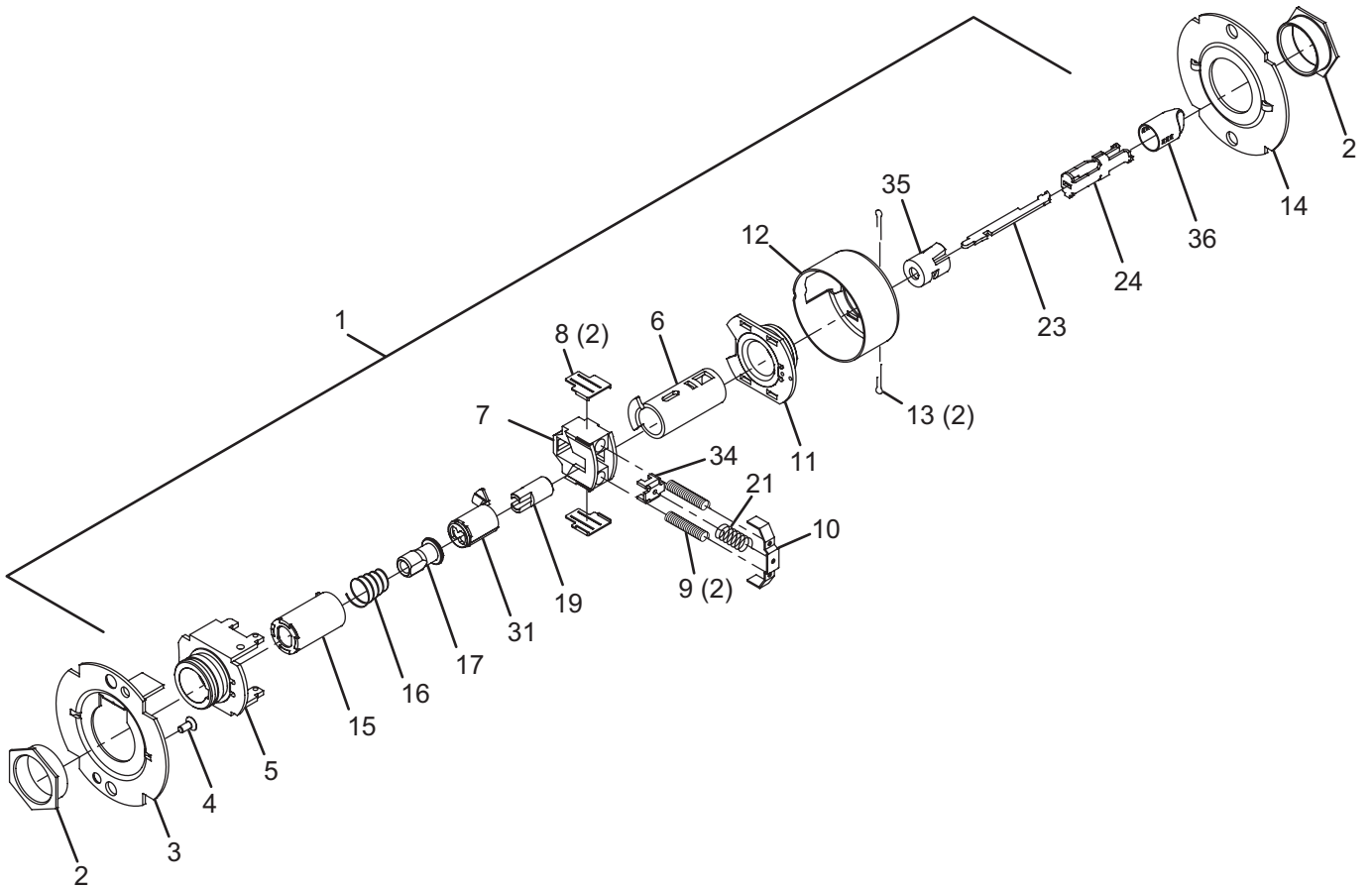
No.	Description	Part number
1	Chassis assembly, T511	A30756-000-00
2	Flanged nut (2)	030726-000-30
3	Outer mounting plate	030712-001-30
4	#8-32 x 3/8" self tapping screw	031533-006-30
5	Hub and housing assembly	A30746-000-00
6	Spindle	030733-000-55
7	Retractor	022106-002-55
8	Retractor insert (2)	022986-001-50
9	Retractor spring (2)	24064511
10	Retractor spring retainer	022112-000-30
11	Hub and plate assembly	A30747-000-00
12	Housing case	24061772

No.	Description	Part number
13	Cotter pin (2)	002893-000-60
14	Inner mounting plate	030712-000-30
15	Spindle, 1 ear, outer	030732-005-30
16	Clutch spring	030709-000-60
17	Clutch driver	030716-001-30
18	Key spindle, standard	030718-000-30
19	Push actuator	030711-000-30
21	Slide catch spring	24064529
23	Dogging bar	030722-000-30
24	Push/turn button mount	030731-000-30
34	Short slide catch	022104-000-30
35	Turn button sleeve	022133-000-50
36	Turn button cap	030727-000*

* Specify finish.

Entry/office lock – IC

T511



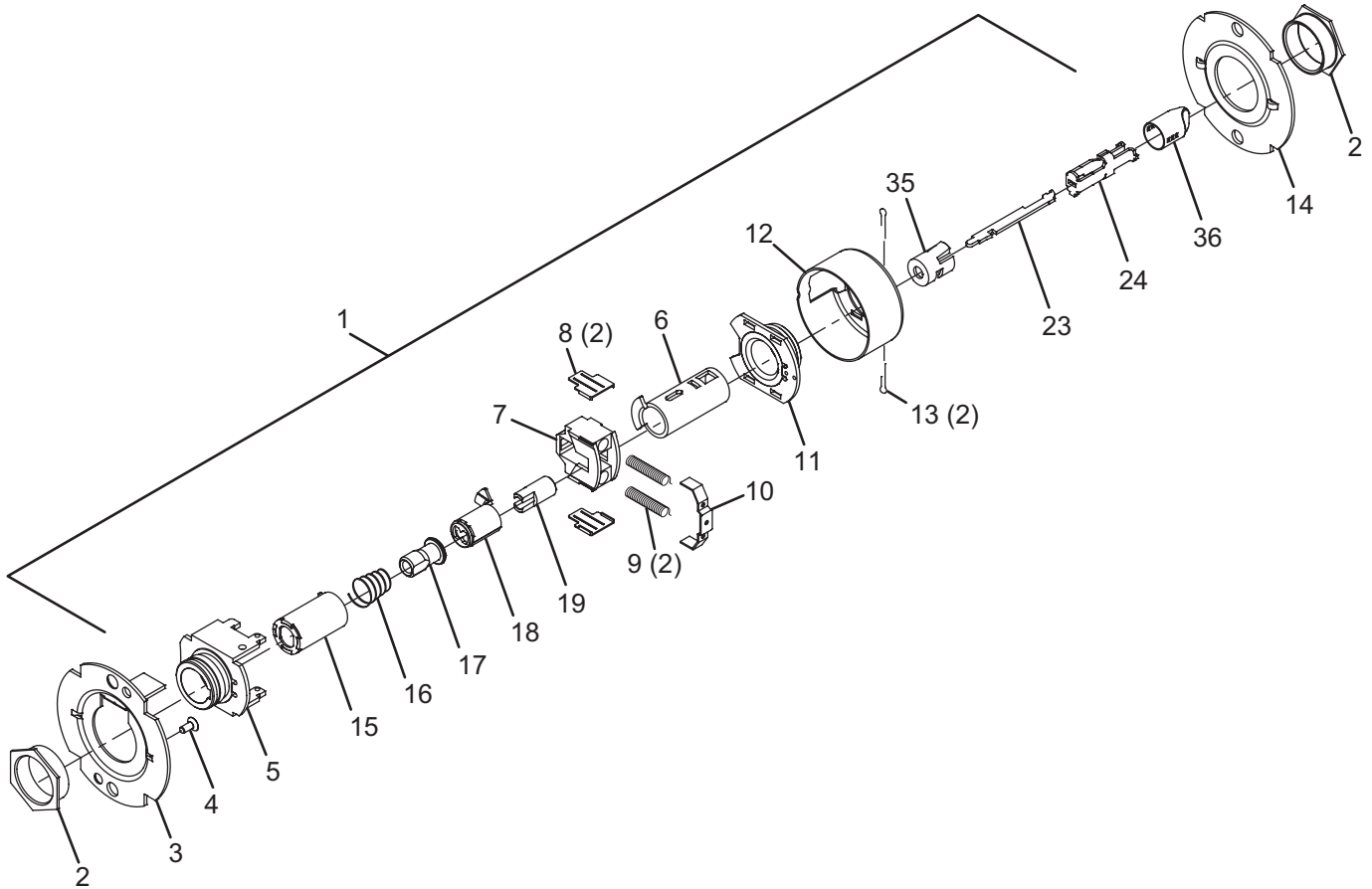
No.	Description	Part number
1	Chassis assembly, T511-IC	A30756-001-00
2	Flanged nut (2)	030726-000-30
3	Outer mounting plate	030712-001-30
4	#8-32 x 3/8" self tapping screw	031533-006-30
5	Hub and housing assembly	A30746-000-00
6	Spindle	030733-000-55
7	Retractor	022106-002-55
8	Retractor insert (2)	022986-001-50
9	Retractor spring (2)	24064511
10	Retractor spring retainer	022112-000-30
11	Hub and plate assembly	A30747-000-00
12	Housing case	24061772
13	Cotter pin (2)	002893-000-60

No.	Description	Part number
14	Inner mounting plate	030712-000-30
15	Spindle, 1 ear, outer	030732-005-30
16	Clutch spring	030709-000-60
17	Clutch driver	030716-001-30
19	Push actuator	030711-000-30
21	Slide catch spring	24064529
23	Dogging bar	030722-000-30
24	Push/turn button mount	030731-000-30
31	Key spindle, IC	030718-001-30
34	Short slide catch	022104-000-30
35	Turn button sleeve	022133-000-50
36	Turn button cap	030727-000*

* Specify finish.

Office lock

T521



No.	Description	Part number
1	Chassis assembly, T521	A30748-000-00
2	Flanged nut (2)	030726-000-30
3	Outer mounting plate	030712-001-30
4	#8-32 x 3/8" self tapping screw	031533-006-30
5	Hub and housing assembly	A30746-000-00
6	Spindle	030733-000-55
7	Retractor	022106-002-55
8	Retractor insert (2)	022986-001-50
9	Retractor spring (2)	24064511
10	Retractor spring retainer	022112-000-30
11	Hub and plate assembly	A30747-000-00
12	Housing case	24061772

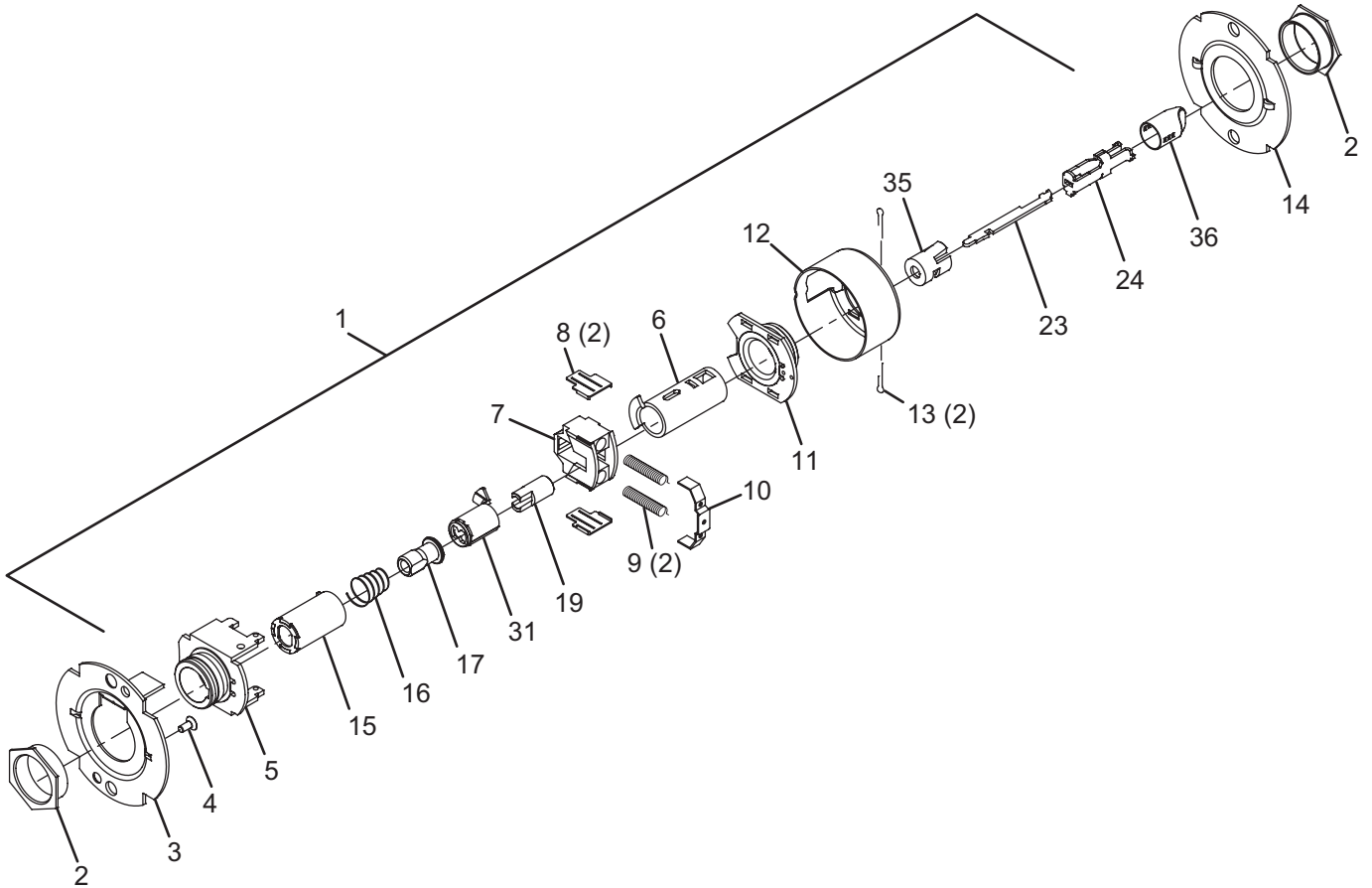
No.	Description	Part number
13	Cotter pin (2)	002893-000-60
14	Inner mounting plate	030712-000-30
15	Spindle, 1 ear, outer	030732-005-30
16	Clutch spring	030709-000-60
17	Clutch driver	030716-001-30
18	Key spindle, standard	030718-000-30
19	Push actuator	030711-000-30
23	Dogging bar	030722-000-30
24	Push/turn button mount	030731-000-30
35	Turn button sleeve	022133-000-50
36	Turn button cap	030727-000*

* Specify finish.

Chassis assemblies

Office lock – IC

T521



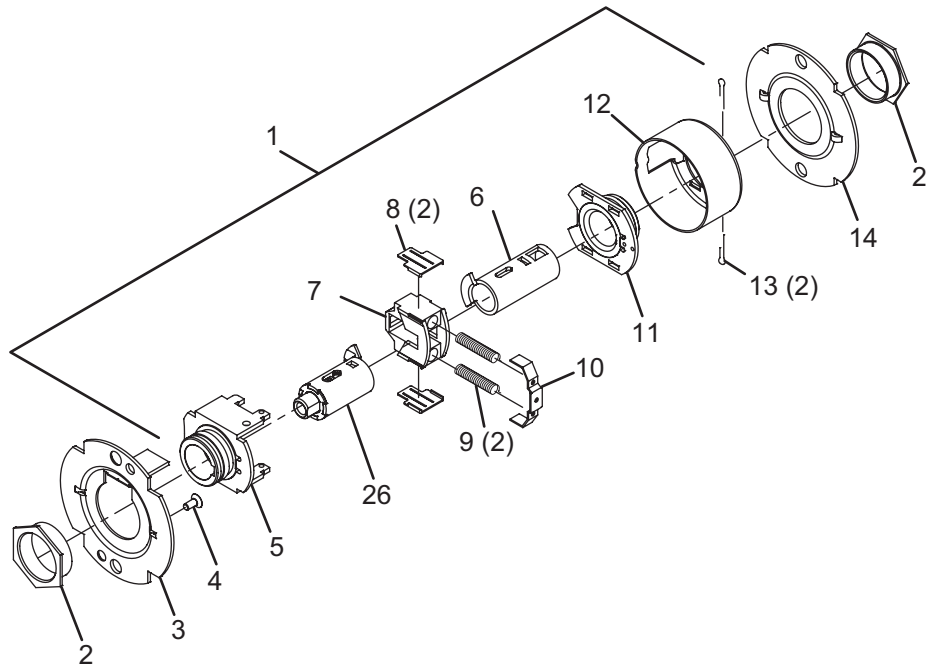
No.	Description	Part number
1	Chassis assembly, T521-IC	A30748-001-00
2	Flanged nut (2)	030726-000-30
3	Outer mounting plate	030712-001-30
4	#8-32 x 3/8" self tapping screw	031533-006-30
5	Hub and housing assembly	A30746-000-00
6	Spindle	030733-000-55
7	Retractor	022106-002-55
8	Retractor insert (2)	022986-001-50
9	Retractor spring (2)	24064511
10	Retractor spring retainer	022112-000-30
11	Hub and plate assembly	A30747-000-00
12	Housing case	24061772

No.	Description	Part number
13	Cotter pin (2)	002893-000-60
14	Inner mounting plate	030712-000-30
15	Spindle, 1 ear, outer	030732-005-30
16	Clutch spring	030709-000-60
17	Clutch driver	030716-001-30
19	Push actuator	030711-000-30
23	Dogging bar	030722-000-30
24	Push/turn button mount	030731-000-30
31	Key spindle, IC	030718-001-30
35	Turn button sleeve	022133-000-50
36	Turn button cap	030727-000*

* Specify finish.

Classroom lock

T561

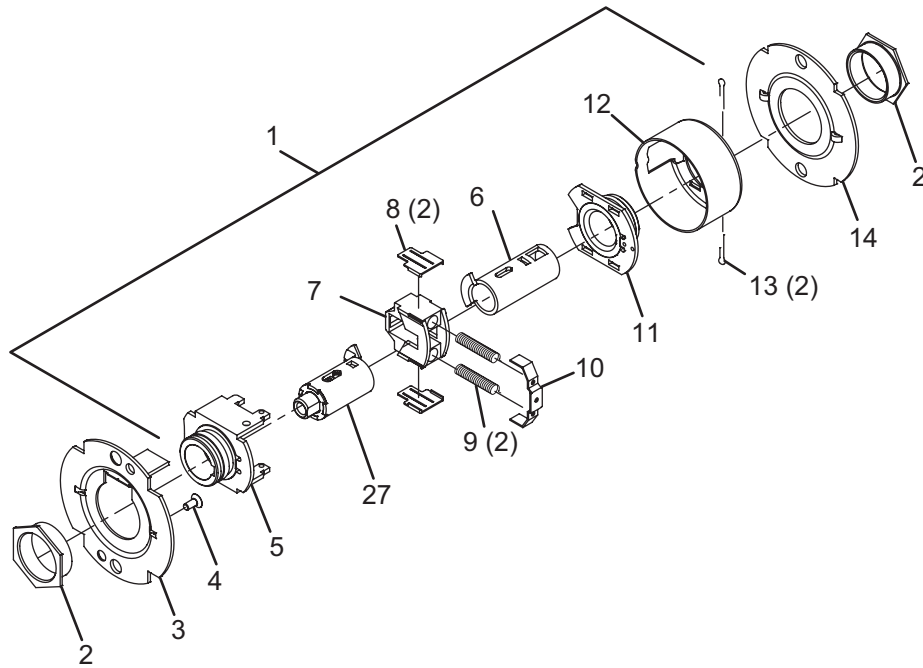


No.	Description	Part number
1	Chassis assembly, T351/T561	A30758-000-00
2	Flanged nut (2)	030726-000-30
3	Outer mounting plate	030712-001-30
4	#8-32 x 3/8" self tapping screw	031533-006-30
5	Hub and housing assembly	A30746-000-00
6	Spindle	030733-000-55
7	Retractor	022106-002-55
8	Retractor insert (2)	022986-001-50

No.	Description	Part number
9	Retractor spring (2)	24064511
10	Retractor spring retainer	022112-000-30
11	Hub and plate assembly	A30747-000-00
12	Housing case	24061772
13	Cotter pin (2)	002893-000-60
14	Inner mounting plate	030712-000-30
26	Key spindle assembly, standard	A30780-000-30

Classroom lock – IC

T561

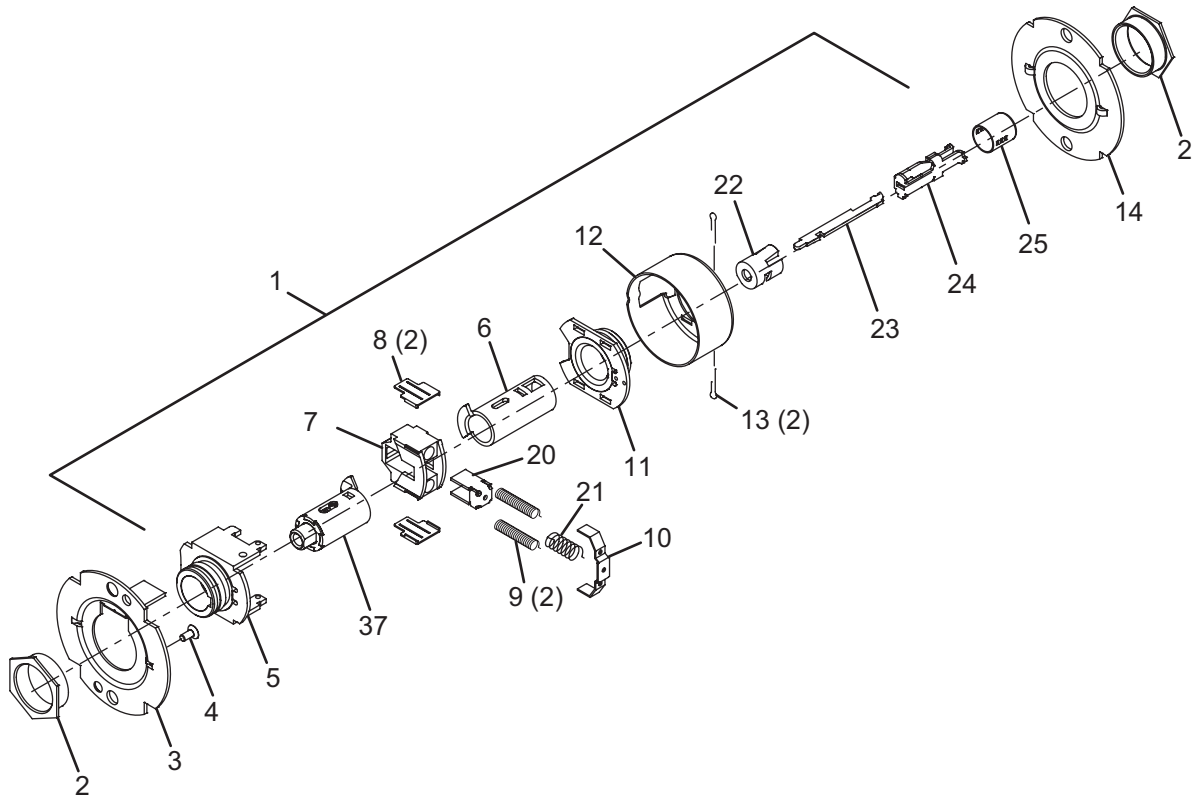


No.	Description	Part number
1	Chassis assembly, T351/T561-IC	A30758-001-00
2	Flanged nut (2)	030726-000-30
3	Outer mounting plate	030712-001-30
4	#8-32 x 3/8" self tapping screw	031533-006-30
5	Hub and housing assembly	A30746-000-00
6	Spindle	030733-000-55
7	Retractor	022106-002-55
8	Retractor insert (2)	022986-001-50

No.	Description	Part number
9	Retractor spring (2)	24064511
10	Retractor spring retainer	022112-000-30
11	Hub and plate assembly	A30747-000-00
12	Housing case	24061772
13	Cotter pin (2)	002893-000-60
14	Inner mounting plate	030712-000-30
27	Key spindle assembly, IC	A30780-001-30

Dormitory lock

T571



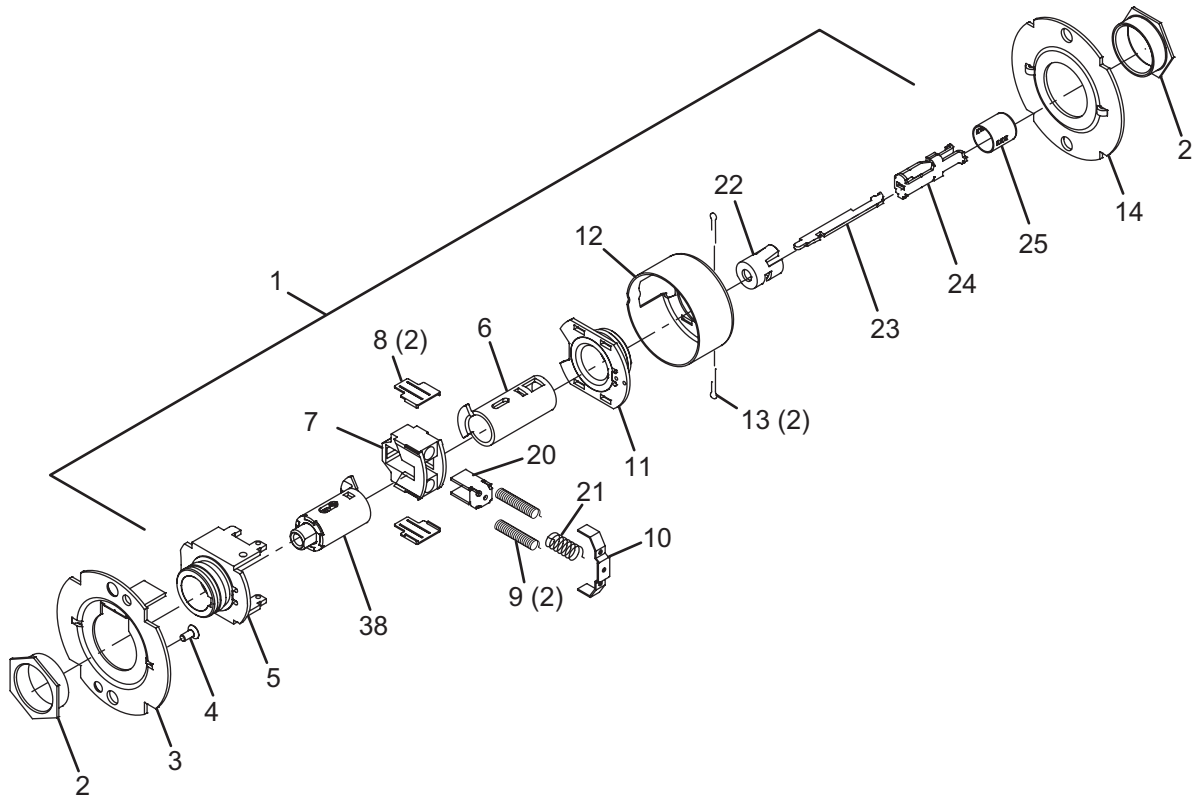
No.	Description	Part number
1	Chassis assembly, T571	A30759-000-00
2	Flanged nut (2)	030726-000-30
3	Outer mounting plate	030712-001-30
4	#8-32 x 3/8" self tapping screw	031533-006-30
5	Hub and housing assembly	A30746-000-00
6	Spindle	030733-000-55
7	Retractor	022106-002-55
8	Retractor insert (2)	022986-001-50
9	Retractor spring (2)	24064511
10	Retractor spring retainer	022112-000-30
11	Hub and plate assembly	A30747-000-00

No.	Description	Part number
12	Housing case	24061772
13	Cotter pin (2)	002893-000-60
14	Inner mounting plate	030712-000-30
20	Slide catch	022105-000-30
21	Slide catch spring	24064529
22	Push button sleeve	022134-000-50
23	Dogging bar	030722-000-30
24	Push/turn button mount	030731-000-30
25	Push button cap	030728-000*
37	Key spindle assembly, T571, standard	A30915-000-00

* Specify finish.

Dormitory lock – IC

T571



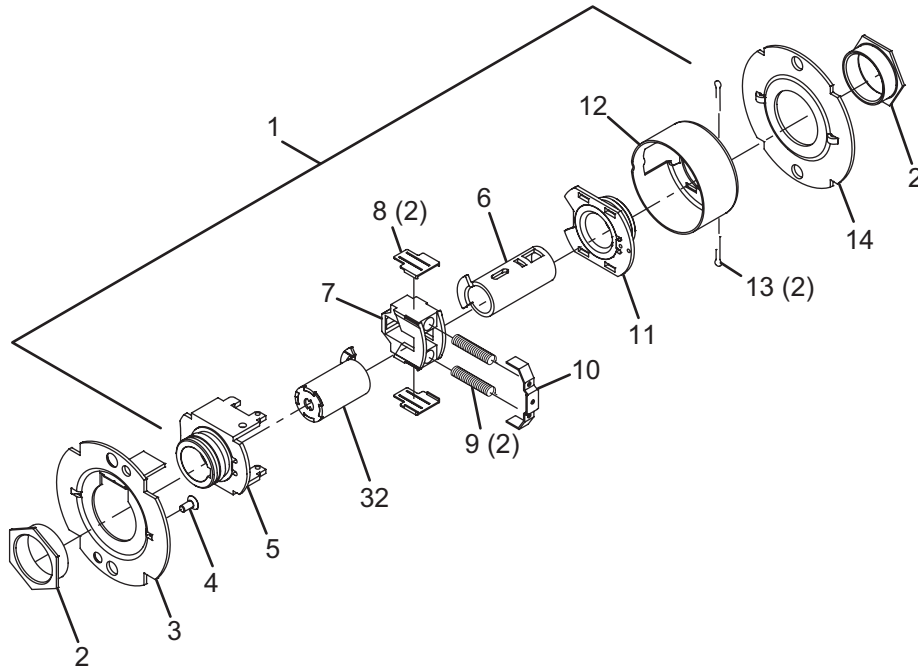
No.	Description	Part number
1	Chassis assembly, T571-IC	A30759-001-00
2	Flanged nut (2)	030726-000-30
3	Outer mounting plate	030712-001-30
4	#8-32 x 3/8" self tapping screw	031533-006-30
5	Hub and housing assembly	A30746-000-00
6	Spindle	030733-000-55
7	Retractor	022106-002-55
8	Retractor insert (2)	022986-001-50
9	Retractor spring (2)	24064511
10	Retractor spring retainer	022112-000-30
11	Hub and plate assembly	A30747-000-00

No.	Description	Part number
12	Housing case	24061772
13	Cotter pin (2)	002893-000-60
14	Inner mounting plate	030712-000-30
20	Slide catch	022105-000-30
21	Slide catch spring	24064529
22	Push button sleeve	022134-000-50
23	Dogging bar	030722-000-30
24	Push/turn button mount	030731-000-30
25	Push button cap	030728-000*
38	Key spindle assembly, T571, IC	A30915-001-00

* Specify finish.

Storeroom lock

T581

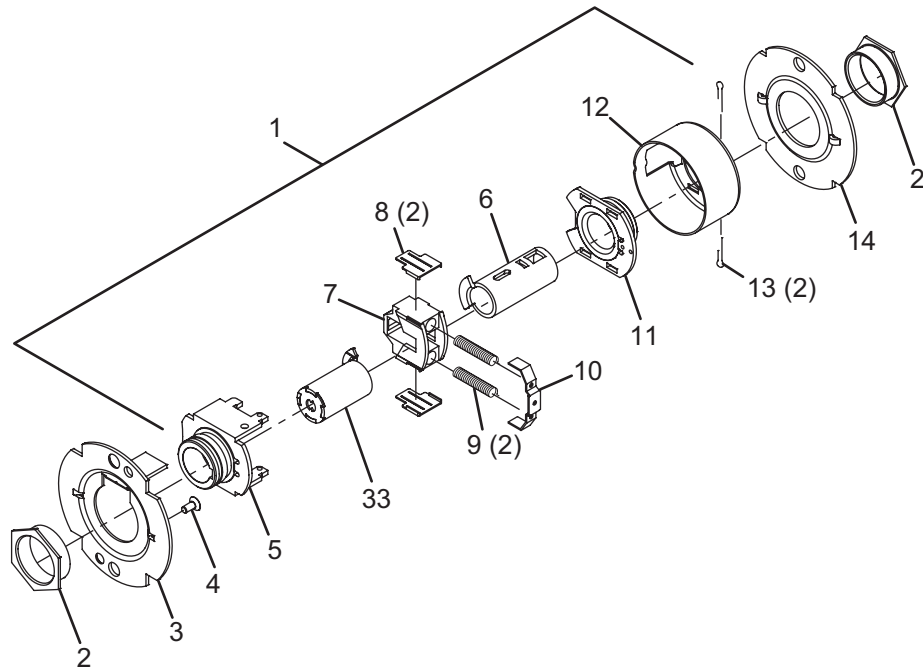


No.	Description	Part number
1	Chassis assembly, T581	A30760-000-00
2	Flanged nut (2)	030726-000-30
3	Outer mounting plate	030712-001-30
4	#8-32 x 3/8" self tapping screw	031533-006-30
5	Hub and housing assembly	A30746-000-00
6	Spindle	030733-000-55
7	Retractor	022106-002-55
8	Retractor insert (2)	022986-001-50

No.	Description	Part number
9	Retractor spring (2)	24064511
10	Retractor spring retainer	022112-000-30
11	Hub and plate assembly	A30747-000-00
12	Housing case	24061772
13	Cotter pin (2)	002893-000-60
14	Inner mounting plate	030712-000-30
32	Spindle, 2 ear, standard	030732-000-30

Storeroom lock – IC

T581



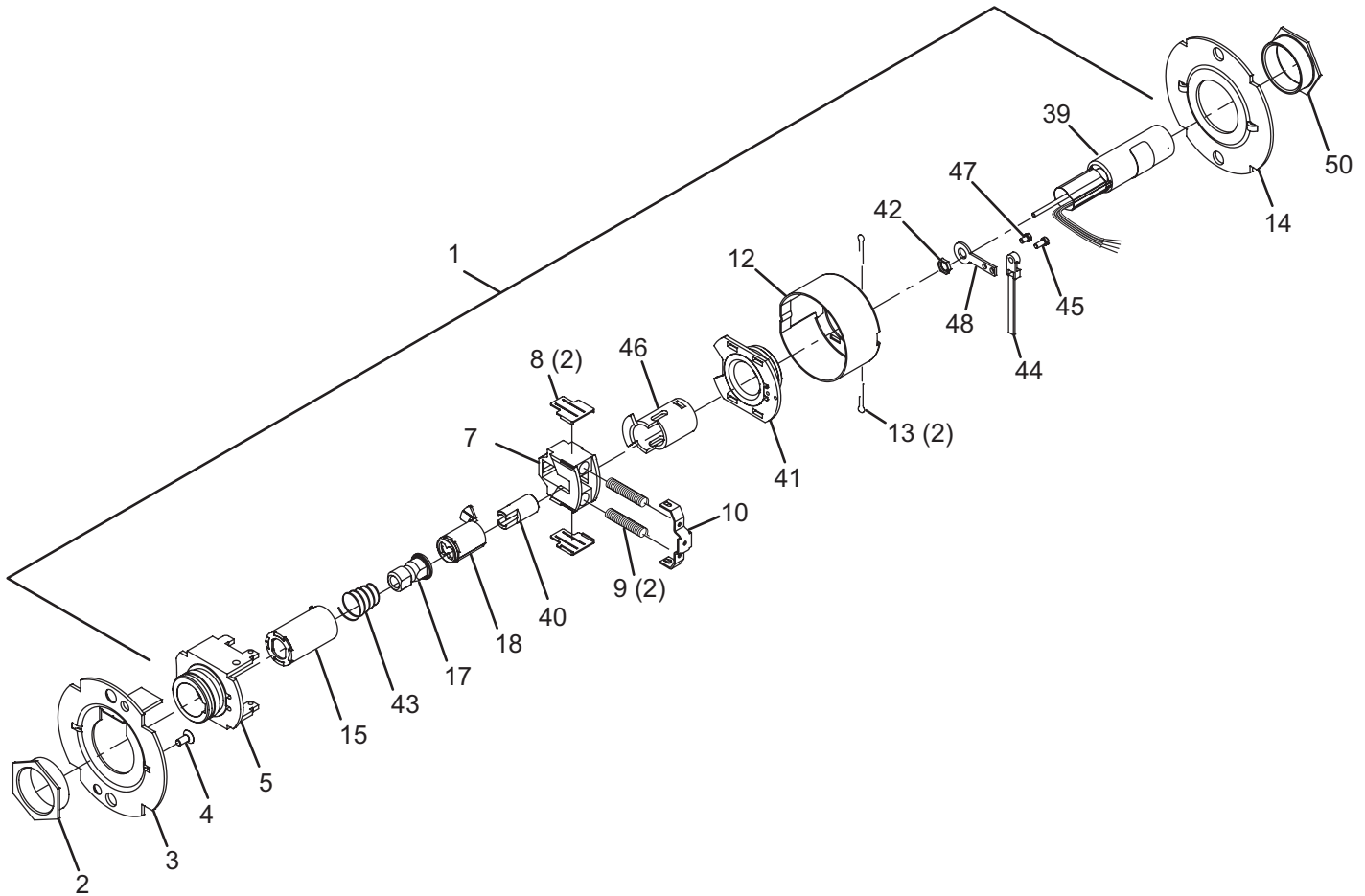
No.	Description	Part number
1	Chassis assembly, T581-IC	A30760-001-00
2	Flanged nut (2)	030726-000-30
3	Outer mounting plate	030712-001-30
4	#8-32 x 3/8" self tapping screw	031533-006-30
5	Hub and housing assembly	A30746-000-00
6	Spindle	030733-000-55
7	Retractor	022106-002-55
8	Retractor insert (2)	022986-001-50

No.	Description	Part number
9	Retractor spring (2)	24064511
10	Retractor spring retainer	022112-000-30
11	Hub and plate assembly	A30747-000-00
12	Housing case	24061772
13	Cotter pin (2)	002893-000-60
14	Inner mounting plate	030712-000-30
33	Spindle, 2 ear, IC	030732-001-00

Chassis assemblies

Storeroom lock (electrified – fail safe)

T851

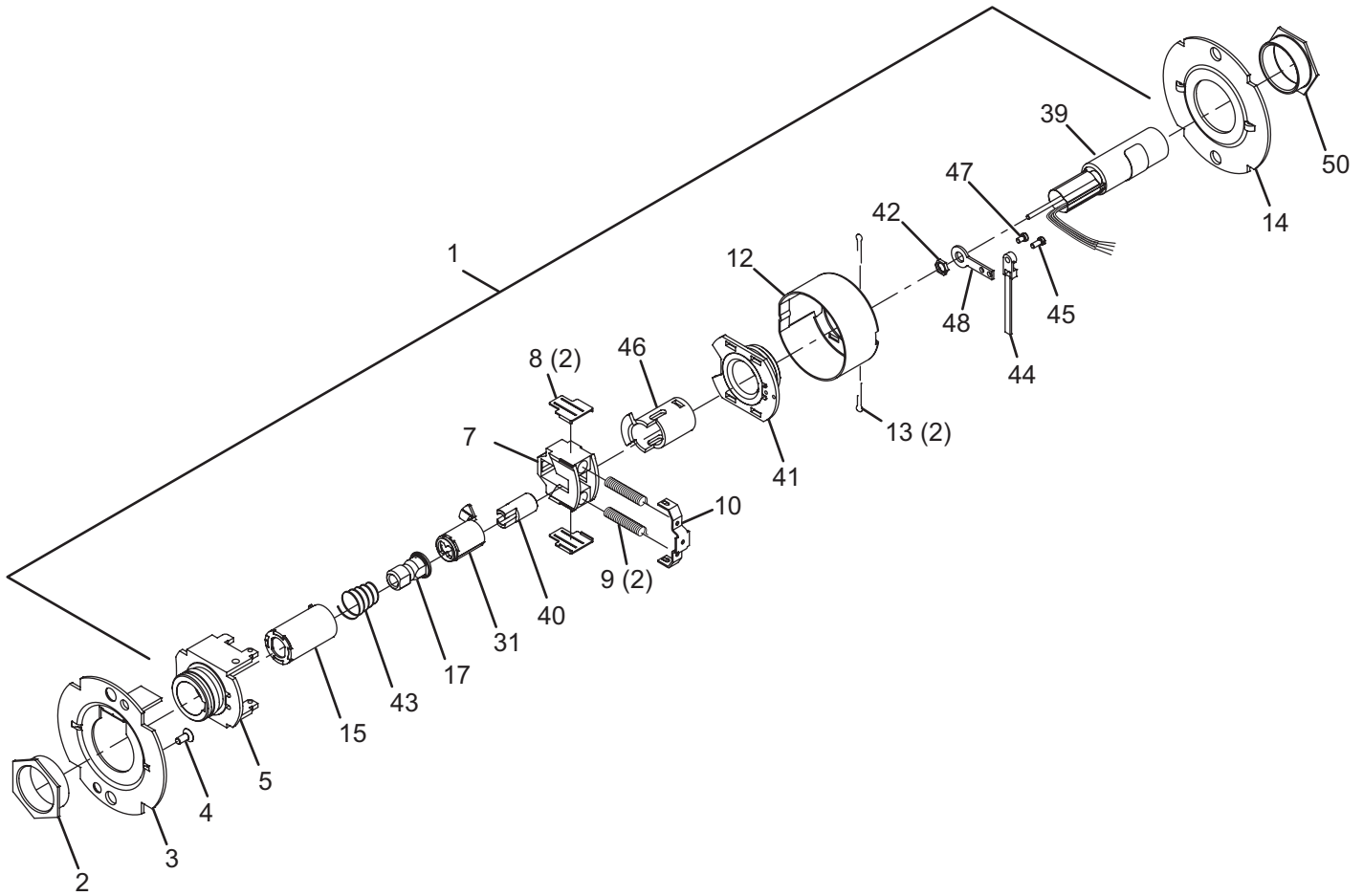


No.	Description	Part number
1	Chassis assembly, T851	A31517-000-00
2	Flanged nut	030726-000-30
3	Outer mounting plate	030712-001-30
4	#8-32 x 3/8" self tapping screw	031533-006-30
5	Hub and housing assembly	A30746-000-00
7	Retractor	022106-002-55
8	Retractor insert (2)	022986-001-50
9	Retractor spring (2)	24064511
10	Retractor spring retainer	022112-000-30
12	Housing case	24061798
13	Cotter pin (2)	002893-000-60
14	Inner mounting plate	030712-000-30
15	Splindle, 1 ear, outside	030732-005

No.	Description	Part number
17	Clutch driver	24368706
18	Key spindle, standard	030718-000-30
39	Solenoid	031516-000
40	Push acuator, electrified lock	030711-001-30
41	Hub and plate assembly, electrified	A31538-001-00
42	Special nut, 1/4 - 28	031511-000-30
43	Clutch spring	030709-002
44	Modified cable tie	Q001-088-70
45	Fillister head 4-40 x 1/4 screw	031515-004-30
46	Spindle, inside, T851/T881	030733-002-55
47	Fillister head 4-40 x 1/8 screw	Q001-087
48	Solenoid mounting plate	031514-000-30
50	Flanged nut, inside, electrified	030726-007-30

Storeroom lock (electrified – fail safe) – IC

T851

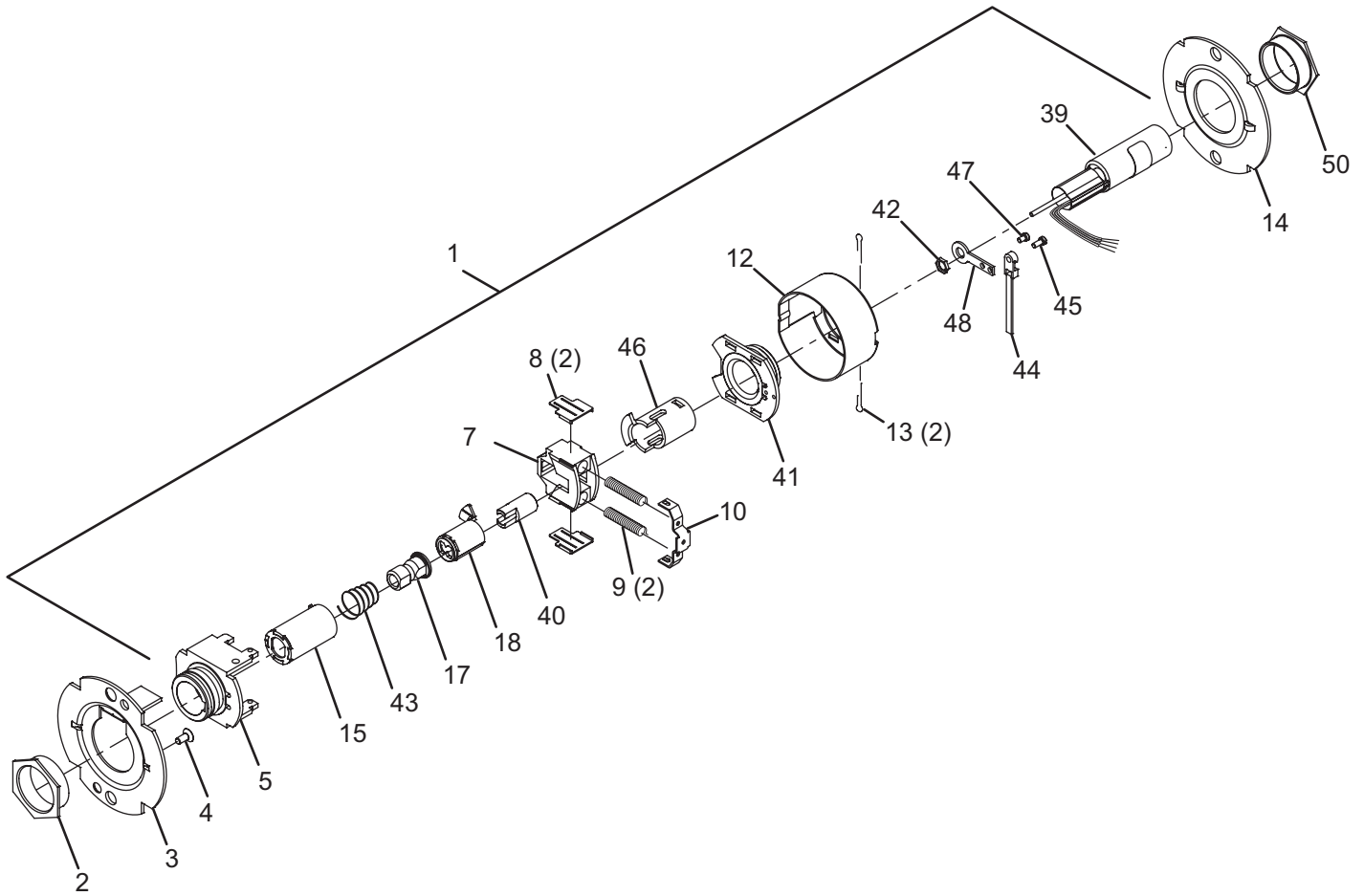


No.	Description	Part number
1	Chassis assembly, T851-IC	A31517-001-00
2	Flanged Nut	030726-000-30
3	Outer mounting plate	030712-001-30
4	#8-32 x 3/8" self tapping screw	031533-006-30
5	Hub and housing assembly	A30746-000-00
7	Retractor	022106-002-55
8	Retractor insert (2)	022986-001-50
9	Retractor spring (2)	24064511
10	Retractor spring retainer	022112-000-30
12	Housing case	24061798
13	Cotter pin (2)	002893-000-60
14	Inner mounting plate	030712-000-30
15	Spindle, 1 ear, outer	030732-005-30

No.	Description	Part number
17	Clutch driver	24368706
31	Key spindle, IC	030718-001
39	Solenoid	031516-000
40	Push acuator, electrified lock	030711-001-30
41	Hub and plate assembly, electrified	A31538-001-00
42	Special nut, 1/4 - 28	031511-000-30
43	Clutch spring	030709-001-30
44	Modified cable tie	Q001-088-70
45	Fillister head 4-40 x 1/4 Screw	031515-004-30
46	Spindle, inside, T851/T881	030733-002-55
47	Fillister head 4-40 x 1/8 Screw	Q001-087
48	Solenoid mounting plate	031514-000-30
50	Flanged nut, inside, electrified	030726-007-30

Storeroom lock (electrified – fail secure)

T881

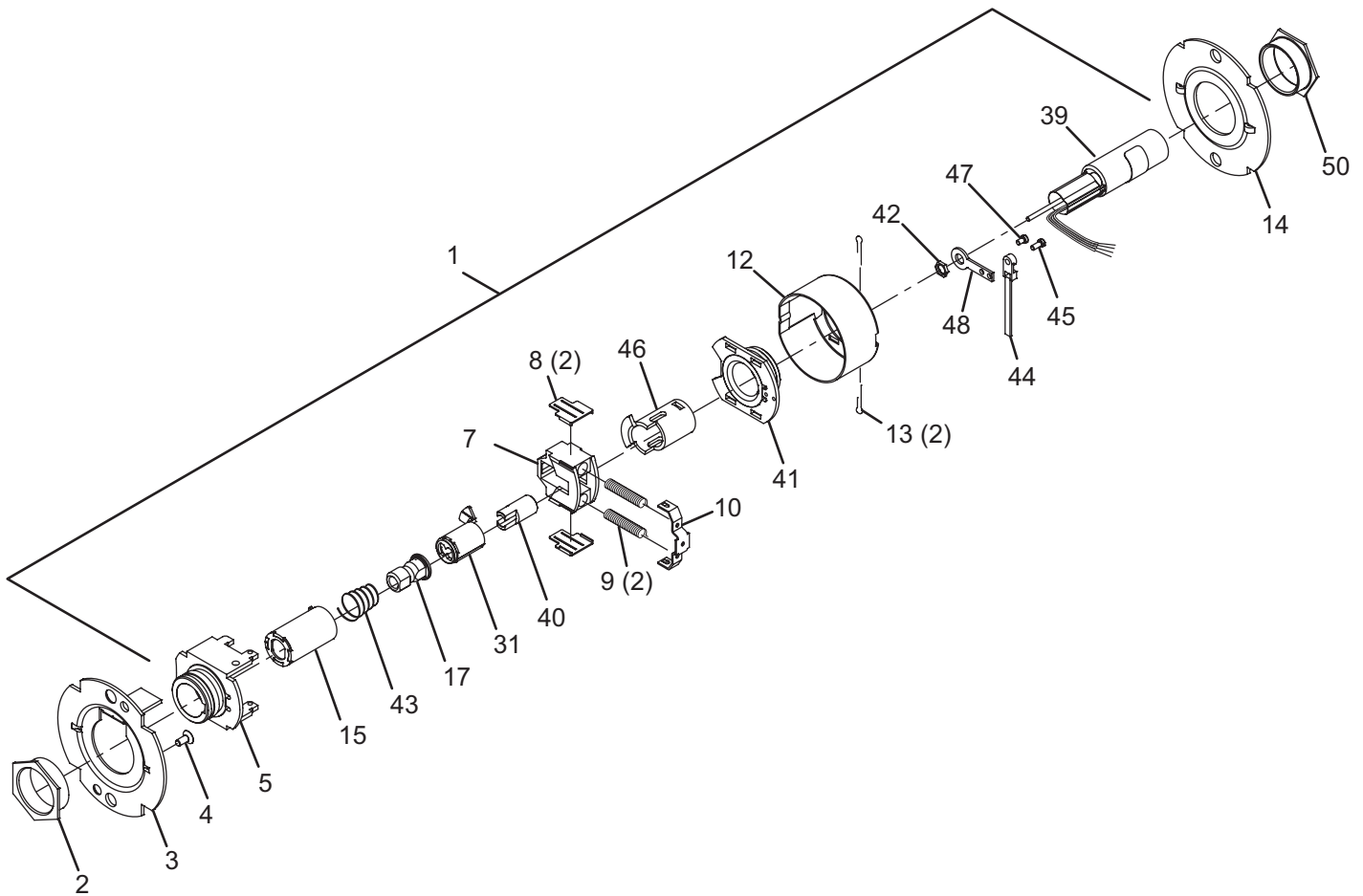


No.	Description	Part number
1	Chassis assembly, T881	A31518-000-00
2	Flanged Nut	030726-000-30
3	Outer mounting plate	030712-001-30
4	#8-32 x 3/8" Self tap screw	031533-006-30
5	Hub and housing assembly	A30746-000-00
7	Retractor	022106-002-55
8	Retractor insert (2)	022986-001-50
9	Retractor spring (2)	24064511
10	Retractor spring retainer	022112-000-30
12	Housing case	24061798
13	Cotter pin (2)	002893-000-60
14	Inner mounting plate	030712-000-30
15	Spindle, 1 ear, outer	030732-005-30

No.	Description	Part number
17	Clutch driver	030716-001-30
18	Key spindle, standard	030718-000-30
39	Solenoid	031516-000
40	Push acuator, electrified lock	030711-001-30
41	Hub and plate assembly, electrified	A31538-001-00
42	Special nut, 1/4 - 28	031511-000-30
43	Clutch spring	030709-001-30
44	Modified cable tie	Q001-088-70
45	Fillister head 4-40 x 1/4 screw	031515-004-30
46	Spindle, inside, T851/T881	030733-002-55
47	Fillister head 4-40 x 1/8 screw	Q001-087
48	Solenoid mounting plate	031514-000-30
50	Flanged nut, inside, electrified	030726-007-30

Storeroom lock (electrified – fail secure) – IC

T881



No.	Description	Part number
1	Chassis assembly, T881-IC	A31518-001-00
2	Flanged Nut	030726-000-30
3	Outer mounting plate	030712-001-30
4	#8-32 x 3/8" Self tap screw	031533-006-30
5	Hub and housing assembly	A30746-000-00
7	Retractor	022106-002-55
8	Retractor insert (2)	022986-001-50
9	Retractor spring (2)	24064511
10	Retractor spring retainer	022112-000-30
12	Housing case	24061798
13	Cotter pin (2)	002893-000-60
14	Inner mounting plate	030712-000-30
15	Spindle, 1 ear, outer	030732-005-30

No.	Description	Part number
17	Clutch driver	030716-001-30
39	Solenoid	031516-000
40	Push acuator, electrified lock	030711-001-30
41	Hub and plate assembly, electrified	A31538-001-00
42	Special nut, 1/4 - 28	031511-000-30
43	Clutch spring	030709-001-30
44	Modified cable tie	Q001-088-70
45	Fillister head 4-40 x 1/4 screw	031515-004-30
46	Spindle, inside, T851/T881	030733-002-55
47	Fillister head 4-40 x 1/8 screw	Q001-087
48	Solenoid mounting plate	031514-000-30
50	Flanged nut, inside, electrified	030726-007-30

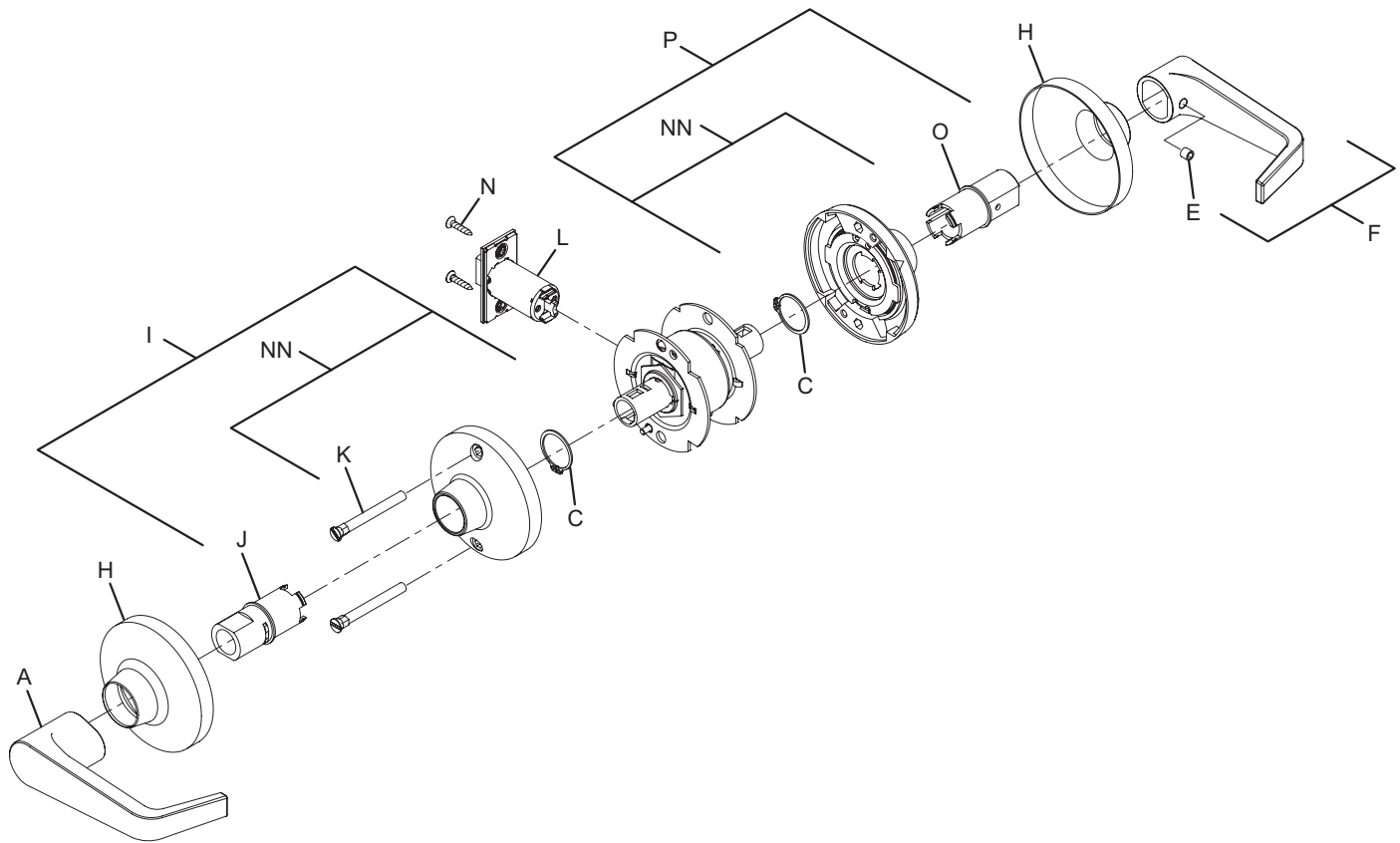
Trim assemblies

- 33 Passage latchset
- 34 Privacy hospital lock
- 35 Privacy lock
- 36 Closet lock
- 37 Classroom security lock
- 38 Asylum lock
- 39 Entry lock
- 40 Entry/office lock
- 41 Office lock
- 42 Classroom lock
- 43 Dormitory lock
- 44 Storeroom lock
- 45 Storeroom lock (electrified – fail safe)
- 46 Storeroom lock (electrified – fail secure)
- 47 Dummy trim

Trim assemblies

Passage latchset

T101



Note: spring cage components require lubrication. See page 51 for specifications.

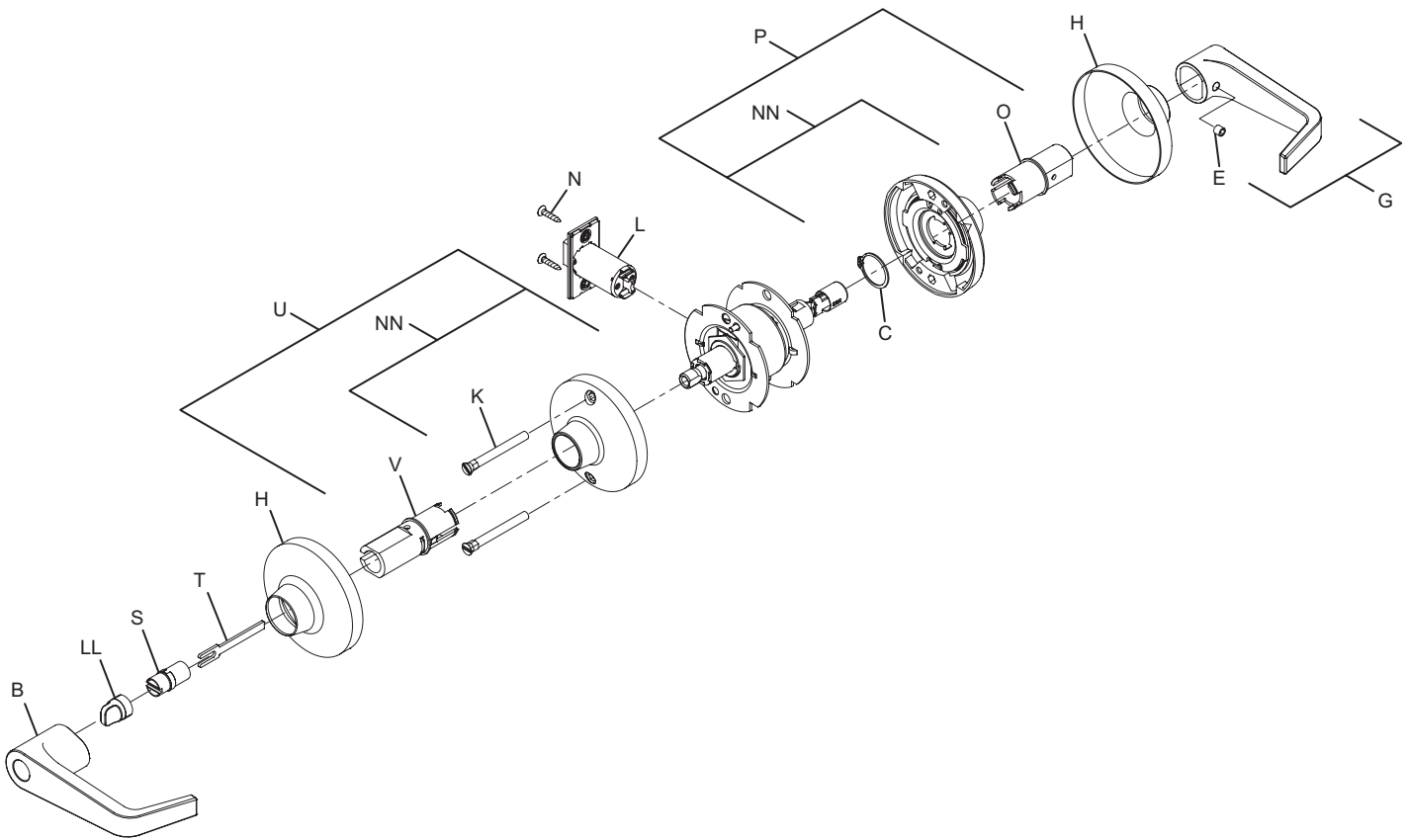
No.	Description	Part number
A	Closed lever, outside	see page 52
C	Lever retaining ring	030724-000-30
E	Lever set screw	030831-004-30
F	Closed lever and set screw assembly	A30753-00X*
H	Rose	030706-002*
I	Spring cage and spindle, outside, passage	A30749-000-00
J	Spindle, outside, passage	A30906-000-00

No.	Description	Part number
K	Mounting post (2)	030715-000-30
L	Spring latch	23981137*
N	#8-32 x 3/4" combo screw	024416-012*
O	Spindle, inside, passage/button	030703-000-30
P	Spring cage and spindle, inside, passage/button	A30750-000-00
NN	Non-locking spring cage	Q330-271

* Specify finish.

Privacy hospital lock

T291



Note: spring cage components require lubrication. See page 51 for specifications.

No.	Description	Part number
B	Open lever, outside	see page 52
C	Lever retaining ring	030724-000-30
E	Lever set screw	030831-004-30
G	Open lever and set screw assembly	A30753-01X*
H	Rose	030706-002*
K	Mounting post (2)	030715-000-30
L	Spring latch	23981137*
N	#8-32 x 3/4" combo screw	024416-012*
O	Spindle, inside, passage/button	030703-000-30

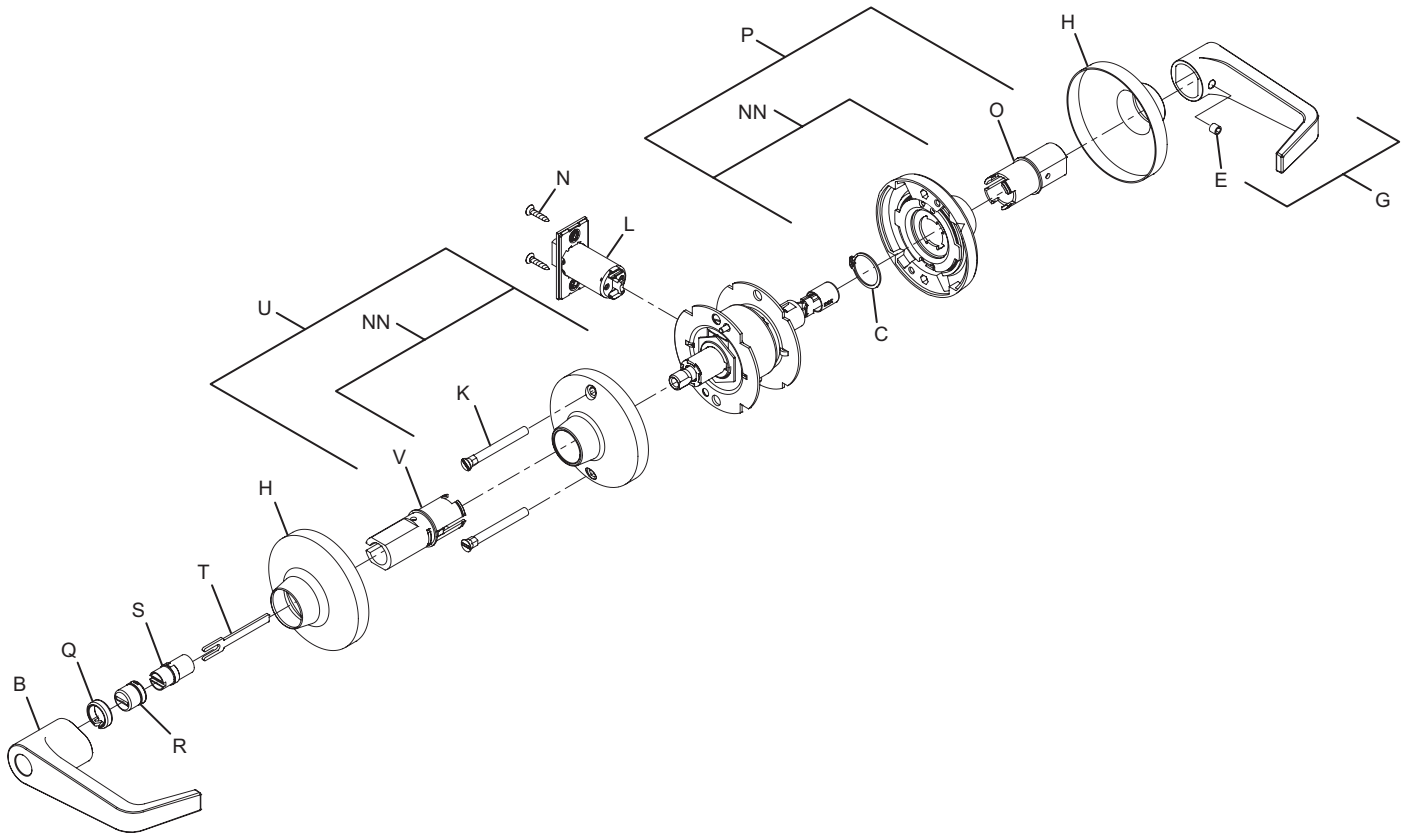
No.	Description	Part number
P	Spring cage and spindle, inside, passage/button	A30750-000-00
S	Outer button mount	030729-000-70
T	Tailpiece, 6-pin IC	030739-000-30
U	Spring cage and spindle, outside, button	A30796-000-00
V	Spindle, outside, button	A30905-000-00
LL	Button, T291, outside	Q033-044*
NN	Non-locking spring cage	Q330-271

* Specify finish.

Trim assemblies

Privacy lock

T301



Note: Spring Cage components require lubrication. See page 51 for specifications.

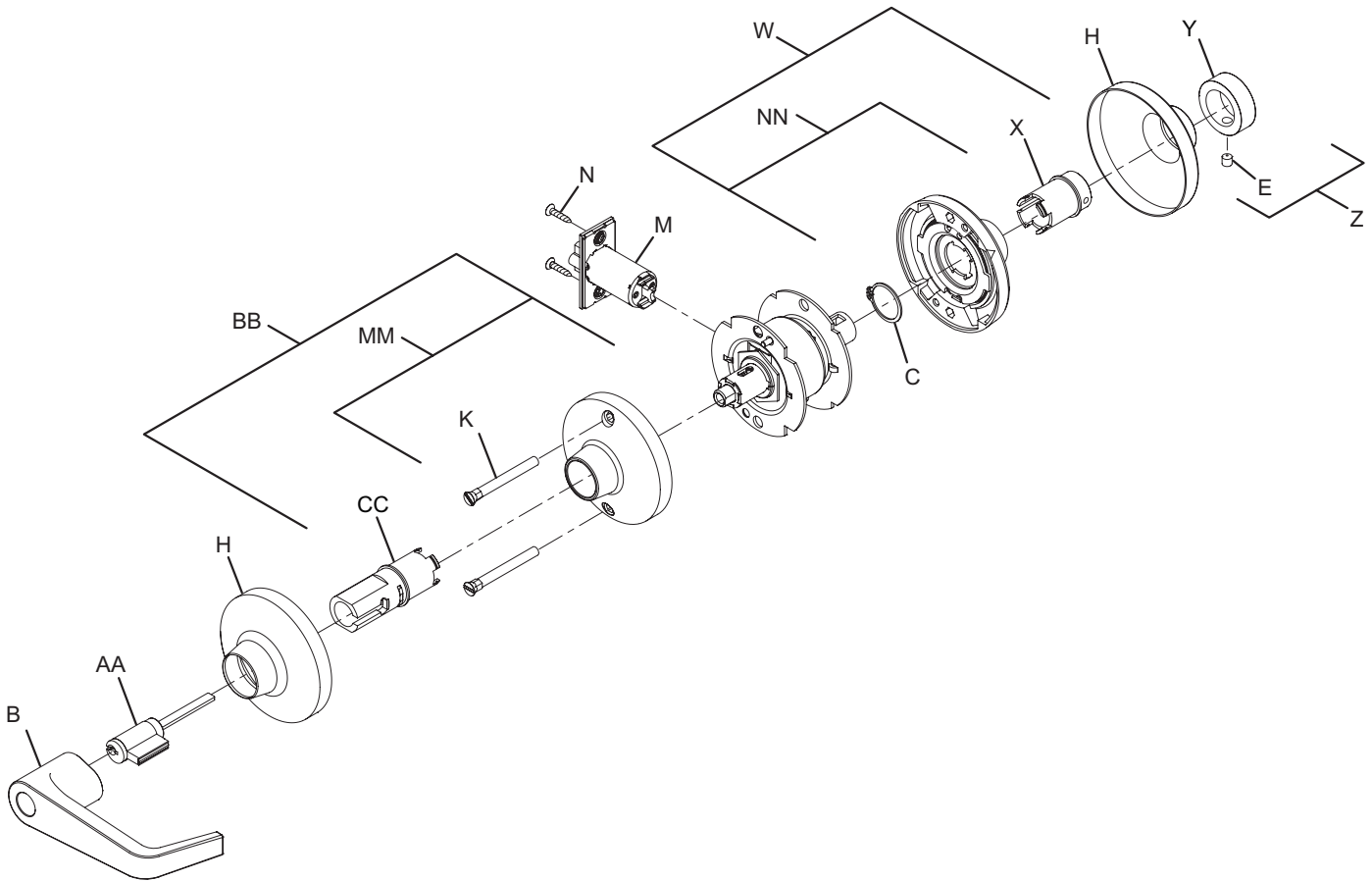
No.	Description	Part number
B	Open lever, outside	see page 52
C	Lever retaining ring	030724-000-30
E	Lever set screw	030831-004-30
G	Open lever and set screw assembly	A30753-01X*
H	Rose	030706-002*
K	Mounting post (2)	030715-000-30
L	Spring latch	23981137*
N	#8-32 x 3/4" combo screw	024416-012*
O	Spindle, inside, passage/button	030703-000-30

No.	Description	Part number
P	Spring cage and spindle, inside, passage/button	A30750-000-00
Q	Button spacer	030787-000-70
R	Emergency release cap	030654-000*
S	Outer button mount	030729-000-70
T	Tailpiece, 6-pin IC	030739-000-30
U	Spring cage and spindle, outside, button	A30796-000-00
V	Spindle, outside, button	A30905-000-00
NN	Non-locking spring cage	Q330-271

* Specify finish.

Closet lock

T351



Note: Spring Cage components require lubrication. See page 51 for specifications.

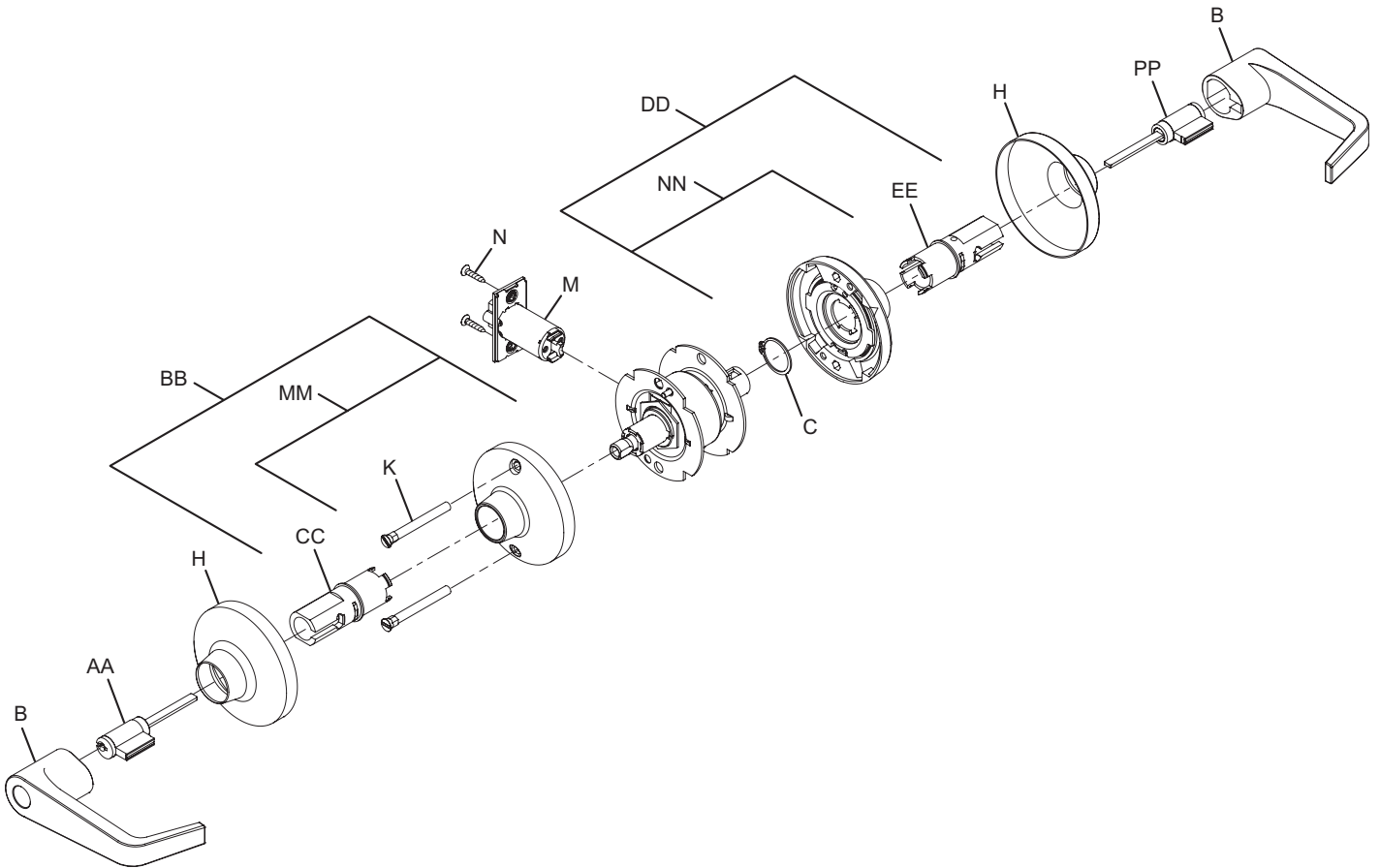
No.	Description	Part number
B	Open lever, outside	see page 52
C	Lever retaining ring	030724-000-30
E	Lever set screw	030831-004-30
H	Rose	030706-002*
K	Mounting post (2)	030715-000-30
M	Deadlatch	23981145*
N	#8-32 x 3/4" combo screw	024416-012*
W	Spring cage and spindle, inside, T351	A30776-001-00

No.	Description	Part number
X	Spindle, inside, T351	030703-001-30
Y	Turn knob, knurled	030738-000*
Z	Turn knob and set screw assembly	A30788-000*
AA	6-Pin cylinder	A23161-05*
BB	Spring cage and spindle, outside, 6-pin cylinder	A30910-060-00
CC	Spindle, outside, 6-pin cylinder	A30905-060-00
MM	Locking spring cage	Q330-270
NN	Non-locking spring cage	Q330-271

* Specify finish.

Classroom security lock

T381



Note: Spring Cage components require lubrication. See page 51 for specifications.

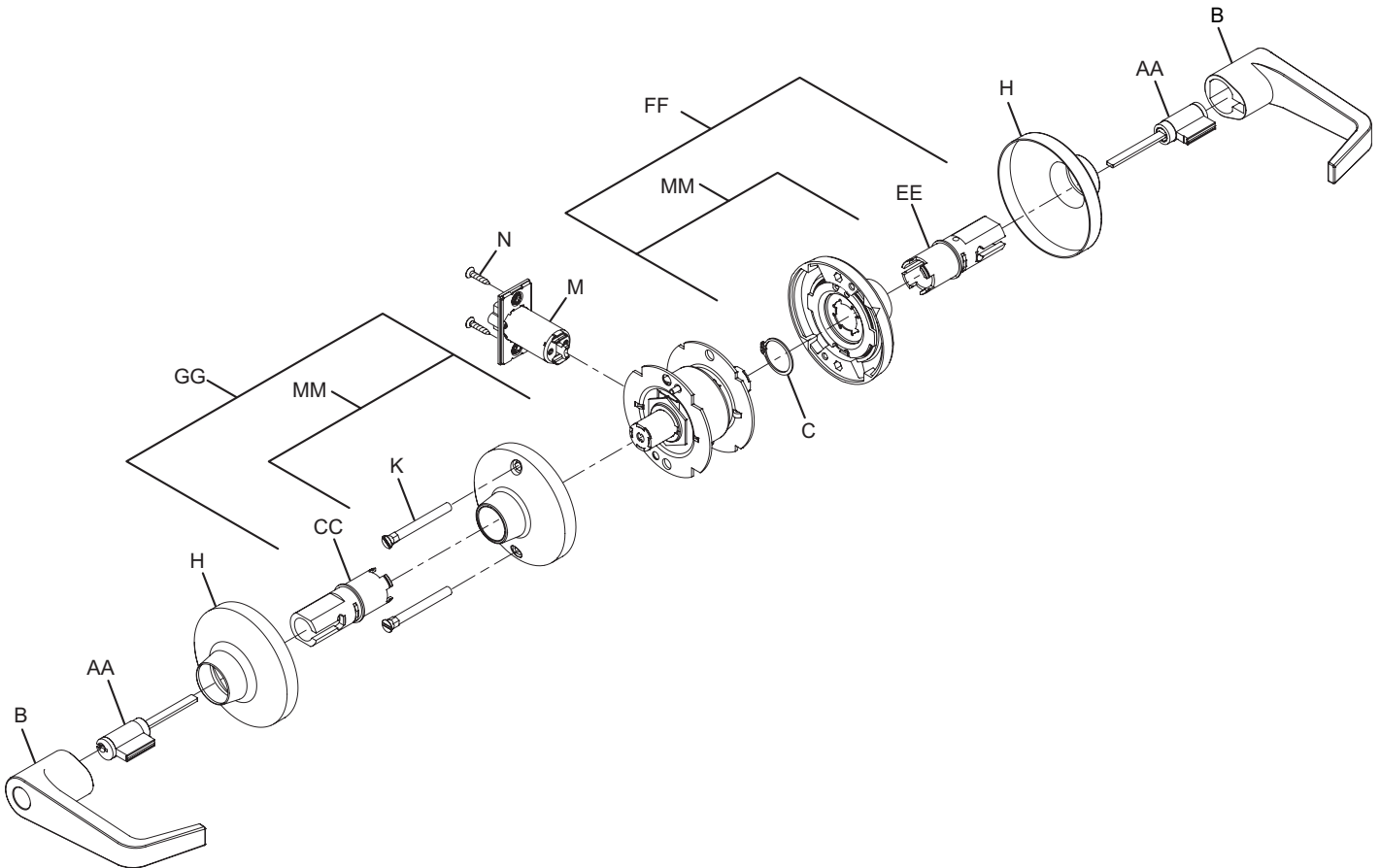
No.	Description	Part number
B	Open lever, outside	see page 52
C	Lever retaining ring	030724-000-30
H	Rose	030706-002*
K	Mounting post (2)	030715-000-30
M	Deadlatch	23981145*
N	#8-32 x 3/4" combo screw	024416-012*
AA	6-Pin Cylinder	A23161-05*

No.	Description	Part number
BB	Spring cage and spindle, outside, 6-pin cylinder	A30910-060-00
CC	Spindle, outside, 6-pin cylinder	A30905-060-00
DD	Spring cage and spindle, inside, 6-pin cylinder	A30779-060-00
EE	Spindle, inside, 6-pin cylinder	A30906-060-00
MM	Locking spring cage	Q330-270
NN	Non-locking spring cage	Q330-271
PP	6-Pin Cylinder	A23161-06*

* Specify finish.

Asylum lock

T411



Note: Spring Cage components require lubrication. See page 51 for specifications.

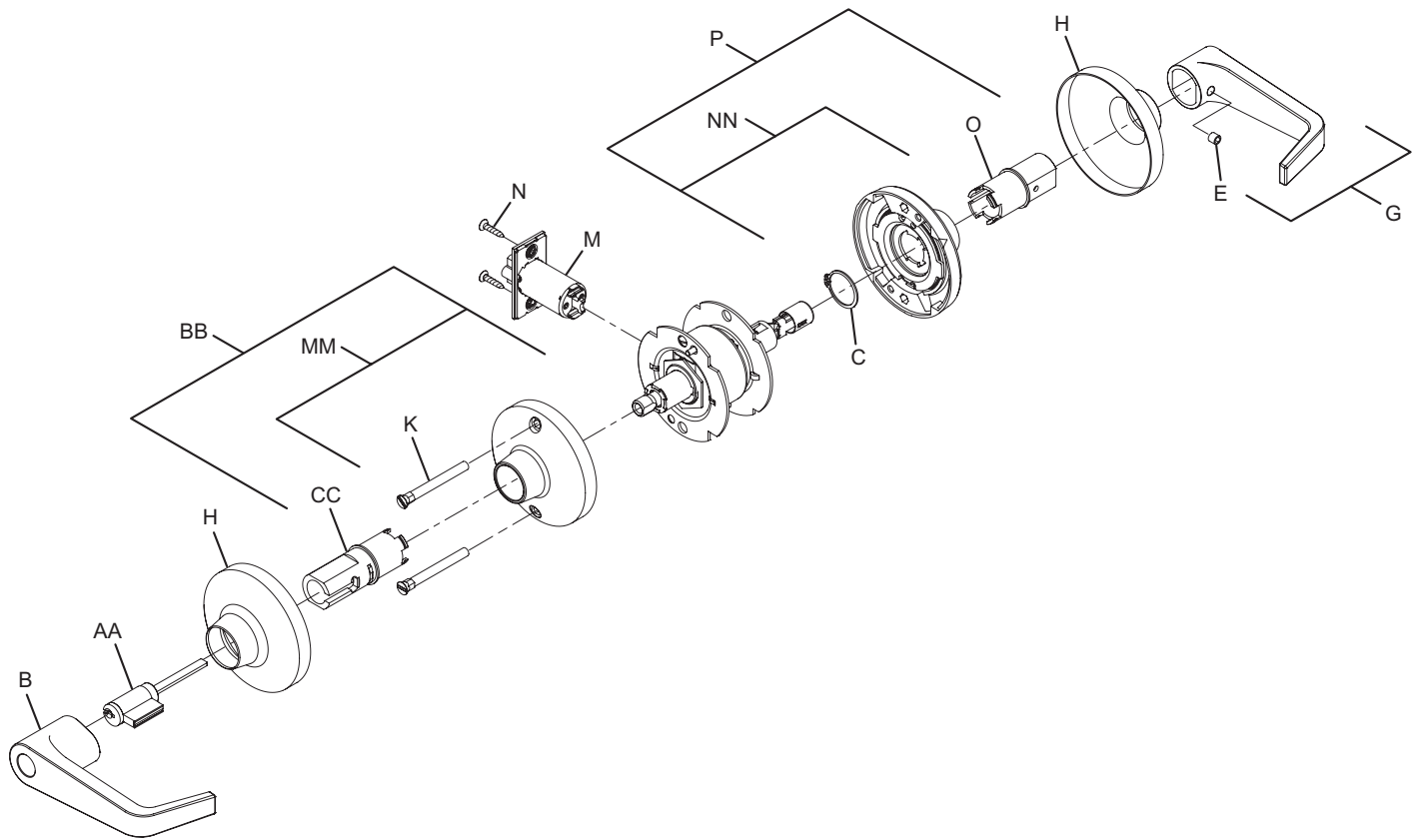
No.	Description	Part number
B	Open lever, outside	see page 52
C	Lever retaining ring	030724-000-30
H	Rose	030706-002*
K	Mounting post (2)	030715-000-30
M	Deadlatch	23981145*
N	#8-32 x 3/4" combo screw	024416-012*
AA	6-Pin cylinder	A23161-05*

No.	Description	Part number
CC	Spindle, outside, 6-pin cylinder	A30905-060-00
FF	Spring cage and spindle, inside, 6-pin cylinder, T411	A31523-060-00
GG	Spring cage and spindle, outside, 6-pin cylinder, T411/T581	A30749-060-00
EE	Spindle, inside, 6-pin cylinder	030906-060-00
MM	Locking spring cage	Q330-270

* Specify finish.

Entry lock

T501



Note: Spring Cage components require lubrication. See page 51 for specifications.

No.	Description	Part number
B	Open lever, outside	see page 52
C	Lever retaining ring	030724-000-30
E	Lever set screw	030831-004-30
G	Open lever and set screw assembly	A30753-01X*
H	Rose	030706-002*
K	Mounting post (2)	030715-000-30
M	Deadlatch	23981145*
N	#8-32 x 3/4" combo screw	024416-012*

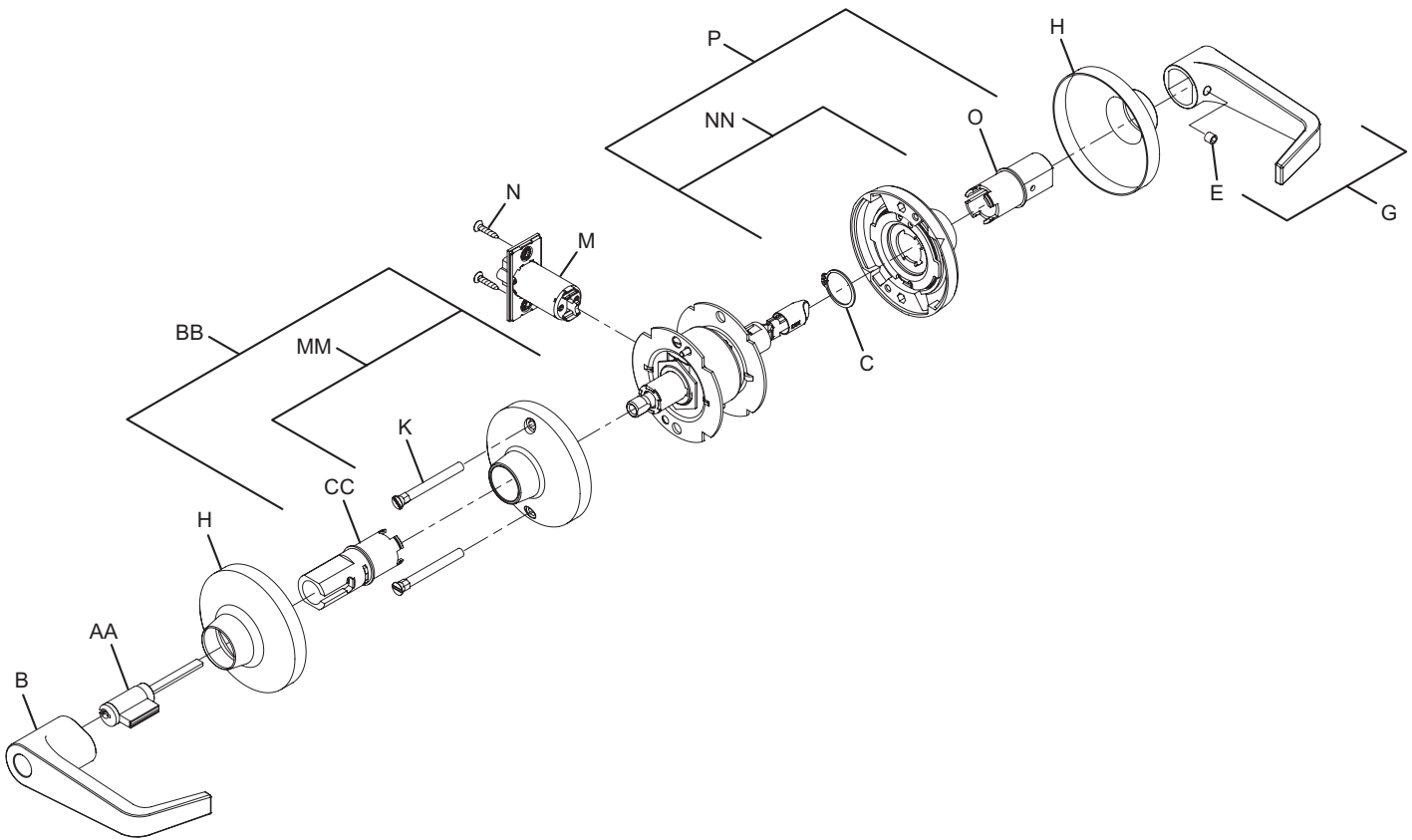
No.	Description	Part number
O	Spindle, inside, passage/button	030703-000-30
P	Spring cage and spindle, inside, passage/button	A30750-000-00
AA	6-Pin cylinder	A23161-05*
BB	Spring cage and spindle, outside, 6-pin cylinder	A30910-060-00
CC	Spindle, 6-pin cylinder, outside	A30905-060-00
MM	Locking spring cage	Q330-270
NN	Non-locking spring cage	Q330-271

* Specify finish.

Trim assemblies

Entry/office lock

T511



Note: Spring Cage components require lubrication. See page 51 for specifications.

No.	Description	Part number
B	Open lever, outside	see page 52
C	Lever retaining ring	030724-000-30
E	Lever set screw	030831-004-30
G	Open lever and set screw assembly	A30753-01X*
H	Rose	030706-002*
K	Mounting post (2)	030715-000-30
M	Deadlatch	23981145*
N	#8-32 x 3/4" combo screw	024416-012*

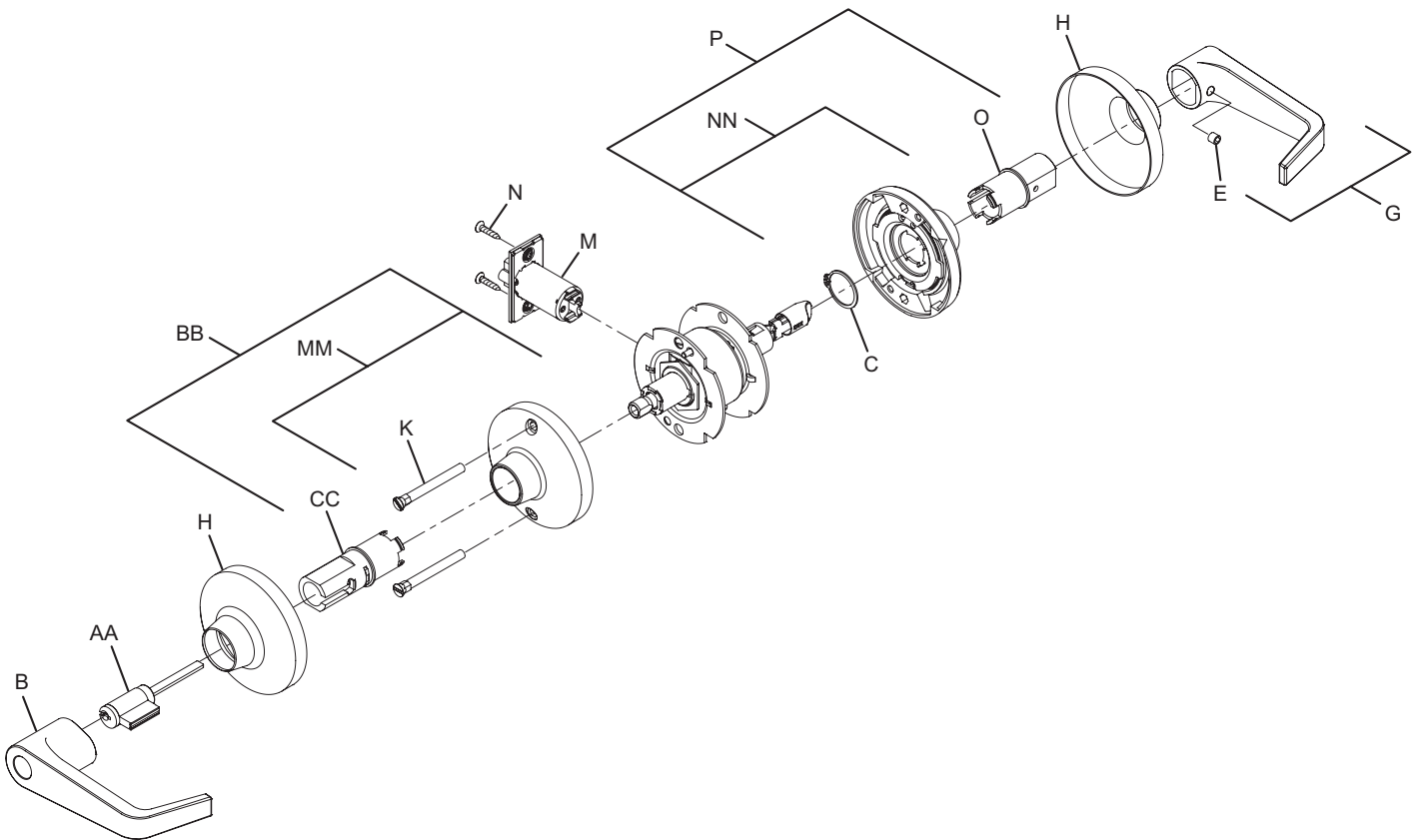
No.	Description	Part number
O	Spindle, inside, passage/button	030703-000-30
P	Spring cage and spindle, inside, passage/button	A30750-000-00
AA	6-Pin cylinder	A23161-05*
BB	Spring cage and spindle, outside, 6-pin cylinder	A30910-060-00
CC	Spindle, 6-pin cylinder, outside	A30905-060-00
MM	Locking spring cage	Q330-270
NN	Non-locking spring cage	Q330-271

* Specify finish.

Trim assemblies

Office lock

T521



Note: Spring Cage components require lubrication. See page 51 for specifications.

No.	Description	Part number
B	Open lever, outside	see page 52
C	Lever retaining ring	030724-000-30
E	Lever set screw	030831-004-30
G	Open lever and set screw assembly	A30753-01X*
H	Rose	030706-002*
K	Mounting post (2)	030715-000-30
M	Deadlatch	23981145*
N	#8-32 x 3/4" combo screw	024416-012*

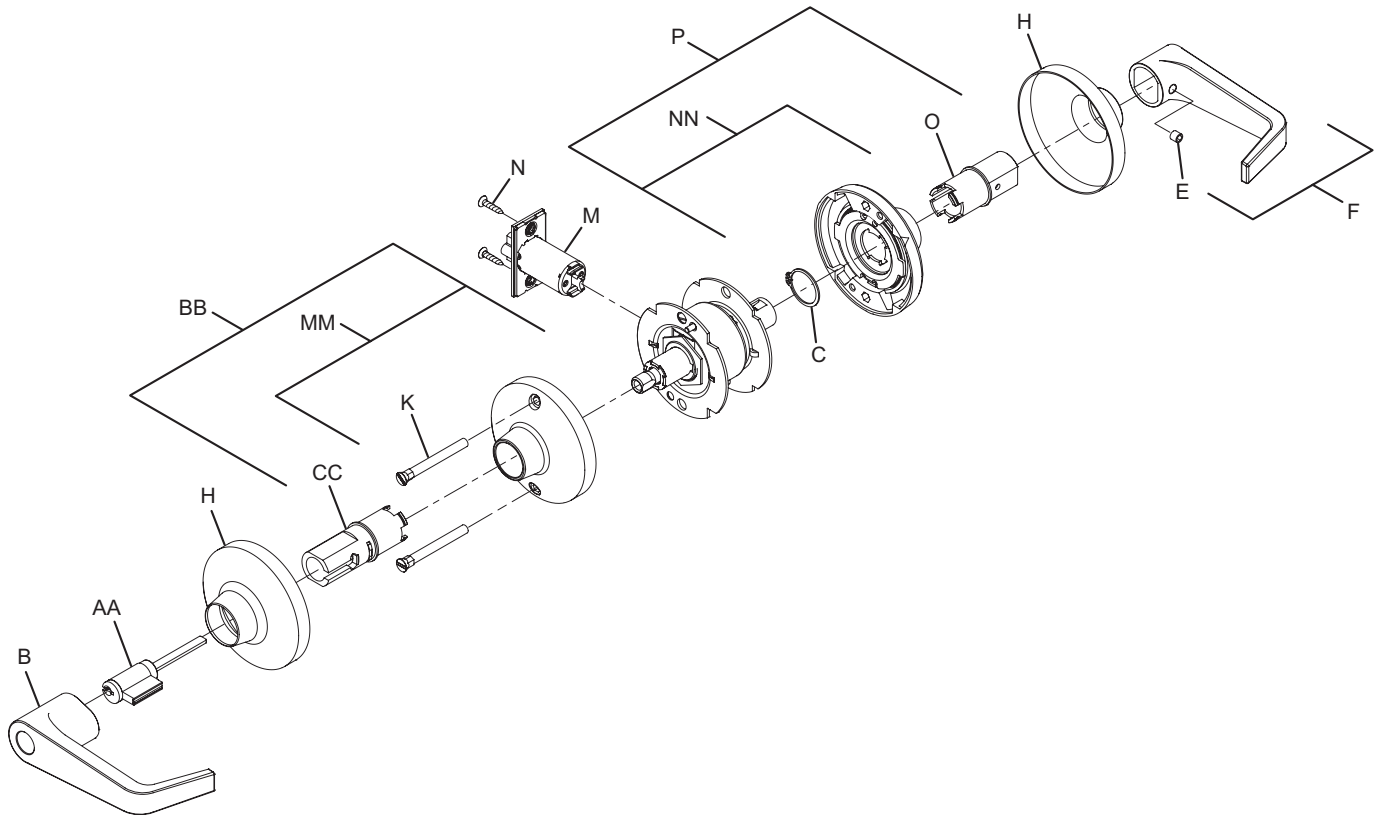
No.	Description	Part number
O	Spindle, inside, passage/button	030703-000-30
P	Spring cage and spindle, inside, passage/button	A30750-000-00
AA	6-Pin cylinder	A23161-05*
BB	Spring cage and spindle, outside, 6-pin cylinder	A30910-060-00
CC	Spindle, 6-pin cylinder, outside	A30905-060-00
MM	Locking spring cage	Q330-270
NN	Non-locking spring cage	Q330-271

* Specify finish.

Trim assemblies

Classroom lock

T561



Note: Spring Cage components require lubrication. See page 51 for specifications.

No.	Description	Part number
B	Open lever, outside	see page 52
C	Lever retaining ring	030724-000-30
E	Lever set screw	030831-004-30
F	Closed lever and set screw assembly	A30753-00X*
H	Rose	030706-002*
K	Mounting post (2)	030715-000-30
M	Deadlatch	23981145*
N	#8-32 x 3/4" combo screw	024416-012*

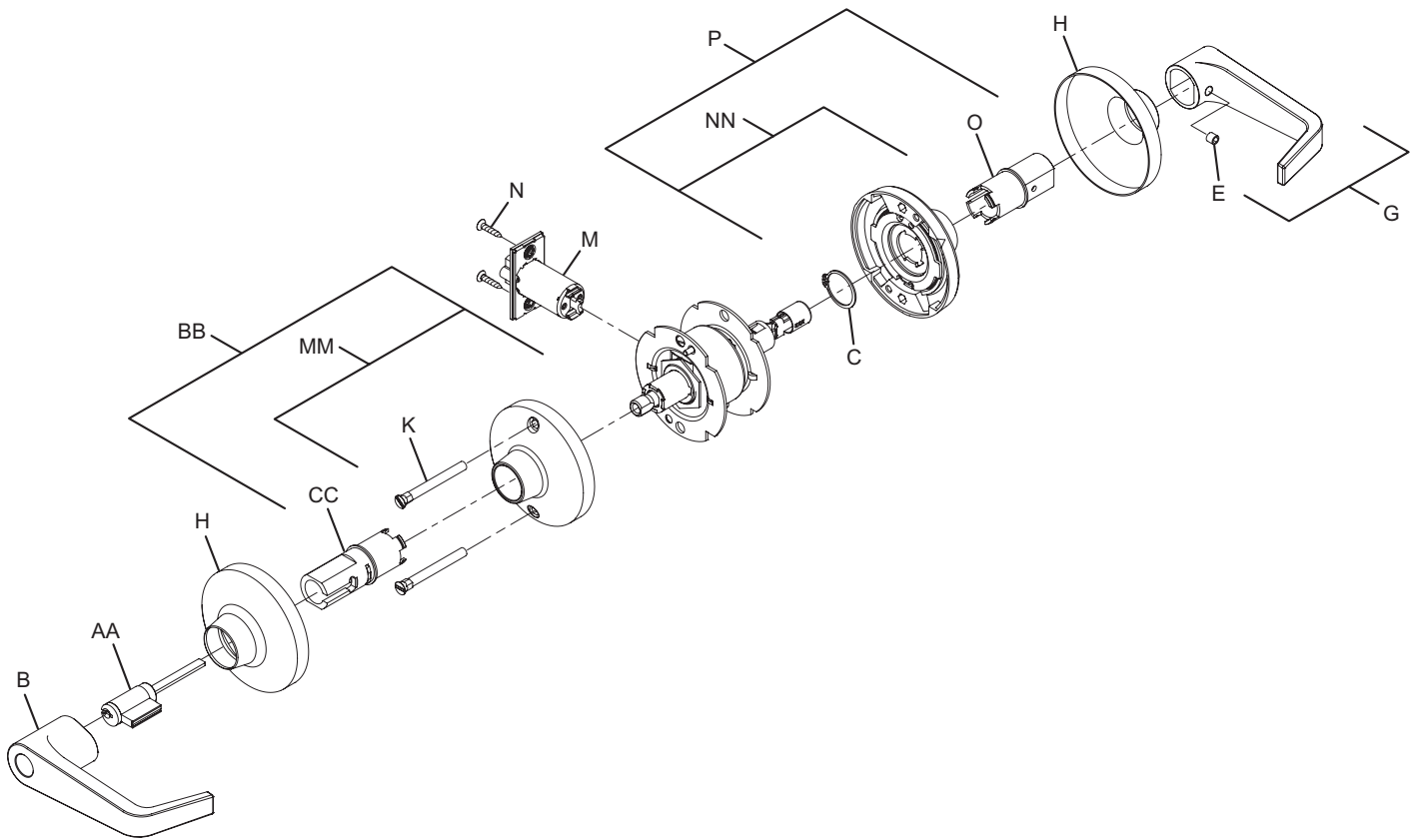
No.	Description	Part number
O	Spindle, inside, passage/button	030703-000-30
P	Spring cage and spindle, inside, passage/button	A30750-000-00
AA	6-Pin cylinder	A23161-05*
BB	Spring cage and spindle, outside, 6-pin cylinder	A30910-060-00
CC	Spindle, 6-pin cylinder, outside	A30905-060-00
MM	Locking spring cage	Q330-270
NN	Non-locking spring cage	Q330-271

* Specify finish.

Trim assemblies

Dormitory lock

T571



Note: Spring Cage components require lubrication. See page 51 for specifications.

No.	Description	Part number
B	Open lever, outside	see page 52
C	Lever retaining ring	030724-000-30
E	Lever set screw	030831-004-30
G	Open lever and set screw assembly	A30753-01X*
H	Rose	030706-002*
K	Mounting post (2)	030715-000-30
M	Deadlatch	23981145*
N	#8-32 x 3/4" combo screw	024416-012*

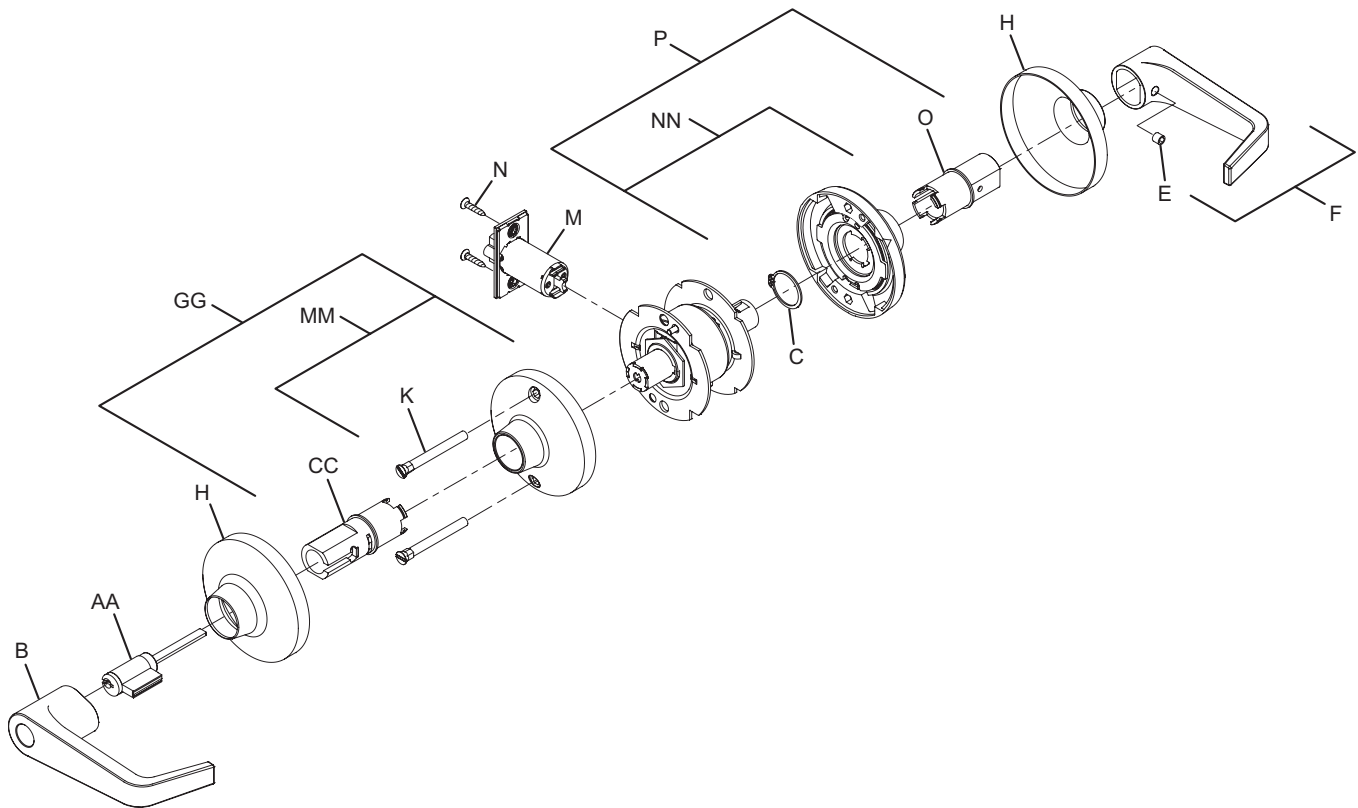
No.	Description	Part number
O	Spindle, inside, passage/button	030703-000-30
P	Spring cage and spindle, inside, passage/button	A30750-000-00
AA	6-Pin cylinder	A23161-05*
BB	Spring cage and spindle, outside, 6-pin cylinder	A30910-060-00
CC	Spindle, 6-pin cylinder, outside	A30905-060-00
MM	Locking spring cage	Q330-270
NN	Non-locking spring cage	Q330-271

* Specify finish.

Trim assemblies

Storeroom lock

T581



Note: Spring Cage components require lubrication. See page 51 for specifications.

No.	Description	Part number
B	Open lever, outside	see page 52
C	Lever retaining ring	030724-000-30
E	Lever set screw	030831-004-30
F	Closed lever and set screw assembly	A30753-00X*
H	Rose	030706-002*
K	Mounting post (2)	030715-000-30
M	Deadlatch	23981145*
N	#8-32 x 3/4" combo screw	024416-012*

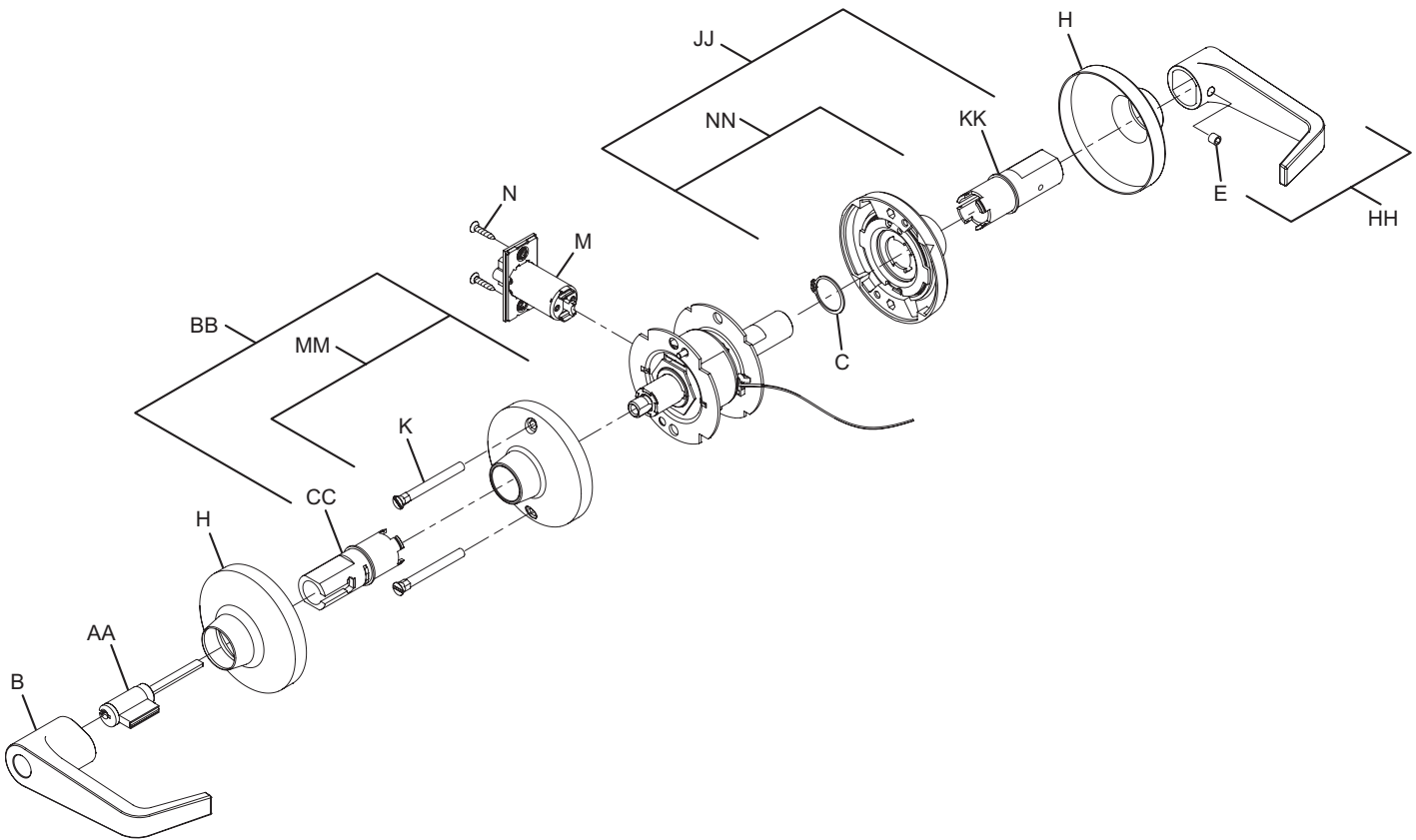
No.	Description	Part number
O	Spindle, inside, passage/button	030703-000-30
P	Spring cage and spindle, inside, passage/button	A30750-000-00
AA	6-Pin cylinder	A23161-05*
CC	Spindle, 6-pin cylinder, outside	A30906-060-00
GG	Spring cage, outside, T411/F581	A30749-060-00
MM	Locking spring cage	Q330-270
NN	Non-locking spring cage	Q330-271

* Specify finish.

Trim assemblies

Storeroom lock (electrified – fail safe)

T851



Note: Spring Cage components require lubrication. See page 51 for specifications.

No.	Description	Part number
B	Open lever, outside	see page 52
C	Lever retaining ring	030724-000-30
E	Lever set screw	030831-004-30
H	Rose	030706-002*
K	Mounting post (2)	030715-000-30
M	Deadlatch	23981145*
N	#8-32 x 3/4" combo screw	024416-012*
AA	6-Pin cylinder	A23161-05*

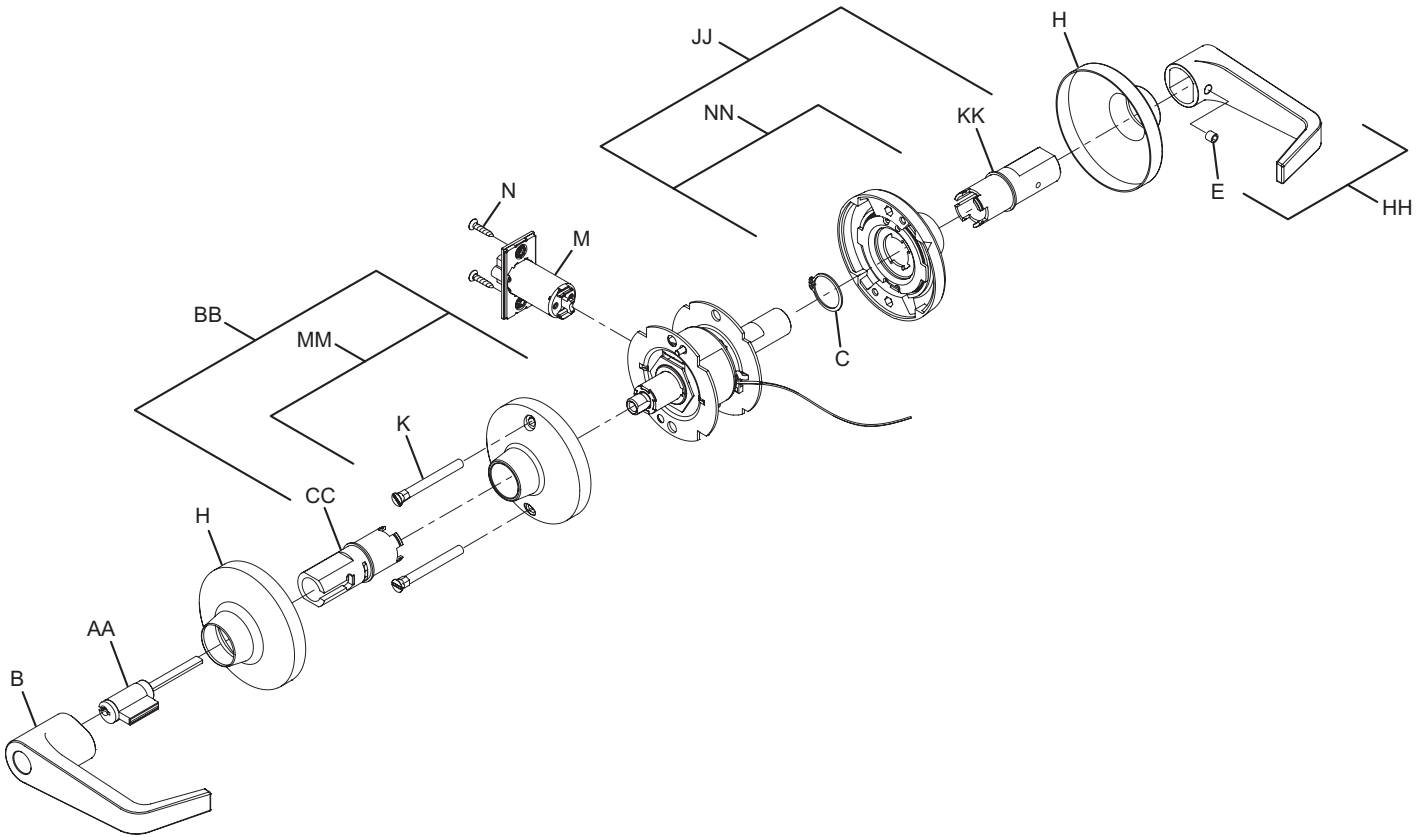
No.	Description	Part number
BB	Spring cage and spindle, outside, 6-pin cylinder	A30910-060-00
CC	Spindle, outside, 6-pin cylinder	A30905-060-00
HH	T851/T881 lever and set screw assembly	A31544-00X*
JJ	Spring cage and spindle, inside, T851/T881	A31638-000-00
KK	Spindle, inside, T851/T881	031519-000-30
MM	Locking spring cage	Q330-270
NN	Non-locking spring cage	Q300-271

* Specify finish.

Trim assemblies

Storeroom lock (electrified – fail secure)

T881



Note: Spring Cage components require lubrication. See page 51 for specifications.

No.	Description	Part number
B	Open lever, outside	see page 52
C	Lever retaining ring	030724-000-30
E	Lever set screw	030831-004-30
H	Rose	030706-002*
K	Mounting post (2)	030715-000-30
M	Deadlatch	23981145*
N	#8-32 x 3/4" combo screw	024416-012*
AA	6-Pin Cylinder	A23161-05*

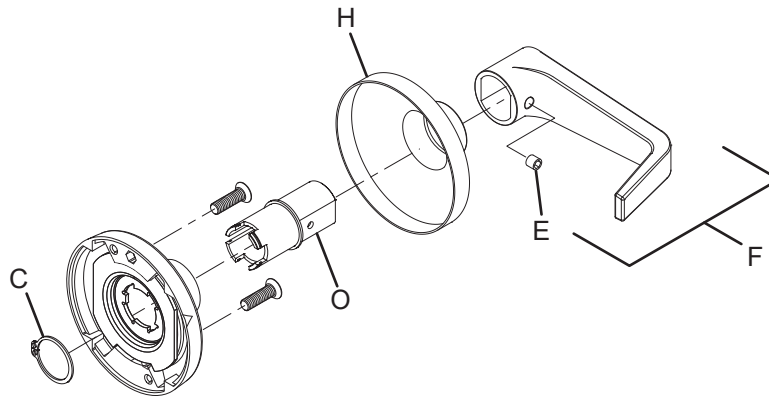
No.	Description	Part number
BB	Spring cage and spindle, outside, 6-pin cylinder	A30910-060-00
CC	Spindle, outside, 6-pin cylinder	A30905-060-00
HH	T851/T881 lever and set screw assembly	A31544-00X
JJ	Spring cage and spindle, inside, T851/T881	A31638-000-00
KK	Spindle, inside, T851/T881	031519-000-30
MM	Locking spring cage	Q330-270
NN	Non-locking spring cage	Q300-271

* Specify finish.

Trim assemblies

Dummy trim

T12



Note: spring cage components require lubrication. See page 51 for specifications.

No.	Description	Part number
C	Lever retaining ring	030724-000-30
E	Lever set screw	030831-004-30
F	Closed lever and set screw assembly	A30753-00X*

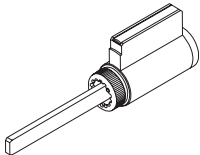
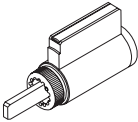
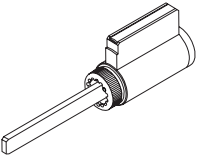
No.	Description	Part number
H	Rose	030706-002*
O	Spindle, inside, passage	030703-000-30

* Specify finish.

Parts and Accessories

Standard cylinders

Falcon complete standard cylinders

	Functions		
	All except T381IS, T571	T381IS	T571
			
5-Pin Cylinder	A23151-05	A23151-06	A23151-07
6-Pin Cylinder	A23161-05	A23161-06	A23161-07
7-Pin Cylinder	A23171-05	A23171-06	A23171-07

Standard cylinder options

Description	Specify
5 pinned cylinder	P suffix Example: T581PD
6 pinned cylinder	P6 suffix Example: T581PD6
7 pinned cylinder	P7 suffix Example: T581PD7
6 pinned competitor keyway cylinders*	P6 suffix Example: T581PD6 SCH C
6 pinned Schlage C	CP6 suffix Example: T581CPD6

Notes: Specify keyway.

Finishes 606, 620 and 622 only. (622 finish available only on Allegion cylinders (P, P6 and P7) in C and G keyways).
Cylinders are furnished G keyway, keyed differently unless otherwise specified.
Restricted sections require additional fee.

* Competitor cylinders are furnished 0-bitted unless otherwise specified, KD, KA4 only. No master keying, except Schlage C. KD option is not available for locks containing two cylinders.

Standard cylinder tailpieces

Cylinders	Std. Functions	T381 Inside	T571
Falcon 6-pin* (10 pack)	A30730-001-00	A30730-003-00	A30730-002-00
Falcon 7-pin (10 pack)	A30730-002-00	A30730-004-00	A30730-006-00
Sargent 6 and 10 Line	030997-001-30	030997-003-30	030997-005-30
Yale 1801, 5801	030917-001-30	030917-003-30	030917-005-30
Corbin Russwin	030994-001-30	030994-003-30	030994-005-30

* Assa 65611 and 65661, Corbin Russwin 2000-034 and Schlage (including Primus) all use Falcon 6-pin tailpiece.

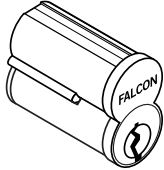
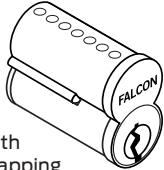
Competitor keyway compatibility

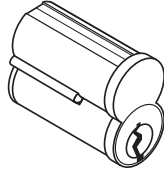
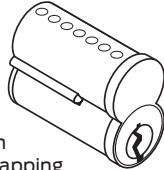
Falcon T-Series locks are furnished with Falcon's standard "G" keyway cylinder unless otherwise specified. The following competitor standard cylinders are acceptable.

- Assa (65611 or 65661) 6-pin
- Sargent (6, 7 and 10 line) 6-pin
–Keso not available
- Peaks (Kaba) 6-pin
- Medeco (20W200V3) 6-pin
–Tailpiece supplied by Medeco
–Falcon/Schlage style
- Schlage standard 6-pin
- Schlage Primus 6-pin
- Yale (1801) 6-pin (bicentric not available)
- Corbin Russwin (2000-034/CL3400) 6-pin
–Master ring not available

IC cylinders

Falcon complete IC cylinders

Style	Combinated		Uncombinated	
	6-Pin	7-Pin	6-Pin	7-Pin
 Standard	C606	C607	C646	C647
 Standard with Best-style capping	CB806	CB807	CB846	CB847

Style	Combinated		Uncombinated	
	6-Pin	7-Pin	6-Pin	7-Pin
 No logo	C608	C609	C648	C649
 No logo with Best-style capping	CB808	CB809	CB848	CB849

Notes: Specify core number, keyway and finish when ordering.

IC Cylinder Options

Description	Specify	
Small format core*	G suffix	Example: T581GD6
Small format construction core**	H suffix	Example: T581HD6
Small format core (Best style)*	BB suffix	Example: T581BB6
Less small format core	B suffix	Example: T581BD
Less full size core	J suffix	Example: T581JD SCH
Small format disposable core	BDC suffix	Example: T581BDC

* Locks are furnished uncombinated with no keys unless otherwise specified.

** Locks are assessed one non-refundable handling charge per core.

IC cylinder tailpieces

Cylinders	Std. Functions	T381 Inside	T571
Falcon 6-pin*	030739-000-30	030739-002-30	030739-000-30
Falcon 7-pin*	030739-001-30	030739-003-30	030739-001-30
Corbin Russwin 8000 and Sargent 6300	031468-000-30	031468-002-30	031468-004-30
Corbin Russin 8000-7 (7-Pin)	031468-001-00	031468-003-30	031468-005-30
Medeco 32 Series and Assa	A30988-000-00	A30988-002-00	A30988-004-00
Schlage Full Size (including Primus)	031467-000-30	031467-002-30	031467-004-30
Yale and Medeco 31 Series, 6-Pin	030917-001-30	030917-003-30	030917-005-30

* Arrow, Best, InstaKey, Kaba Peaks, Keymark, KSP and Schlage small format cores all use the Falcon configuration.

Competitor IC Compatibility

Locksets with the Falcon standard interchangeable core option can also accept Schlage SFIC, Arrow (including Flex Core), Best (including PKS and Peaks), InstaKey, Kaba Peaks, Keymark and KSP cores.

In addition, the following larger format interchangeable cores will work with T-Series locks when the lockset is so specified.

Manufacturer	Core	Specify
Assa	Old & new style	IC-AS
Corbin Russwin	8000 or 8000-7	IC-CR6 or IC-CR7
Medeco	32 Series 6-Pin	IC-ME
Medeco	31 Series 6-Pin	IC-YA6

Manufacturer	Core	Specify
Sargent	6300	IC-SA
Schlage	6-Pin, including Primus	IC-SC
Yale	6-Pin, Medeco 31 Series	IC-YA6

Spindles

Inside inserts and spindles

Description	Part Number	T351	T381	T411	T501	T511	T521	T561	T571	T581	T851	T881
Insert and Spindle	A30750-000-00					
Insert and Spindle	A30776-001-00	.										
Falcon 6-Pin and 7-Pin IC	A30779-001-00		.									
Falcon and Mono 6-Pin Standard	A30779-060-00		.									
Falcon 7-Pin Standard	A30779-070-00		.									
Medeco 6-Pin IC	A30981-001-00		.									
Schlage 6-Pin IC	A30982-001-00		.									
Corbin-Russwin 6-Pin IC	A30983-001-00		.									
Corbin-Russwin 7-Pin IC	A30983-002-00		.									
Yale 6-Pin IC	A30984-001-00		.									
Sargent 6-Pin IC	A30985-001-00		.									
Sargent 6-Pin Standard	A31491-060-00		.									
Yale 6-Pin Standard	A31492-060-00		.									
Yale 7-Pin Standard	A31492-070-00		.									
Falcon 6-Pin and 7-Pin IC	A31523-001-00			.								
Falcon and Mono 6-Pin Standard	A31523-060-00			.								
Falcon 7-Pin Standard	A31523-070-00			.								
Medeco 6-Pin IC	A31524-001-00			.								
Schlage 6-Pin IC	A31525-001-00			.								
Corbin-Russwin 6-Pin IC	A31526-001-00			.								
Corbin-Russwin 7-Pin IC	A31526-002-00			.								
Yale 6-Pin IC	A31527-001-00			.								
Sargent 6-Pin IC	A31528-001-00			.								
Sargent 6-Pin Standard	A31529-060-00			.								
Yale 6-Pin Standard	A31530-060-00			.								
Yale 7-Pin Standard	A31530-070-00			.								
Insert and Spindle	A31638-000-00										.	.
Assa 6-Pin IC	A31643-001-00		.									
Assa 6-Pin IC	A31644-001-00		.									

Parts and Accessories

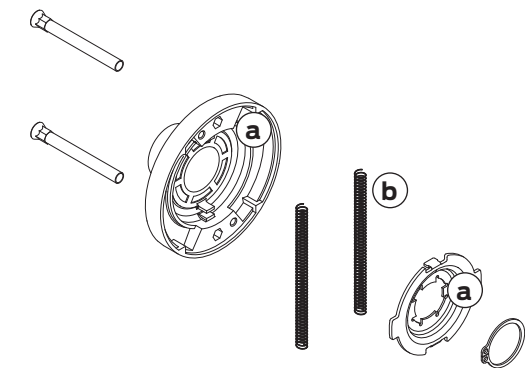
Outside inserts and spindles

Description	Part Number	T351	T381	T411	T501	T511	T521	T561	T571	T581	T851	T881
Falcon 6-Pin and 7-Pin IC	A30749-001-00			.						.		
Falcon and Mono 6-Pin Standard	A30749-060-00			.						.		
Falcon 7-Pin Standard	A30749-070-00			.						.		
Falcon IC	A30910-001-00
Falcon and Mono 6-Pin Standard	A30910-060-00
Falcon 7-Pin Standard	A30910-070-00
Medeco 6-Pin IC	A30941-001-00
Schlage 6-Pin IC	A30942-001-00
Corbin-Russwin 6-Pin IC	A30943-001-00
Corbin-Russwin 7-Pin IC	A30943-002-00
Yale 6-Pin IC	A30944-001-00
Sargent 6-Pin IC	A30945-001-00
Medeco 6-Pin IC	A30971-001-00			.						.		
Schlage 6-Pin IC	A30972-001-00			.						.		
Corbin-Russwin IC	A30973-001-00			.						.		
Corbin-Russwin 7-Pin IC	A30973-002-00			.						.		
Yale 6-Pin IC	A30974-001-00			.						.		
Sargent 6-Pin IC	A30975-001-00			.						.		
Sargent 6-Pin Standard	A31485-060-00	
Yale 6-Pin Standard	A31486-060-00
Yale 7-Pin Standard	A31486-070-00
Sargent 6-Pin Standard	A31487-060-00			.						.		
Yale 6-Pin Standard	A31488-060-00			.						.		
Yale 7-Pin Standard	A31488-070-00			.						.		
Assa 6-Pin IC	A31641-001-00			.						.		
Assa 6-Pin IC	A31642-001-00

Spring cage replacement kits

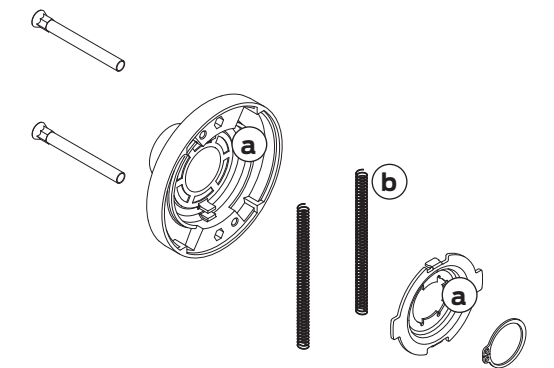
Q330-270 Locking spring cage kit

Inside for T411 and outside for all functions except T101, T291 and T411



Q330-271 Non-locking spring cage kit

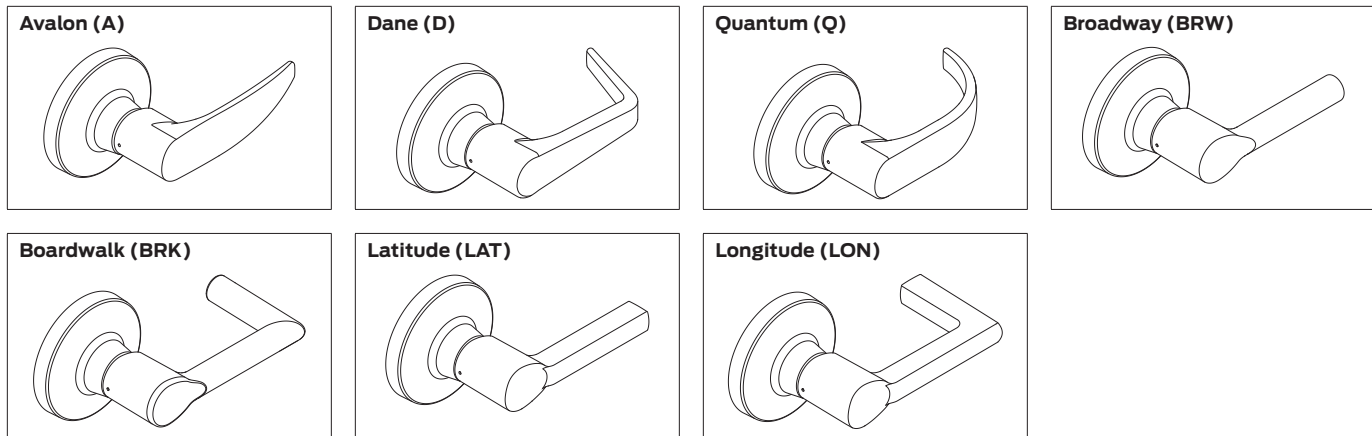
Inside for all functions except T411 and outside for T101, T291 and T301



- a** Apply light film of grease on surfaces with brush or equivalent.
- b** Barrel or tumble with grease to achieve approximately .015-.040 film thickness

Parts and Accessories

Levers



Closed Levers

Style	Part number	Description
Avalon	030740-000	Outside
	A30753-00A	Inside, w/set screw
	A31544-00A	Inside, w/set screw, 851/881
Boardwalk	Q330-430-BRK	Outside
	A30753-00-BRK	Inside, w/set screw
	A31544-00-BRK	Inside, w/set screw, 851/881
Broadway	Q330-430-BRW	Outside
	A30753-00-BRW	Inside, w/set screw
	A31544-00-BRW	Inside, w/set screw, 851/881
Dane	030742-000	Outside
	A30753-00D	Inside, w/set screw
	A31544-00D	Inside, w/set screw, 851/881
Latitude	Q330-430-LAT	Outside
	A30753-00-LAT	Inside, w/set screw
	A31544-00-LAT	Inside, w/set screw, 851/881
Longitude	Q330-430-LON	Outside
	A30753-00-LON	Inside, w/set screw
	A31544-00-LON	Inside, w/set screw, 851/881
Quantum	030744-000	Outside
	A30753-00Q	Inside, w/set screw
	A31544-00Q	Inside, w/set screw, 851/881

Open Levers

Style	Part number	Description
Avalon	030740-001	Outside
	030929-001	Corbin Russwin, Medeco, Yale unit
	030996-001	Sargent 6, 7 and 10 line, Yale
	A30753-01A	Inside, w/set screw
Boardwalk	Q330-431-BRK	Outside
	A30753-01-BRK	Inside, w/set screw
Broadway	Q330-431-BRW	Outside
	A30753-01-BRW	Inside, w/set screw
Dane	030742-001	Outside
	030929-002	Corbin Russwin, Medeco, Yale unit
	030996-002	Sargent 6, 7 and 10 line, Yale
	A30753-01D	Inside, w/set screw
Latitude	Q330-431-LAT	Outside
	A30753-01LAT	Inside, w/set screw
Longitude	Q330-431-LON	Outside
	A30753-01-LON	Inside, w/set screw
Quantum	030744-001	Outside
	030929-003	Corbin Russwin, Medeco, Yale unit
	030996-003	Sargent 6, 7 and 10 line, Yale
	A30753-01Q	Inside, w/set screw

FSIC Levers

Style	Part number	Description
Avalon	030926-001	ASSA, Medeco, Yale
	030927-001	Schlage
	030928-001	Corbin Russwin
	030930-001	Sargent
Boardwalk	Q330-433-BRK	Schlage
Broadway	Q330-433-BRW	Schlage
Dane	030926-002	ASSA, Medeco, Yale
	030927-002	Schlage
	030928-002	Corbin Russwin
	030930-002	Sargent
Latitude	Q330-433-LAT	Schlage
Longitude	Q330-433-LON	Schlage
Quantum	030926-003	ASSA, Medeco, Yale
	030927-003	Schlage
	030928-003	Corbin Russwin
	030930-003	Sargent

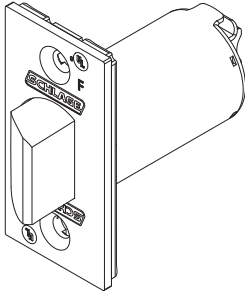
SFIC Levers

Style	Part number	Description
Avalon	030740-002	Lever, Avalon SFIC
Boardwalk	Q330-432-BRK	Lever, Boardwalk SFIC
Broadway	Q330-432-BRW	Lever, Broadway SFIC
Dane	030742-002	Lever, Dane SFIC
Latitude	Q330-432-LAT	Lever, Latitude SFIC
Longitude	Q330-432-LON	Lever, Longitude SFIC
Quantum	030744-002	Lever, Quantum SFIC

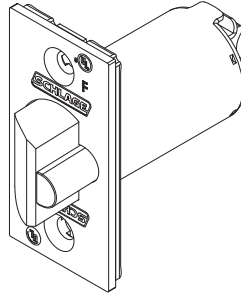
Latches

Finishes available: 606, 613, 630

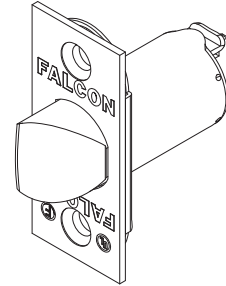
23981137, Spring latch, standard
Square corner, 1 1/8" x 2 1/4"
2 3/4" Backset



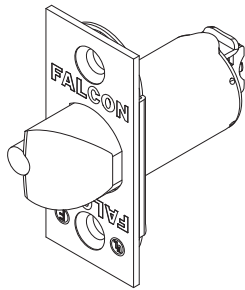
23981145, Dead latch, standard
Square corner, 1 1/8" x 2 1/4"
2 3/4" Backset



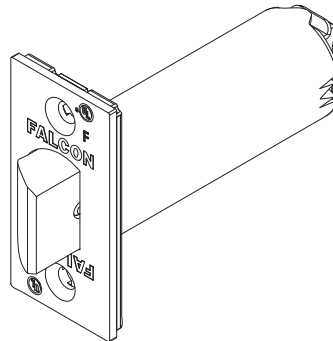
23981111, Spring latch
Square corner, 1" x 2 1/4"
2 3/8" Backset



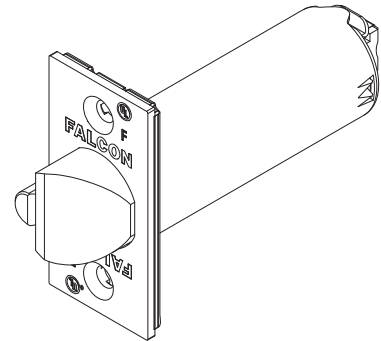
23981160, Dead latch
Square corner, 1" x 2 1/4"
2 3/8" Backset



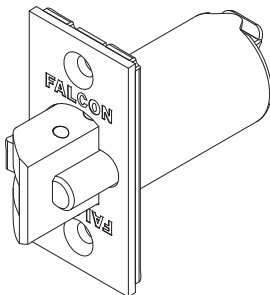
24074387, Spring latch
Square corner, 1 1/8" x 2 1/4", 1/2" throw
3 3/4" Backset



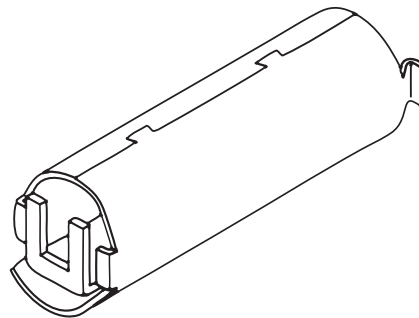
23981129, Dead latch
Square corner, 1 1/8" x 2 1/4", 1/2" throw
3 3/4" Backset



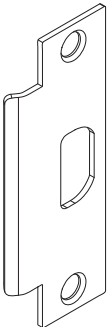
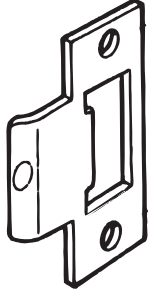
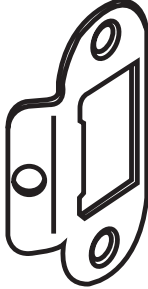

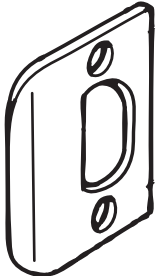
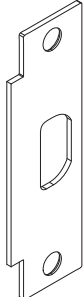

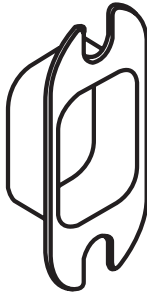
23981152, Dead latch for anti-friction fire door
Square corner, 1 1/8" x 2 1/4", 3/4" throw
2 3/4" Backset



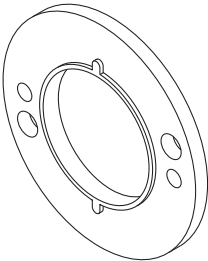
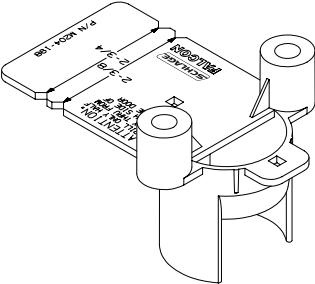
43-005
Link for 5" Backset
For use with 2 3/4" backset latches (except 23981152 anti-friction fire door latch)



Strikes and dust boxes

<p>005164-000 ANSI, std. 1¼" x 47/8" 1¾" lip length</p> 	<p>A05185-000 Square corner T-strike 1½" x 2¾" 1½" lip length</p> 	<p>A05185-004 9/16" Radius round corner T-strike, 1½" x 2¾" 9/16" lip length</p> 	<p>Q001-048 ¼" Radius round corner, full lip, 1½" x 2¼", 1" lip length</p> 
<p>Q001-049 Square corner full lip, 1½" x 2¼", 1" lip length</p> 	<p>005161-000 ANSI 1¼" x 47/8", 7/8" lip length</p> 	<p>005099-000-30 ANSI dust box, steel, 1" deep</p> 	<p>012191-003-70 Dust box, ½" deep, for use with 2¾" strike</p> 

Miscellaneous parts and accessories

<p>A30775-000-00 Thin door installation kit For doors 13/8"–13/4" thick Kit includes two (2) spacers</p> 	<p>M204-198, Drill fixture Guide for locating 5/16" thru-bolt holes</p> 
---	--

Installation Instructions

T-Series

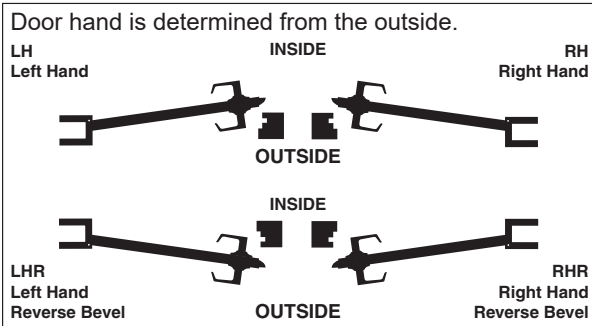
FALCON®

Extra Heavy Duty Lockset

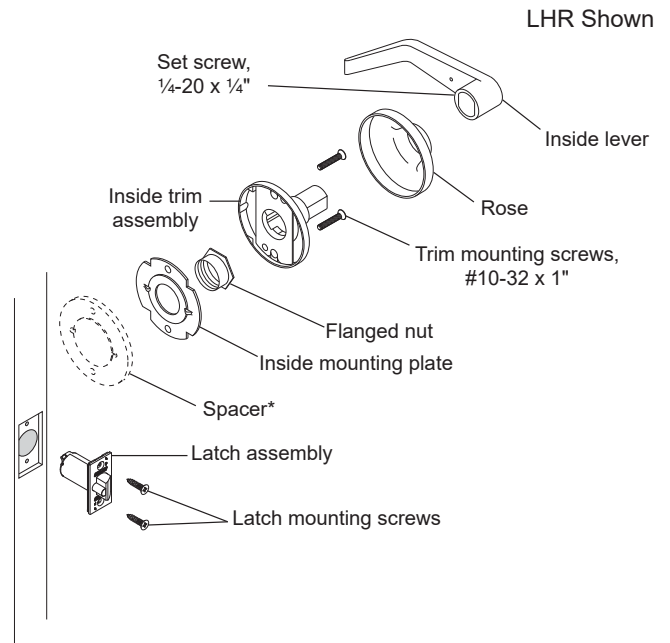
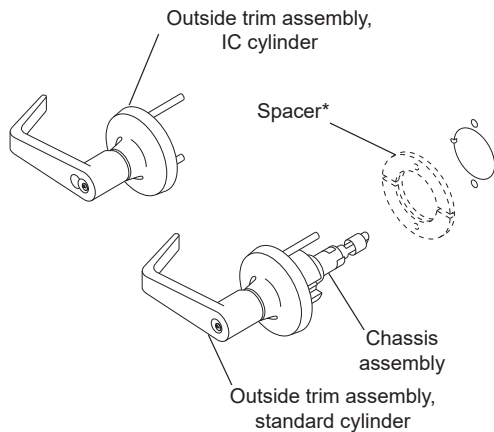
Installation Instructions

IMPORTANT: This lock is non-handed. Lock is factory packed preadjusted for 1 3/4" (45 mm) thick doors. To adjust the lock for other door thickness, see "Adjust for door thickness (if necessary)". Spacers must be used for doors thinner than 1 3/4" (45 mm) thick. For functions T351, T381, T561 and T571, see "Timing instructions" for standard cylinder and IC core cylinder timing instructions.

For single dummy function (T12), go to step 7.



See page 5 for explanation of Warnings, Cautions and Notices.



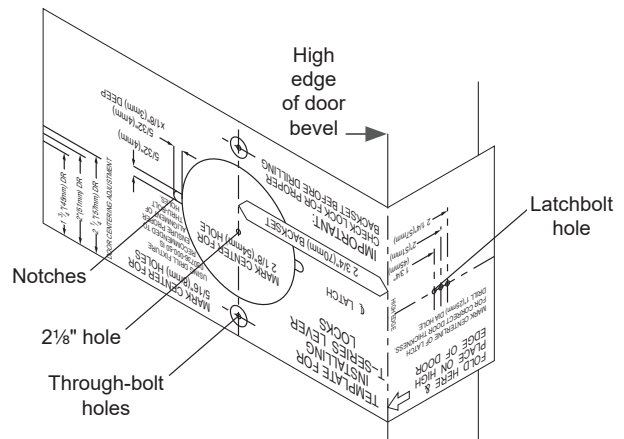
*Spacer required for doors less than 1 3/4" thick.

Installation Preparation

A Mark the door.

- a. Fold the template as shown with the fold on the high edge of door bevel. Position template centerline on door height line (suggested height is 38" (97 cm) from finished floor).
- b. Mark the door at positions indicated:
 - One 2 1/8" hole
 - Two notches on sides of the 2 1/8" hole (notches must be horizontal)
 - Two through-bolt holes
 - One latchbolt hole on the door edge.

- ① For single dummy function (T12), mark only the two through-bolt holes.
- ① If preparing a door with existing 2 1/8" hole, fold the template in half to mark the positions for two through-bolt holes. Be sure to mark positions for the notches.
- ① If steel frames are used, the latch centerline must be in line with the center of the strike preparation on the frame.



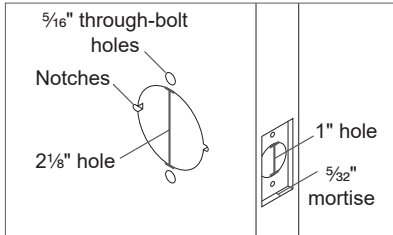
Installation Instructions

B Prepare the door.

- Drill a 2 1/8" (54 mm) hole through the door.
- Drill two 5/16" (8 mm) through-bolt holes.

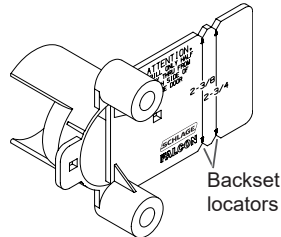
Notice

When drilling through the door, drill from both sides to avoid splintering wood.



- ① **Note:** A drill guide is recommended to ensure straight and level holes. If using the Falcon optional drill guide, make certain the correct backset locators are even with the door edge.

Falcon optional
drill guide,
M204-198



- Drill 1" hole on door edge to intersect with 2 1/8" hole.
- Using the latch faceplate as a guide, trace outline and mortise the door edge so the latch will be flush with the door.
 - If using 3/4" projection latch additional preparation is required. See "3/4 inch projection latch preparation" for details.
- File two notches 5/32" (4 mm) x 5/32" (4 mm), 1/8" (3 mm) deep on both sides of the door.

For wood door jambs:

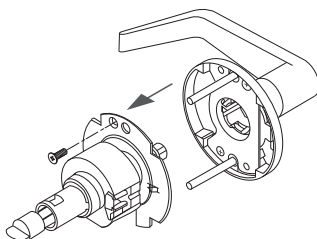
- Close the door and mark the position for the hole in the jamb using a strike locating tool or other pointed object.
- Open the door and drill a 1" (25 mm) hole, at least 3/4" (19 mm) deep, in the jamb.

Adjust for door thickness (if necessary)

For 1 3/4" (45 mm) thick doors, skip to step 1.

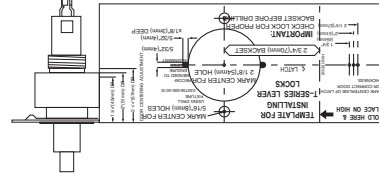
If door is not 1 3/4" (45 mm) thick, complete the following steps to adjust for door thickness.

- A Remove outside trim retaining screw and slide the outside trim from the chassis.



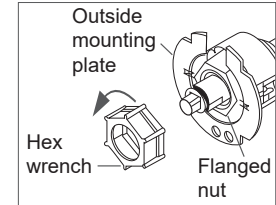
2

- B Place template against retractor housing to locate door thickness mark.



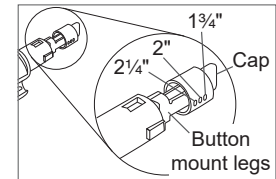
- C For doors greater than 1 3/4" (45 mm)

- Use hex wrench (included) to rotate the flanged nut counterclockwise.



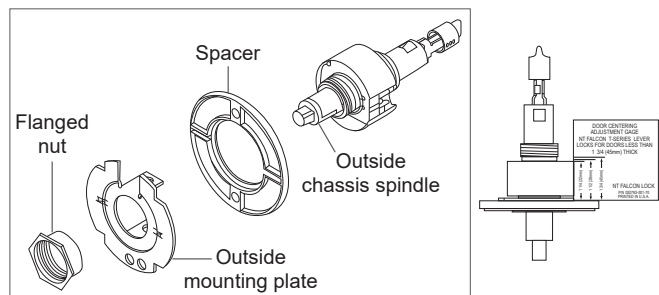
- Use the template to confirm accurate adjustment. Note: Three (3) full turns = 1/8" (3 mm).

- Pinch the button mount legs together and move the button cap to the desired position.

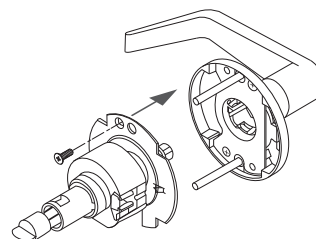


For doors less than 1 3/4" (45 mm)

- Use hex wrench (included) to remove the flanged nut.
- Remove the outside mounting plate.
- Place one spacer over the outside chassis spindle.
- Reinstall outside mounting plate and flanged nut.
- Place the adjusting gauge against retractor housing and make any necessary additional adjustments to the flanged nut for proper door thickness.
- Install the second spacer with the inside mounting plate at step 3.



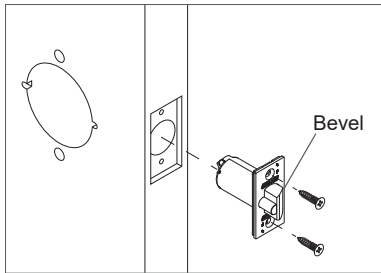
- D Slide the chassis on to the outside trim and secure the trim retaining screw.



Lock Installation

1 Install the latch.

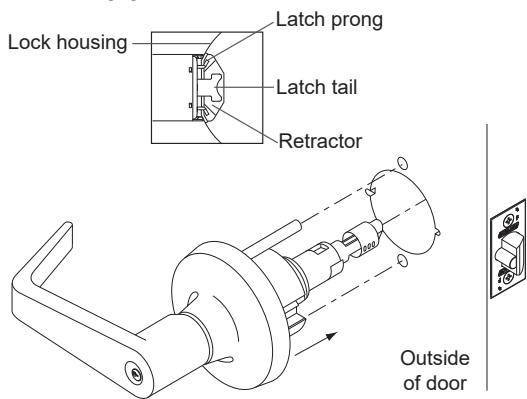
The bevel must face toward the door stop.



2 Install chassis and outside trim assembly.

2a Unlock the lock.

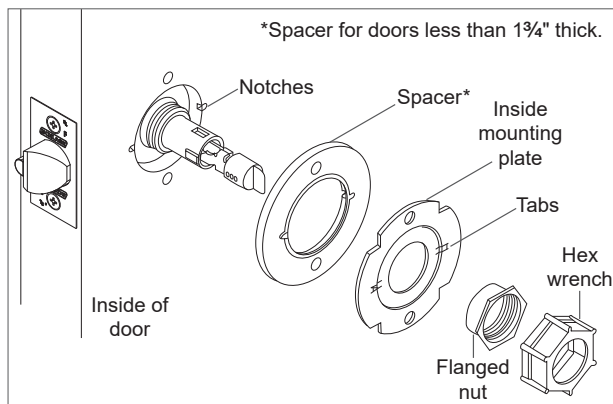
2b Slide the chassis and outside trim assembly into the door. Make sure the lock housing engages the latch prongs and the retractor engages the latch tail.



3 Install inside mounting plate.

3a Place inside mounting plate over chassis assembly. Make sure the tabs engage with the notches in the door. For doors less than 1 3/4" thick only, install the spacer.

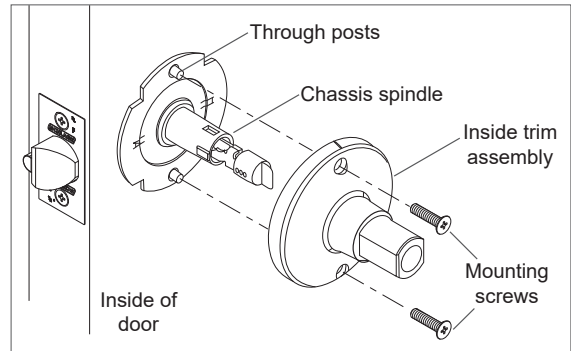
3b Use the hex wrench (included) to tighten the flanged nut over the chassis.



3

4 Install inside trim assembly.

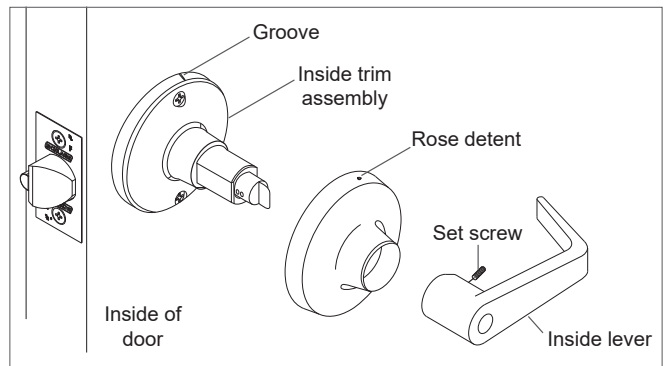
Place the inside trim assembly over the chassis spindle. Through posts will engage the assembly on 1 3/4" (45 mm) thick doors.



5 Install inside rose and lever.

5a Position the rose over the inside trim assembly.

Make sure the rose detent engages the groove in the trim assembly.



5b Install the lever and tighten the set screw with the hex key (included).

IMPORTANT! Test operation to be sure the latchbolt moves freely. DO NOT FORCE!

If the lock does not operate properly:

Remove the lock from the door and check door preparation (see "Installation Preparation") and door thickness adjustment (see "Adjust for door thickness (if necessary)").

For T351, T381, T561 and T571 only, check lock timing (see "Timing instructions").

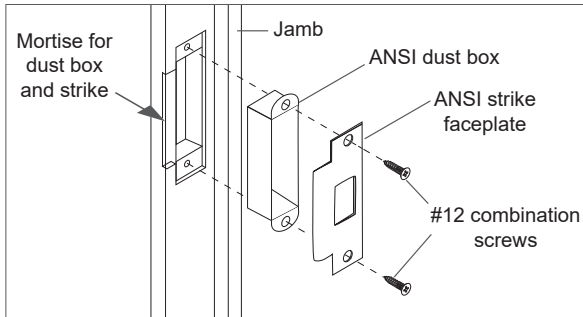
Go back to step 2 to reinstall the lock.

Installation Instructions

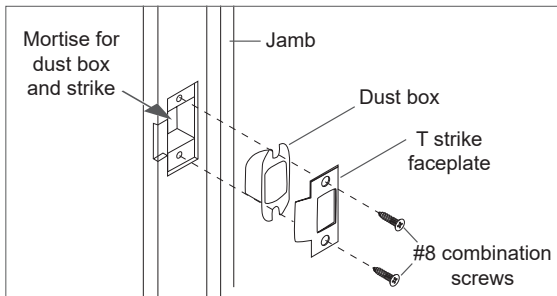
6 Prepare the door jamb and install the strike.

When installing on a wood door jamb, complete steps 6a and 6b:

- 6a Center the strike opening over 1" (25 mm) hole in jamb. Then, trace the outline around the strike on the door jamb.
- 6b Mortise the door jamb to accommodate the strike dust box and the strike faceplate.
- 6c Insert the strike box if required and fasten the strike to the jamb with appropriate screws as shown.



ANSI strike (standard)



T strike (optional)

CAUTION

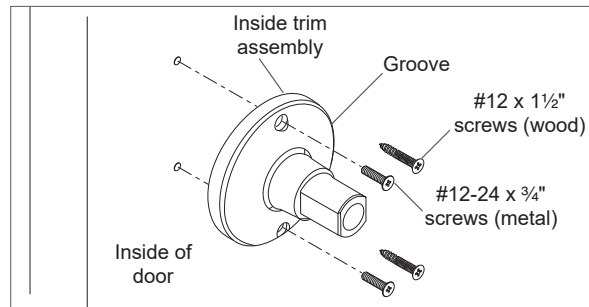
Deadlocking plunger of the latchbolt must not enter the opening in the strike plate.



- ① **Note:** When the strike box is not used, the recess in the jamb must be a minimum of $\frac{1}{16}$ " (14 mm) deep to allow the latchbolt to extend to its full projection.

7 Install single dummy (T12) trim.

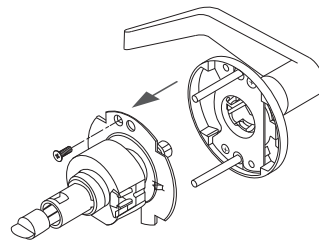
- 7a Using the template described at step A, locate and mark the center for two (2) mounting holes.
Wood doors: Drill two (2) pilot holes $\frac{5}{32}$ " (4 mm) x $\frac{7}{8}$ " (22 mm) deep for #12 wood screws.
Metal doors: Drill and tap two (2) holes for #12-24 machine screws.
- 7b Secure the inside trim/spindle assembly to the door with the appropriate screws.



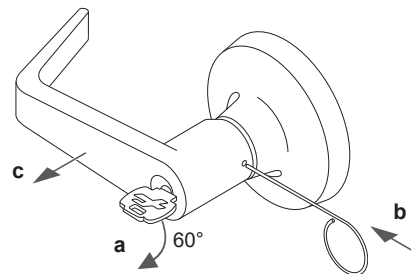
- 7c See step 5 for rose and lever installation.

Remove keyed lever trim

Remove outside trim retaining screw and slide the outside trim from the chassis.



Remove cylinder levers except IC cylinder levers



- a. Insert the key and rotate clockwise approximately 60° .
b. Depress lever retainer with pin wrench.
c. Slide lever off spindle.

Reinstall cylinder levers (except IC)

- Insert cylinder into spindle.
- Slide lever onto spindle and push on over the lever retainer.
- Insert key into cylinder and rotate clockwise approximately 60° and push lever over retainer.
- Pull on the lever to be sure the lever retainer is engaged.

Installation Instructions

Remove IC cylinder levers

- Insert the control key and rotate clockwise 15°. Pull the key to remove the core.
- Insert flat screwdriver into the figure 8 cylinder opening and into the lever retainer.
- Depress lever retainer and slide lever off spindle.

Reinstall IC cylinder levers

- Slide lever onto spindle and push on over the lever retainer.
- Pull on the lever to be sure the retainer is engaged.
- Reinstall the IC core with the tailpiece pushed into the core.

Interchangeable core tailpiece

Use the correct tailpiece with the IC core:
Six pin cores should use only the 6P tailpiece. Seven pin cores should use only the 7P tailpiece.

Tailpiece installation

The tailpiece must be installed correctly for proper lock function. All T-Series tailpieces should be installed vertically in the cylinder.

T381 tailpiece only

Long tailpiece

Outside standard cylinder assy

Short tailpiece

Inside standard cylinder assy

Long tailpiece

Outside IC core assy

Short tailpiece

Inside IC core assy

See "Tailpiece installation" for standard cylinder tailpiece installation.
See "Interchangeable core tailpiece" for IC core tailpiece installation.

3/4 inch projection latch preparation

- On side of latch closest to door stop remove shaded area as shown. Use a standard rotary file $\frac{3}{8}$ " maximum.
- Test the latch for fit and function.
- Secure the latch with two #8-32 screws (provided).

Warnings, Cautions and Notices

WARNING

Warnings indicate potentially hazardous conditions, which if not avoided or corrected, may cause death or serious injury.

CAUTION

Cautions indicate potentially hazardous conditions, which if not avoided or corrected, may cause minor or moderate injury. Cautions may also warn against unsafe practices.

NOTICE

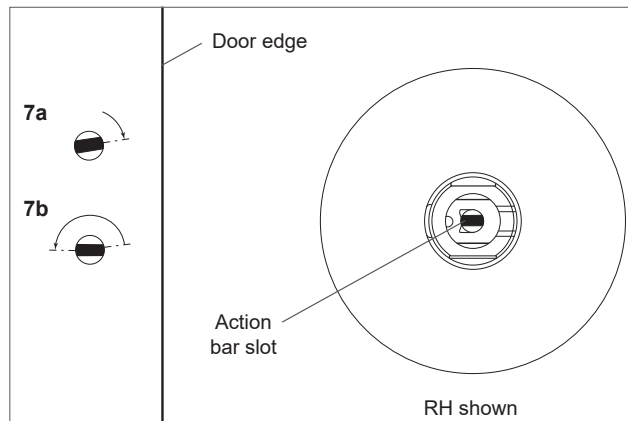
Notices indicate a condition that may cause equipment or property damage only.

Timing instructions

For standard cylinder locks functions T351, T381, T561, T571

① If cylinder and lever are installed, see "Remove keyed lever trim" for lever removal instructions.

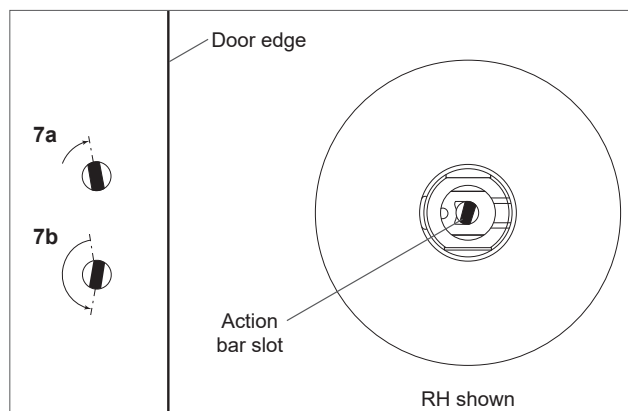
- 7a Using a thin flat screwdriver, turn the action bar slot clockwise until it stops at approximately 2:00.
- 7b Turn the action bar slot counterclockwise to the 9:00 position. Note: there is no physical stop at this location.
- 7c With the key out, install the standard cylinder into the spindle.
- 7d See "Reinstall cylinder levers (except IC)" for lever reinstallation.
- 7e Test key for proper operation.



For IC core cylinder locks functions T351, T381, T561, T571

① If the IC core is installed, see "Remove IC cylinder levers" for IC core removal instructions.

- 7a Using a thin flat screwdriver, turn the action bar slot clockwise until it stops at approximately 11:00.
- 7b Turn the action bar slot counterclockwise to the 7:00 position. Note: there is no physical stop at this location.
- 7c Using the control key, install the IC core cylinder into the lever and spindle.
- 7d Remove the control key
- 7e Test key for proper operation.



Warranty

Falcon Door Hardware warrants its mechanical offering of locks, exit devices and door controls products manufactured to be free from defects in materials and workmanship for a period of TEN (10) YEARS from the date of manufacture with the exception of the products detailed in the table below. The terms and conditions of this new warranty apply to Falcon Door Hardware shipments made on or after November 1st, 2008.

This limited warranty does not cover products that (i) are not the proper size for the application; (ii) are not installed in accordance with Falcon's published installation instructions; (iii) are installed with improper or incorrect parts; (iv) have been modified, repaired, or altered in any way without the express written consent of Falcon; (v) are used for purposes which they are not designed or intended; (vi) are subjected to misuse, abuse, negligence, or accident; or (vii) are Grade 2 products used in educational facilities and student housing. The following costs and expenses are not covered by the provisions of this limited warranty; (i) labor costs for the removal and reinstallation of products; (ii) shipping and freight expenses required to return products to Falcon; (iii) normal maintenance; and (iv) economic losses. **THE PROVISIONS OF THIS WARRANTY DO NOT APPLY TO FINISHES.**

Falcon will replace the products that are found to be defective, provided said products are returned to Falcon within fifteen (15) days of defect.

FALCON SHALL IN NO EVENT BE LIABLE FOR ANY INCIDENTAL, CONSEQUENTIAL, INDIRECT, SPECIAL, OR PUNITIVE DAMAGES FOR ANY CLAIM WHETHER BASED ON CONTRACT, WARRANTY, TORT (INCLUDING, BUT NOT LIMITED TO, STRICT LIABILITY OR NEGLIGENCE), PATENT INFRINGEMENT, OR OTHERWISE, EVEN IF ADVISED OF THE POSSIBILITY OF SUCH DAMAGES.

This limited warranty replaces all other warranties, expressed or implied, and excludes any warranties of fitness for a particular purpose or merchantability. No agent, representative, dealer, or employee of Falcon has the authority to increase or alter the obligations of this limited warranty.

Note: Should the Product be considered a "consumer product" as may be covered by the Magnuson-Moss Federal Warranty Act, please be advised that: (1) Some states do not allow limitations on incidental or consequential damages or how long an implied warranty lasts, so that the above limitations may not fully apply; and (2) This warranty gives specific legal rights and a user may have rights which may vary from state to state.

PRODUCT EXCEPTION	WARRANTY
OHC100A CONCEALED CLOSERS	5 YEARS
8200 AUTOMATIC OPERATOR	2 YEARS
ELECTRONICS/ELECTRIFIED	1 YEAR

About Allegion

Allegion (NYSE: ALLE) is a global pioneer in safety and security, with leading brands like CISA®, Interflex®, LCN®, Schlage®, SimonsVoss® and Von Duprin®. Focusing on security around the door and adjacent areas, Allegion produces a range of solutions for homes, businesses, schools and other institutions. Allegion is a \$2 billion company, with products sold in almost 130 countries.

For more, visit www.allegion.com.

aptiQ ■ LCN ■ **SCHLAGE** ■ STEELCRAFT ■ VON DUPRIN