

FALCON®

Door controls



Table of contents

4-7	SC70A Series
8-11	SC80A Series
12-15	SC60A Series
16-19	SC90A Series
20-22	OHC100 Series
22-24	8200 Series
25-27	How to order
28	Cylinder options and competitive cross reference
29	Sample specifications
30	Warranty



The Falcon difference

Safety, security and uncompromising value

At Falcon, we know that every product you sell not only has to meet local building codes, but also your expectations for performance and quality. We take your expectations seriously, and that's why we build our door closers to deliver durability, convenience and unmatched value. After all, we've built our reputation on the same standards that you have – providing quality products at a reasonable price delivered on time. It's the way we do business and it's what makes Falcon door closers a powerful choice no matter what your project.



SC70A Series



Falcon SC70A Series heavy duty closers are built for applications that demand reliable door control and easy maintenance. The SC70A Series closers are ANSI grade 1, ADA compliant and deliver tough performance. Choose the SC70A for interior or exterior doors in retail shops, restaurants, small offices and many other high traffic applications.

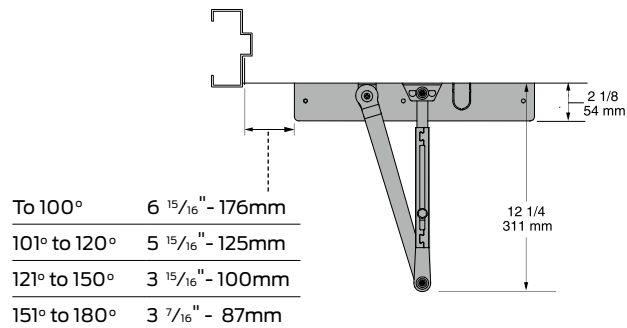
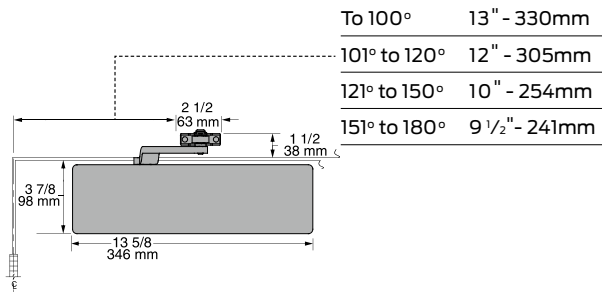
Standard features

- Fully adjustable sizes 1-6
- Separate adjustable general speed, latch speed and backcheck
- Closer mounts hinge side, top jamb or parallel arm when either the RW/PA or HW/PA arm is specified
- Non-handed for left or right swinging doors
- 1 1/2" diameter heat treated steel piston
- Double heat-treated pinion
- Universal screw pack for aluminum, hollow metal, and wood doors, includes self reaming and tapping screws
- Staked valves
- Meets ANSI A117.1
- Listed ANSI/BHMA A156.4, grade 1
- UL listed and compliant to UL10C and UBC 7-2 (1997)
- Fast and easy installation
- 10-year warranty
- Available in aluminum, brass, dark bronze, and matte black

Listings and ratings

The Falcon SC71A is UL approved and compliant with the UL 10C and UBC 7-2 (1997) fire test. Additionally, the SC71A is rated ANSI/BHMA A156.4, grade 1 and designed to meet the American Disabilities Act (ADA) and ANSI A117.1

SC70A Series hinge (pull side)



Butt hinges should not exceed 5" (127mm) in width.

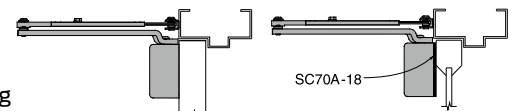
Auxiliary stop is recommended at hold-open point or where a door cannot swing 180°.

Reveal should not exceed 3/4" (19mm) for regular arm or hold-open arm.

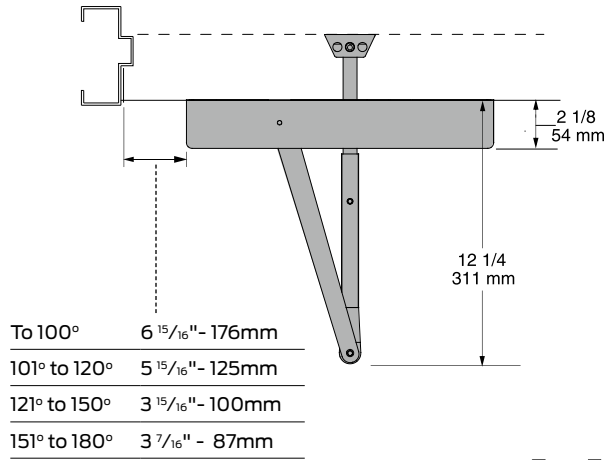
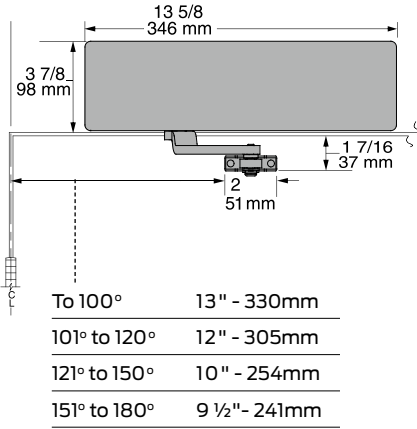
Top rail less than 3 7/8" (98mm) requires plate SC70A-18.

Clearance of 2 1/8" (54mm) behind door required for 90° installation.

Delayed action add suffix "DEL" to selected cylinder (ex. SC70A DEL). Delays closing from maximum opening to approx. 70° with adjustable delay time.



SC70A Series top jamb (push side)



Butt hinges should not exceed 5" (127mm) in width.

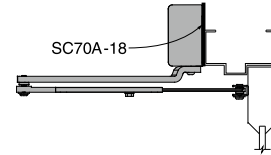
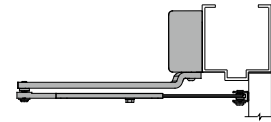
Auxiliary stop is recommended at hold-open point or where a door cannot swing 180°

Reveal should not exceed 3 1/4" (83mm) for regular arm or hold-open arm.

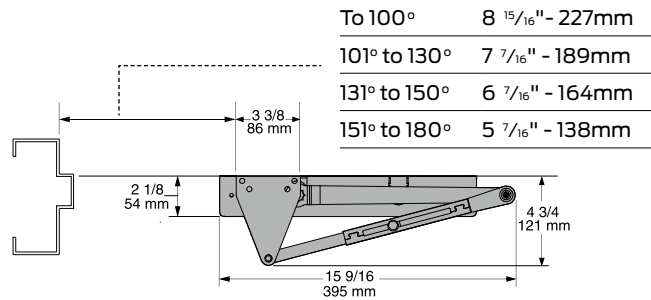
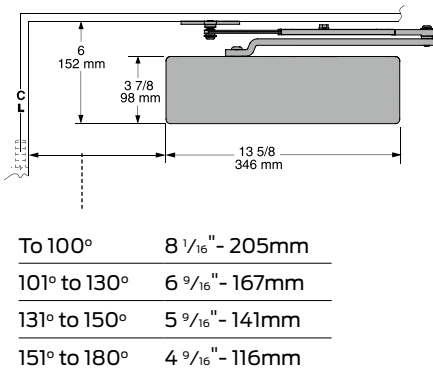
Top rail of 1 1/2" (38mm) required.

Head frame less than 3 7/8" (98mm) requires plate SC70A-18.

Delayed action add suffix "DEL" to selected cylinder (ex. SC70A DEL). Delays closing from maximum opening to approx. 70°, with adjustable delay time.



SC70A Series parallel (push side)

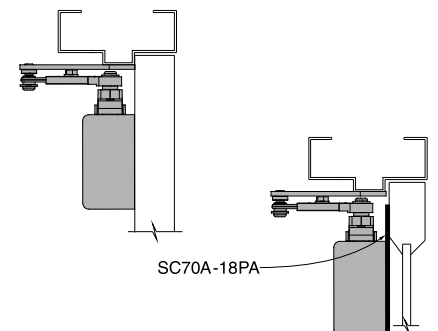


Butt hinges should not exceed 5" (127mm) in width.

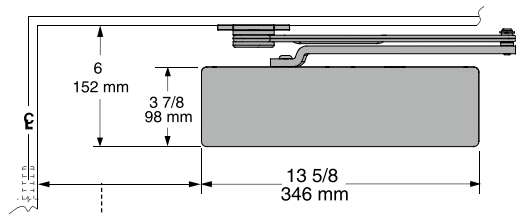
Auxiliary stop is recommended at hold-open point or where a door cannot swing 180°

Top rail less than 6" (152mm) measured from stop requires plate SC70A-18PA.

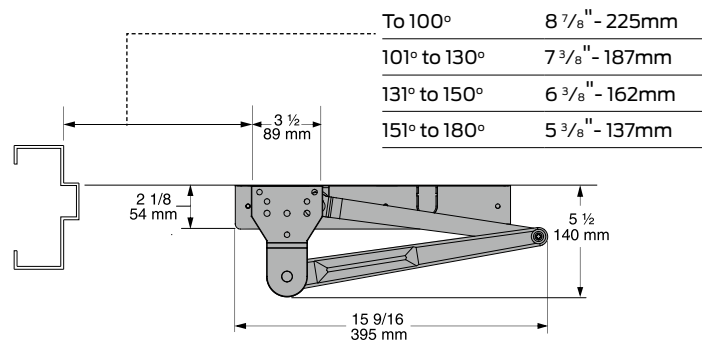
Delayed action add suffix "DEL" to selected cylinder (ex. SC70A DEL). Delays closing from maximum opening to approx. 70°, with adjustable delay time.



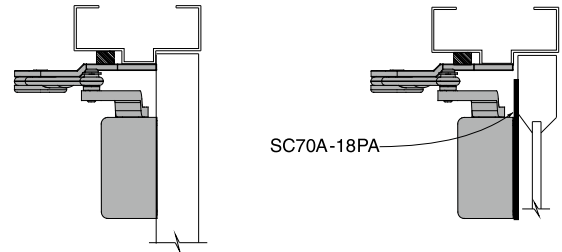
SC70A Series heavy duty (parallel)



To 100°	8 1/16" - 205mm
101° to 130°	6 9/16" - 167mm
131° to 150°	5 9/16" - 141mm
151° to 180°	4 9/16" - 116mm



To 100°	8 7/8" - 225mm
101° to 130°	7 3/8" - 187mm
131° to 150°	6 3/8" - 162mm
151° to 180°	5 3/8" - 137mm



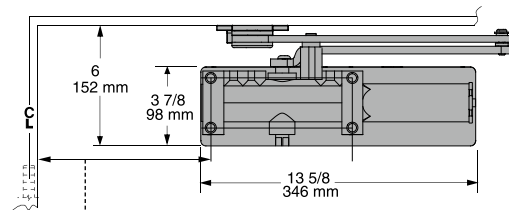
Butt hinges should not exceed 5" (127mm) in width.

Auxiliary stop is recommended at hold-open point, where a door cannot swing 180°, or where dead stop or spring-n-stop arm is not used.

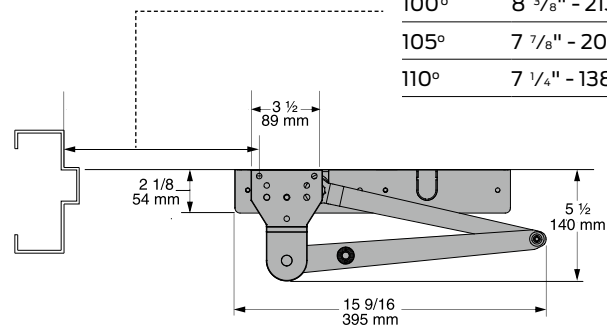
Top rail less than 6" (152mm) measured from stop requires plate SC70A-18PA.

Delayed action add suffix "DEL" to selected cylinder (ex. SC70A DEL). Delays closing from maximum opening to approx. 70°, with adjustable delay time.

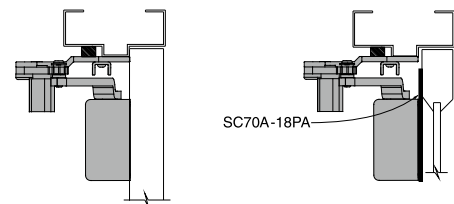
SC70A Series dead stop HO (parallel)



85°	10 1/8" - 257mm
90°	9 1/4" - 235mm
95°	8 5/8" - 219mm
100°	7 7/8" - 200mm
105°	7 3/8" - 187mm
110°	6 3/4" - 171mm



85°	10 5/8" - 270mm
90°	9 3/4" - 248mm
95°	9 1/8" - 232mm
100°	8 3/8" - 213mm
105°	7 7/8" - 200mm
110°	7 1/4" - 138mm

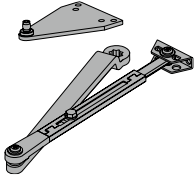


Butt hinges should not exceed 5" (127mm) in width.

Top rail less than 6" (152mm) measured from stop requires plate SC70A-18PA.

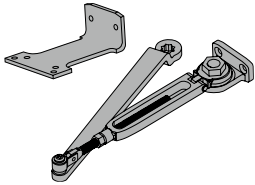
Delayed action add suffix "DEL" to selected cylinder (ex. SC70A DEL). Delays closing from maximum opening to approx. 70°, with adjustable delay time.

Arm types All SC70A Series closers come with full cover, standard arm and screw pack.



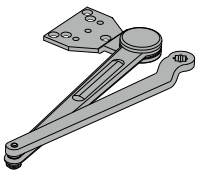
Regular arm, SC70A-3077PA

Non-handed arm with adjustable forearm assembly to accommodate a range of doors and frame reveal conditions. Mounts hinge side, top jamb or parallel arm. PA shoe included to allow installation in a parallel arm configuration.



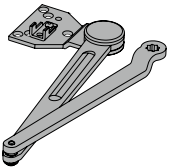
Hold-open arm, SC70A-3049PA

Optional, non-handed, hold open arm with adjustable forearm assembly to accommodate a range of doors and frame reveal conditions. Mounts hinge side, top jamb or parallel arm. PA shoe included to allow installation in a parallel arm configuration.



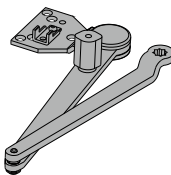
Heavy duty regular arm, SC70A-3077HD

Optional, non-handed, stamped, heavy duty, parallel arm for use in high-traffic applications.



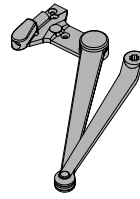
Dead stop arm, SC70A-3077DS

Optional, non-handed, stamped, heavy duty, parallel arm includes a positive mechanical stop and non-adjustable forearm assembly for high volume traffic or potentially abusive installation conditions.



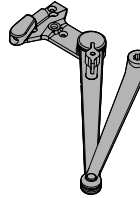
Dead stop hold-open arm, SC70A-3049DS

Optional, non-handed, stamped, heavy duty, hold-open parallel arm includes a positive mechanical stop and non-adjustable forearm assembly for high volume traffic or potentially abusive installation conditions. Also includes a manually selective hold-open function.



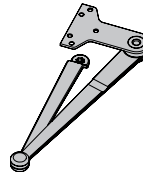
Spring-n-stop arm, SC70A-3077SS

Optional, non-handed, extra heavy-duty, forged parallel arm includes an integral spring stop and non-adjustable forearm assembly for high volume traffic or potentially abusive installation conditions.



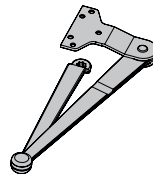
Spring-n-stop hold-open arm, SC70A-3049SS

Optional, non-handed, extra heavy-duty, forged parallel arm includes an integral spring stop and non-adjustable forearm assembly for high volume traffic or potentially abusive installation conditions. Also includes a manually selective hold-open function.



Forged arm, SC70A-3077FA

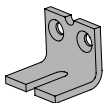
Optional, non-handed, extra heavy-duty arm with parallel arm bracket. Includes a forged steel main arm and forearm for maximum durability in high traffic and/or abusive applications. Parallel Arm (PA) bracket is a permanent feature, installation on "push" side of the door in a parallel arm type configuration is required.



Forged arm with hold open, SC70A-3049FA

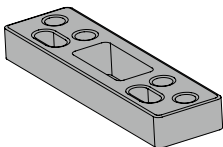
Optional, left or right handed, extra heavy-duty arm with parallel arm bracket that incorporates a hold open feature. Includes a forged steel main arm and forearm for maximum durability in high traffic and/or abusive applications. Parallel Arm (PA) bracket is a permanent feature, installation on "push" side of the door in a parallel arm type configuration is required.

Installation accessories



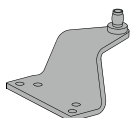
Soffit shoe support, SC70A-30

Provides anchorage for fifth screw used with soffit shoe, where reveal is less than 3 1/16" (78mm).



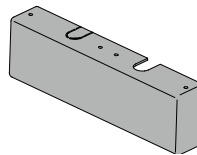
Blade stop spacer, SC70A-61

Required to lower parallel arm shoe to clear 1/2" (13mm) blade stop.



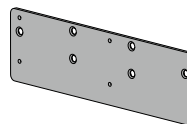
Auxiliary shoe, SC70A-62A

Requires a top rail of 7" (178mm). Optional shoe replaces PA shoe for parallel arm mounting of regular arm with overhead holder/stop.



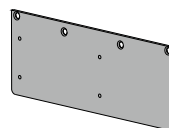
Cover, SC70A-72

Standard, non-handed, full plastic cover encloses the closer body.



Plate, SC70A-18

Required for hinge side mount where top rail is less than 3 7/8" (98mm). Required for top jamb mounting where head frame is less than 3 7/8" (98mm).



Plate, SC70A-18PA

Required for parallel arm mounting where top rail is less than 6" (152 mm), measured from the stop. Plate requires 1 3/4" (44mm) minimum top rail measured from stop.

SC80A Series



Medium-duty applications like retail storefronts, cafes and clinics that need a closer that makes door operation smooth and secure. The Falcon SC80A Series brings ANSI grade 1 durability and reliable performance to interior and exterior doors. An adjustable design ensures flexible installation and ADA compliance.

Standard features

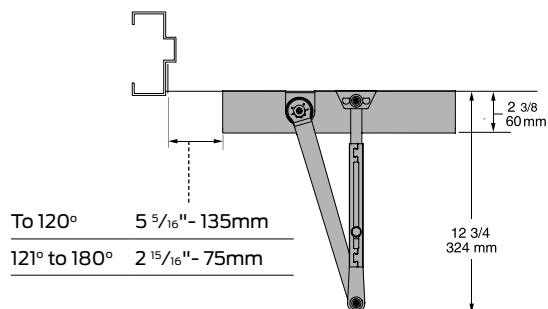
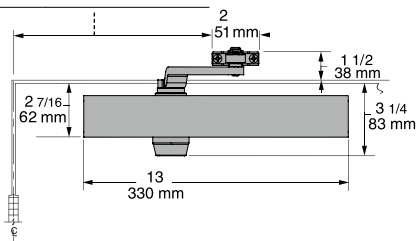
- Single piece cast aluminum body
- Fully adjustable sizes 1-6
- Separate adjustable general speed, latch speed and backcheck
- Closer mounts hinge side, top jamb or parallel arm when either the RW/PA or HW/PA arm is specified
- Non-handed for left or right swinging doors
- 1 1/4" diameter heat treated steel piston
- Heat-treated pinion
- Universal screw pack for aluminum, hollow metal, and wood doors, includes self reaming, and tapping screws
- Staked valves
- Meets ANSI A117.1
- ANSI/BHMA A156.4, grade 1
- UL listed and compliant to UL10C and UBC 7-2 (1997)
- Cover is UL approved for use in fire rated assemblies
- 10-year warranty
- Retrofittable to Norton 8000 hole pattern

Listings and ratings

The Falcon SC81A is UL listed and compliant to UL10C and UBC 7-2 (1997). Additionally, the SC81A is designed to meet the American Disabilities Act (ADA) and ANSI A117.1. The SC81A is rated ANSI/BHMA A156.4, Grade 1.

SC80A Series hinge (pull side)

To 120°	11 3/4" - 298mm
121° to 180°	8 1/2" - 216mm



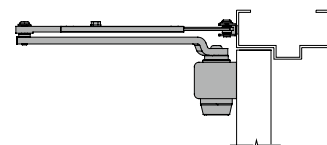
Butt hinges should not exceed 5" (127mm) in width.

Auxiliary stop is recommended at hold-open point or where a door cannot swing 180°

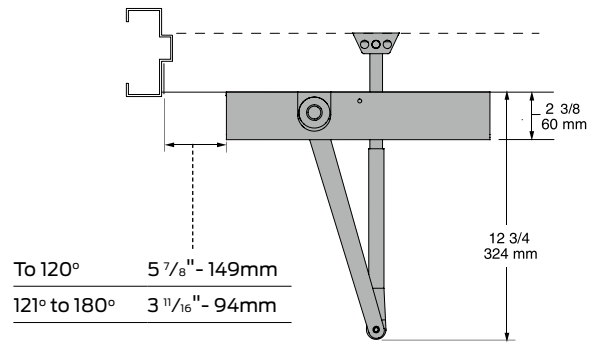
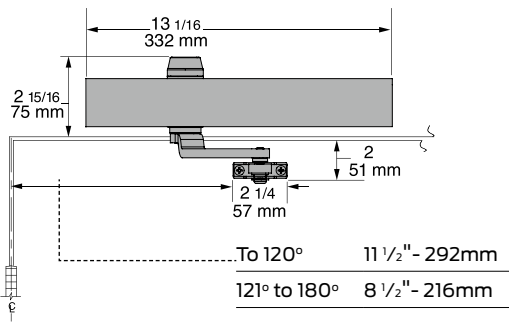
Reveal should not exceed 3/4" (19mm) for regular arm or hold-open arm.

Clearance of 2 3/8" (60mm) behind door required for 90° installation.

Delayed action add suffix "DEL" to selected cylinder (ex. SC80A DEL). Delays closing from maximum opening to approximately 70° with adjustable delay time.



SC80A Series top jamb (push side)



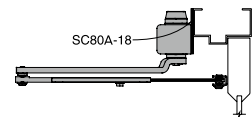
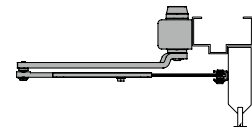
Butt hinges should not exceed 5" (127mm) in width.

Auxiliary stop is recommended at hold-open point or where a door cannot swing 180°.

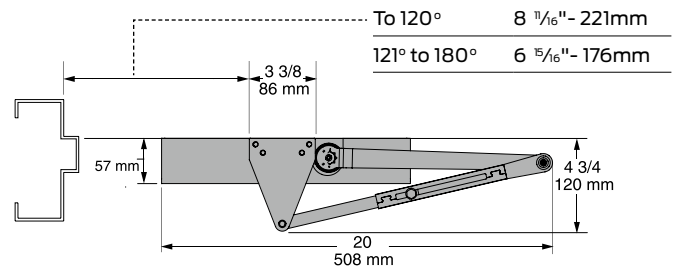
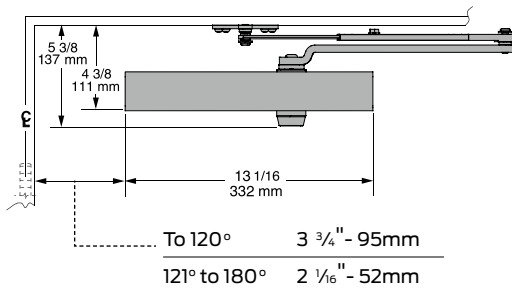
Reveal should not exceed 3 1/4" (83mm) for regular arm or hold-open arm.

Head frame less than 2 5/16" (59mm) requires plate SC80A-18.

Delayed action add suffix "DEL" to selected cylinder (ex. SC80A DEL). Delays closing from maximum opening to approximately 70°, with adjustable delay time.



SC80A Series parallel (push side)

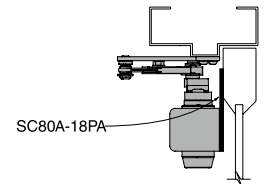
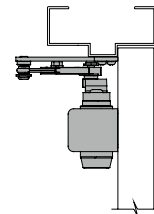


Butt hinges should not exceed 5" (127mm) in width.

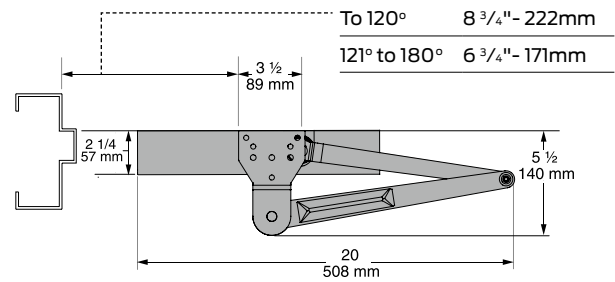
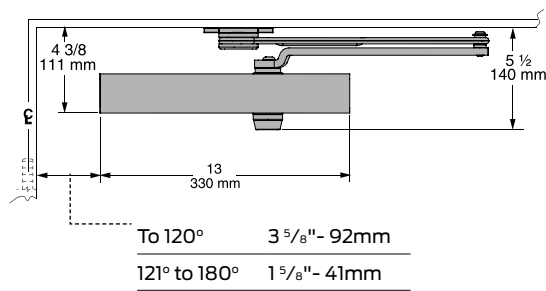
Auxiliary stop is recommended at hold-open point or where a door cannot swing 180°.

Top rail less than 4 3/8" (111mm) measured from stop requires plate SC80A-18PA.

Delayed action add suffix "DEL" to selected cylinder (ex. SC80A DEL). Delays closing from maximum opening to approximately 70°, with adjustable delay time.



SC80A Series heavy duty (parallel)

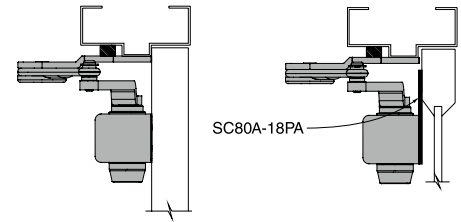


Butt hinges should not exceed 5" (127mm) in width.

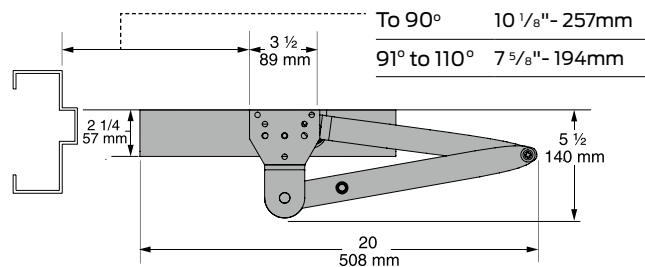
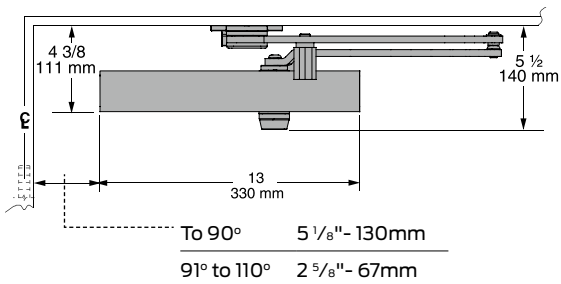
Auxiliary stop is recommended at hold-open point, where a door cannot swing 180°, or where Dead stop or Spring-n-stop arm is not used.

Top rail less than 4 3/8" (111mm) measured from stop requires plate SC80A-18PA.

Delayed action add suffix "DEL" to selected cylinder (ex. SC80A DEL). Delays closing from maximum opening to approximately 70°, with adjustable delay time.



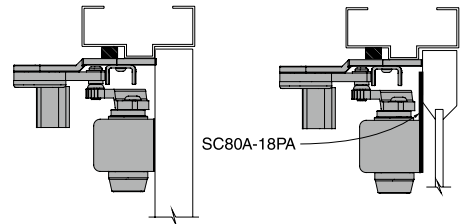
SC80A Series dead stop HO (parallel)



Butt hinges should not exceed 5" (127mm) in width.

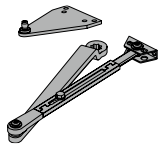
Top rail less than 4 3/8" (111mm) measured from stop requires plate SC80A-18PA.

Delayed action add suffix "DEL" to selected cylinder (ex. SC80A DEL). Delays closing from maximum opening to approximately 70°, with adjustable delay time.

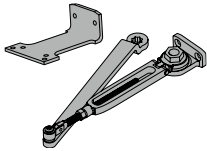


Arm types

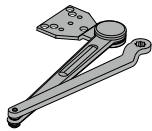
All SC80A Series closers come with slim cover, standard arm and screw pack.



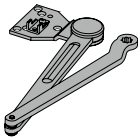
Regular arm, SC80A-3077PA
Non-handed arm with adjustable forearm assembly to accommodate a range of doors and frame reveal conditions. Mounts hinge side, top jamb or parallel arm. PA shoe included to allow installation in a parallel arm configuration.



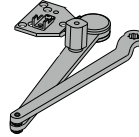
Hold-open regular arm, SC80A-3049PA
Optional, non-handed, hold open arm with adjustable forearm assembly to accommodate a range of doors and frame reveal conditions. Mounts hinge side, top jamb or parallel arm. PA shoe included to allow installation in a parallel arm configuration.



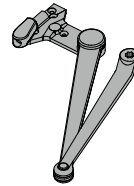
Heavy duty arm, SC80A-3077HD
Optional, non-handed, stamped, heavy duty, parallel arm for use in high-traffic applications.



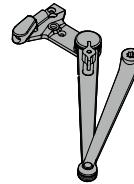
Dead stop arm, SC80A-3077DS
Optional, non-handed, stamped, heavy duty, parallel arm includes a positive mechanical stop and non-adjustable forearm assembly for high volume traffic or potentially abusive installation conditions.



Dead stop hold-open Arm, SC80A-3049DS
Optional, non-handed, stamped, heavy duty, hold-open parallel arm includes a positive mechanical stop and non-adjustable forearm assembly for high volume traffic or potentially abusive installation conditions. Also includes a manually selective hold-open function.



Spring-n-stop arm, SC80A-3077SS
Optional, non-handed, extra heavy-duty, forged parallel arm includes an integral spring stop and non-adjustable forearm assembly for high volume traffic or potentially abusive installation conditions.

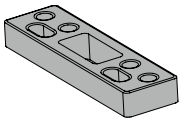


Spring-n-stop hold-open arm, SC80A-3049SS
Optional, non-handed, extra heavy-duty, forged parallel arm includes an integral spring stop and non-adjustable forearm assembly for high volume traffic or potentially abusive installation conditions. Also includes a manually selective hold-open function.

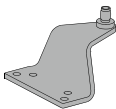
Installation accessories



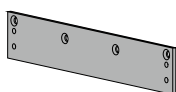
Soffit shoe support, SC80A-30
Provides anchorage for fifth screw used with soffit shoe, where reveal is less than $3\frac{1}{16}$ " (78mm).



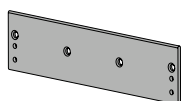
Blade stop spacer, SC80A-61
Required to lower parallel arm shoe to clear $\frac{1}{2}$ " (13mm) blade stop.



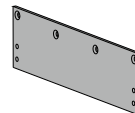
Auxiliary shoe, SC80A-62A
Requires a top rail of 7" (178mm). Optional shoe replaces PA shoe for parallel arm mounting of regular arm with overhead holder/stop.



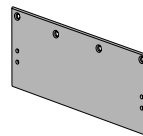
Plate, SC80A-18
Required for top jamb mounting where head frame is less than $1\frac{3}{4}$ " (44mm) or flush ceiling conditions exists.



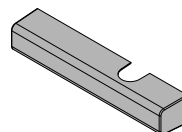
Plate, SC80A-18FC
Required for top jamb mounting where head frame is less than $1\frac{3}{4}$ " (44mm) or flush ceiling conditions exist. To be used with a full cover SC80A-72FC.



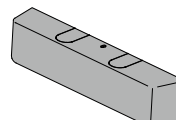
Plate, SC80A-18PA
Required for parallel arm mounting where top rail is less than $4\frac{3}{8}$ " (111mm), measured from the stop. Plate requires $1\frac{7}{8}$ " (48mm) minimum top rail measured from stop.



Plate, SC80A-18PAFC
Required for parallel arm mounting where top rail is less than $4\frac{3}{8}$ " (111mm), measured from the stop. Plate requires $1\frac{7}{8}$ " (48mm) minimum top rail measured from stop. To be used with a full cover SC80A-72FC.



Cover, SC80A-72
Standard, non-handed, slim line plastic cover encloses the closer body with a cap on the unused pinion shaft.



Cover, SC80A-72FC
Optional non-handed, full plastic cover encloses the closer body.

SC60A Series



When you need a dependable closer for a standard-duty application, the Falcon SC60A Series gets the job done. Designed for interior use with an aluminum storefront, the SC60A Series offers ANSI grade 1 durability backed by a ten-year warranty. Most common hole pattern in the industry for versatile use and easy retrofit.

Standard features

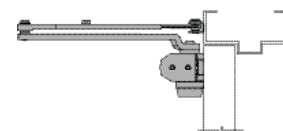
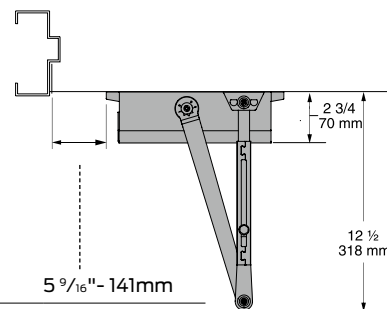
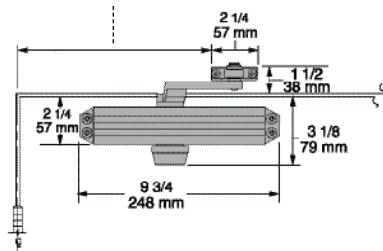
- Single piece cast aluminum body
- Fully adjustable sizes 1-5
- Separate adjustable general speed, latch speed and backcheck
- Closer mounts hinge side, top jamb or parallel arm when either the RW/PA or HW/PA arm is specified
- Non-handed for left or right swinging doors
- Heat-treated pinion and steel piston
- Universal screw pack for aluminum, hollow metal, and wood doors, includes self reaming, and tapping screws
- Staked valves
- Meets ANSI A117.1
- ANSI/BHMA A156.4, grade 1
- UL listed and compliant to UL10C and UBC 7-2 (1997)
- Cover is UL approved for use in fire rated assemblies
- 10-year warranty
- Retrofittable to Norton 1600 hole pattern

Listings and ratings

The Falcon SC60A is UL listed and compliant to UL10C and UBC 7-2 (1997). Additionally, the SC61A is designed to meet the American Disabilities Act (ADA) and ANSI A117.1. The SC60A Series is rated ANSI/BHMA A156.4, Grade 1.

SC60A Series hinge (pull side)

To 120°	11 13/16" - 300mm
121° to 180°	8 1/4" - 210mm



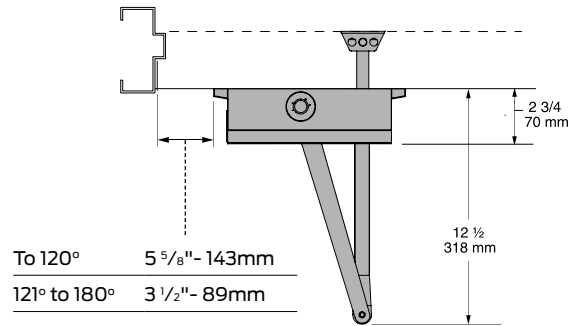
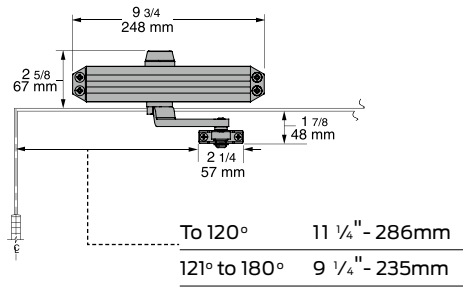
Butt hinges should not exceed 5" (127mm) in width.

Auxiliary stop is recommended at hold-open point or where a door cannot swing 180°.

Reveal should not exceed 3/4" (19mm) for regular arm or hold-open arm.

Clearance of 2 3/4" (70mm) behind door required for 90° installation.

SC60A Series top jamb (push side)

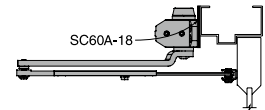
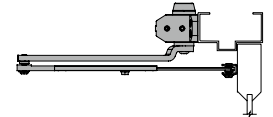


Butt hinges should not exceed 5" (127mm) in width.

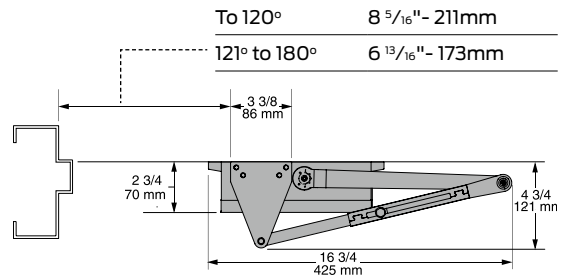
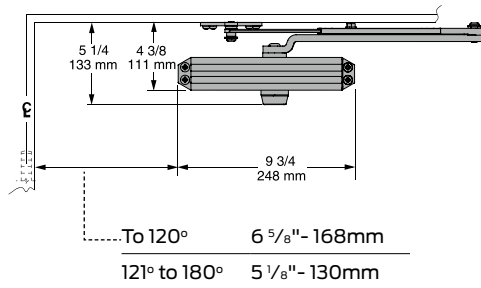
Auxiliary stop is recommended at hold-open point or where a door cannot swing 180°.

Reveal should not exceed 3 1/4" (83mm) for regular arm or hold-open arm.

Head frame less than 2 5/8" (69mm) requires plate SC60A-18.



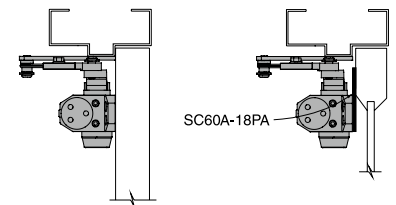
SC60A Series parallel (push side)



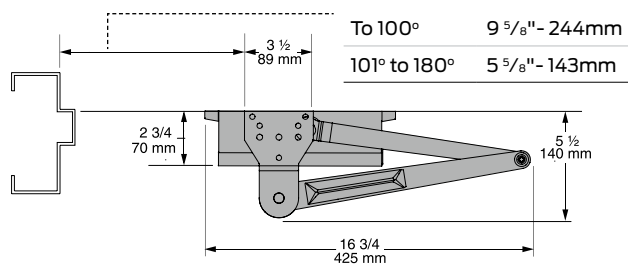
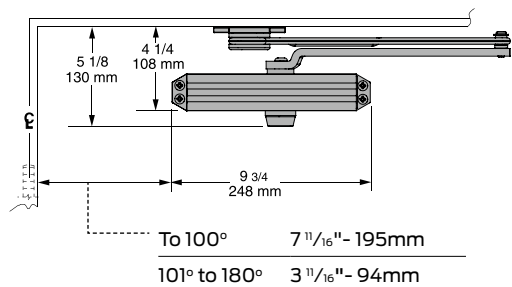
Butt hinges should not exceed 5" (127mm) in width.

Auxiliary stop is recommended at hold-open point or where a door cannot swing 180°.

Top rail less than 4 3/8" (111mm) measured from stop requires plate SC60A-18PA.



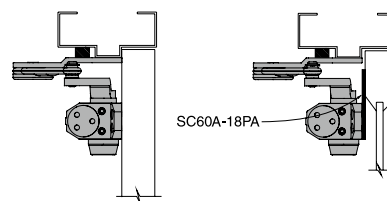
SC60A Series heavy duty (parallel)



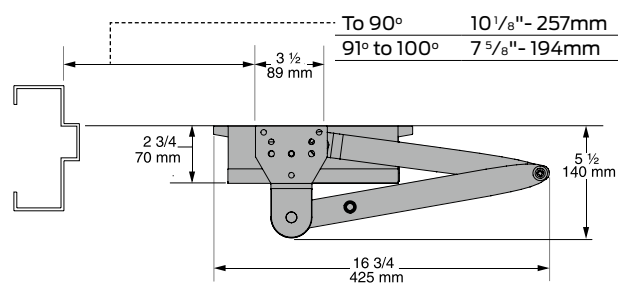
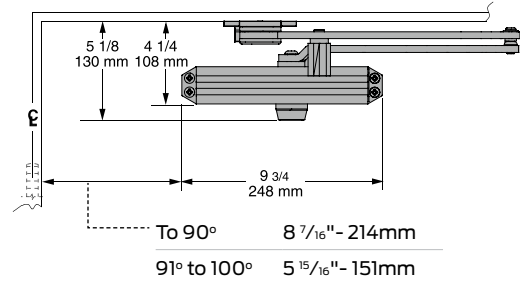
Butt hinges should not exceed 5" (127mm) in width.

Auxiliary stop is recommended at hold-open point, where a door cannot swing 180° or where Dead stop or Spring-n-stop arm is not used.

Top Rail less than 4 1/4" (108mm) measured from stop requires plate SC60A-18PA.

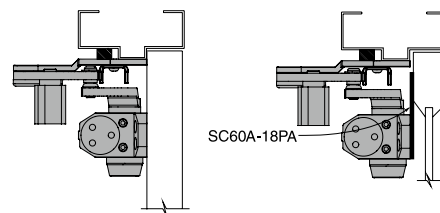


SC60A Series dead stop HO (parallel)



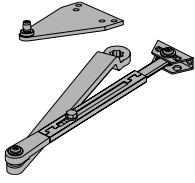
Butt hinges should not exceed 5" (127mm) in width.

Top rail less than 4 1/4" (108mm) measured from stop requires plate SC60A-18PA.

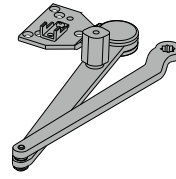


Arm types

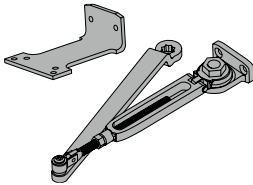
All SC60A Series closers come with standard arm and screw pack.



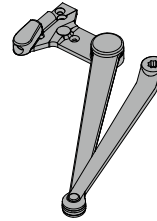
Regular arm, SC60A-3077PA
Non-handed arm with adjustable forearm assembly to accommodate a range of doors and frame reveal conditions. Mounts hinge side, top jamb or parallel arm. PA shoe included to allow installation in a parallel arm configuration.



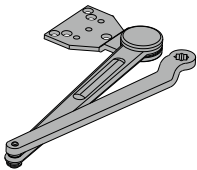
Dead stop hold-open arm, SC60A-3049DS
Optional, non-handed, stamped, heavy duty, hold-open parallel arm includes a positive mechanical stop and non-adjustable forearm assembly for high volume traffic or potentially abusive installation conditions. Also includes a manually selective hold-open function.



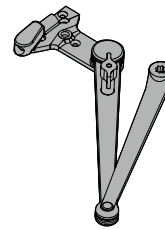
Hold-open arm, SC60A-3049PA
Optional, non-handed, hold open arm with adjustable forearm assembly to accommodate a range of doors and frame reveal conditions. Mounts hinge side, top jamb or parallel arm. PA shoe included to allow installation in a parallel arm configuration.



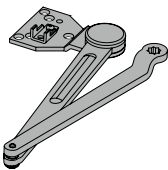
Spring-n-stop arm, SC60A-3077SS
Optional, non-handed, extra heavy-duty, forged parallel arm includes an integral spring stop and non-adjustable forearm assembly for high volume traffic or potentially abusive installation conditions.



Heavy duty regular arm, SC60A-3077HD
Optional, non-handed, stamped, heavy duty, parallel arm for use in high-traffic applications.



Spring-n-stop hold-open arm, SC60A-3049SS
Optional, non-handed, extra heavy-duty, forged parallel arm includes an integral spring stop and non-adjustable forearm assembly for high volume traffic or potentially abusive installation conditions. Also includes a manually selective hold-open function.

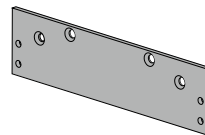


Dead stop arm, SC60A-3077DS
Optional, non-handed, stamped, heavy duty, parallel arm includes a positive mechanical stop and non-adjustable forearm assembly for high volume traffic or potentially abusive installation conditions.

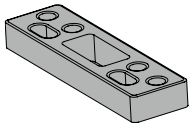
Installation accessories



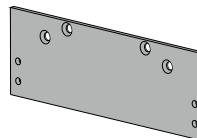
Soffit shoe support, SC60A-30
Provides anchorage for fifth screw used with soffit shoe, where reveal is less than 3 1/16" (78mm).



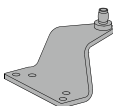
Plate, SC60A-18
Required for top jamb mounting where head frame is less than 1 3/4" (44mm).



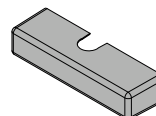
Blade stop spacer, SC60A-61
Required to lower parallel arm shoe to clear 1/2" (13mm) blade stop.



Plate, SC60A-18PA
Required for parallel arm mounting where top rail is less than 4 3/8" (111mm) for PA, 4 1/4" (108mm) for HD and DS, measured from the stop. Plate requires 2 3/8" (60mm) minimum top rail measured from stop.



Auxiliary shoe, SC60A-62A
Requires a top rail of 7" (178mm). Optional shoe replaces PA shoe for parallel arm mounting of regular arm with overhead holder/stop.



Cover, SC60A-72
Optional, non-handed, slim line plastic cover. Designed for SC60A series.

SC90A Series



Designed for light-duty interior applications the Falcon SC90A closer ensures smooth, reliable operation. The SC90A is backed by a ten-year warranty and is preset for easy installation.

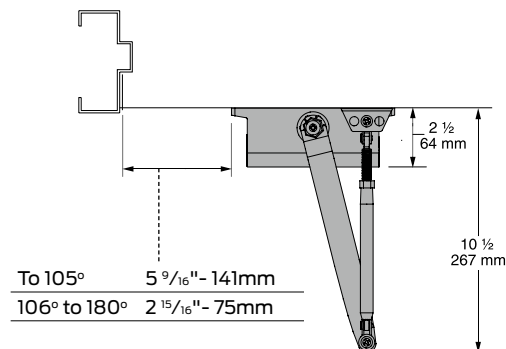
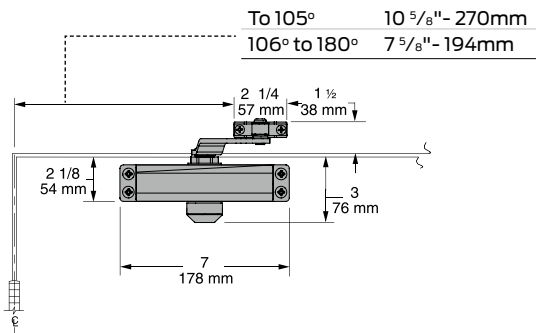
Standard features

- Single piece cast aluminum body
- Fixed sizes 1, 3 and 4
- Separate adjustable general speed and latch speed
- SC90A closer mounts hinge side, top jamb, or parallel arm when the RW/PA arm is specified
- Non-handed for left or right swinging doors
- Heat-treated pinion and steel piston
- SC93A/94A comes standard with a universal screw pack for aluminum, hollow metal, and wood doors, includes self reaming and tapping screws
- Meets ANSI A117.1
- Listed ANSI/BHMA A156.4, grade 3
- Comes standard with adjustable backcheck; optional no backcheck available
- SC93A/94A is UL listed and compliant to UL10C and UBC 7-2 (1997)
- 10-year warranty
- Offered in aluminum and dark bronze finish

Listings and ratings

The Falcon SC93A/94A Series is UL approved and compliant with the UL 10C and UBC 7-2 (1997) fire test. Additionally the SC91A closers are designed to meet the American Disabilities Act (ADA) and ANSI A117.1. The SC90A Series is listed ANSI/BHMA A156.4, Grade 3.

SC91A Hinge (pull side)

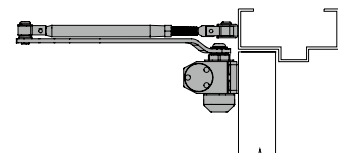


Butt Hinges should not exceed 5" (127mm) in width.

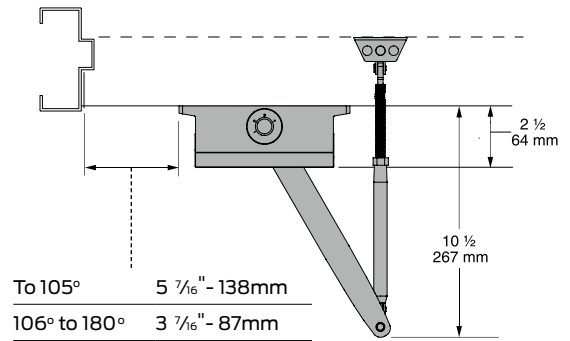
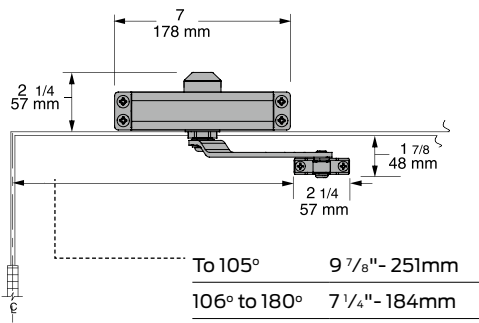
Auxiliary Stop is recommended at hold-open point or where a door cannot swing 180°

Reveal should not exceed 3/4" (19mm) for regular arm.

Clearance of 2 1/2" (64mm) behind door required for 90° installation.



SC91A Top jamb (push side)

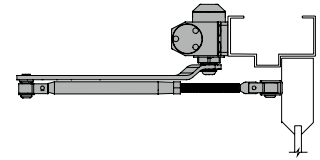


Butt hinges should not exceed 5" (127mm) in width.

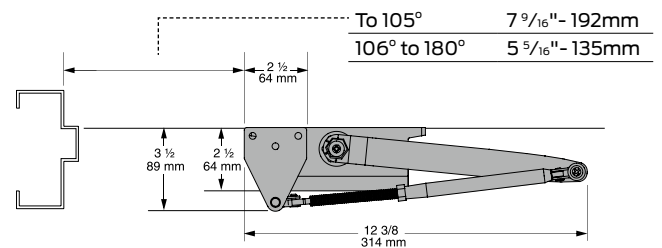
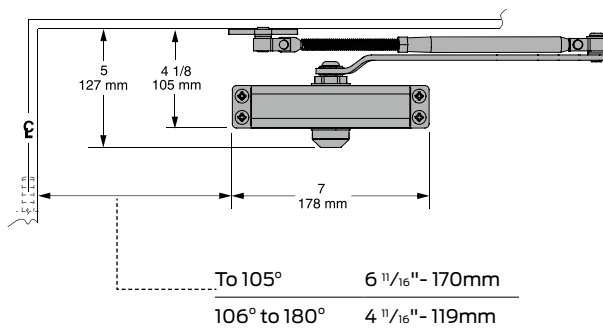
Auxiliary stop is recommended at hold-open point or where a door cannot swing 180°.

Reveal should not exceed 2" (51mm) for regular arm or hold-open arm.

Note: Top jamb mount is only available with the regular arm.

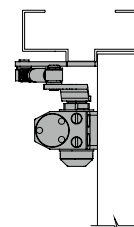


SC91A Parallel (push side)



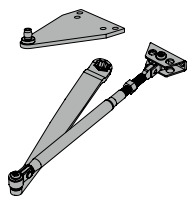
Butt hinges should not exceed 5" (127mm) in width.

Auxiliary stop is recommended at hold-open point or where a door cannot swing 180°.

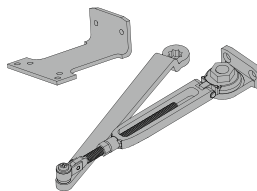


Arm types and accessories

All SC91A closers come with standard arm. Optional pinion caps are also available for replacement.



Regular arm, SC91A-3077PA
Non-handed arm with adjustable forearm assembly to accommodate a range of doors and frame reveal conditions. Mounts hinge side, top jamb or parallel arm. PA shoe included to allow installation in a parallel arm configuration. Available only on SC91A closers.

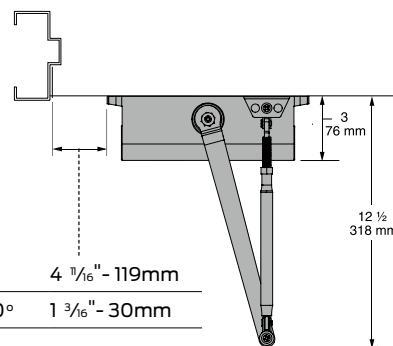
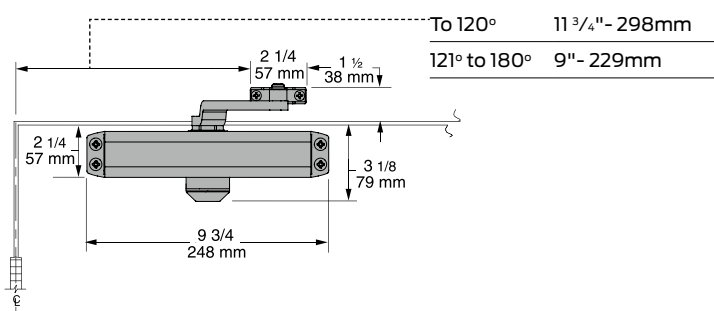


Hold-open arm, SC91A-3049PA
Optional, non-handed, hold open arm with adjustable forearm assembly to accommodate a range of doors and frame reveal conditions. Mounts hinge side, top jamb or parallel arm. PA shoe included to allow installation in a parallel arm configuration. Available only on SC91A closers.



Pinion cap, SC91A
Available for replacement with SC91A.

SC93A/94A Hinge (pull side)

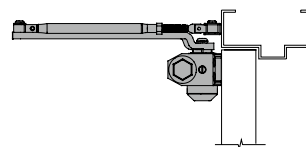


Butt hinges should not exceed 5" (127mm) in width.

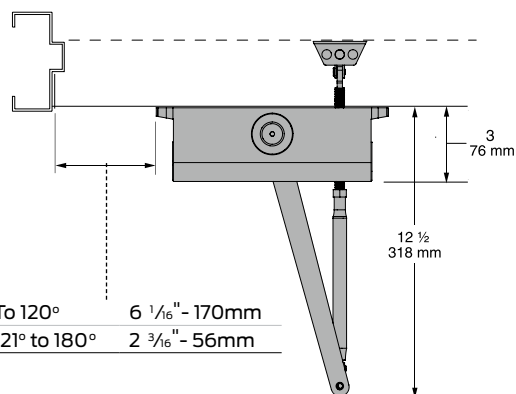
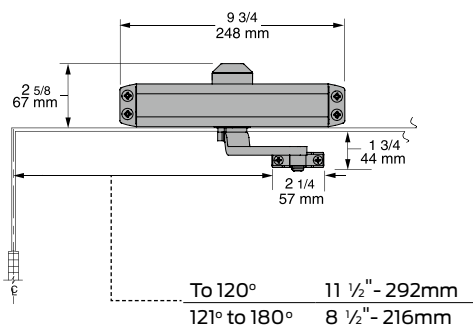
Auxiliary stop is recommended at hold-open point or where a door cannot swing 180°.

Reveal should not exceed 3/4" (19mm) for regular arm.

Clearance of 3" (76mm) behind door required for 90° installation.



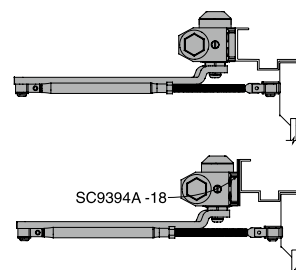
SC93A/94A Top jamb (push side)



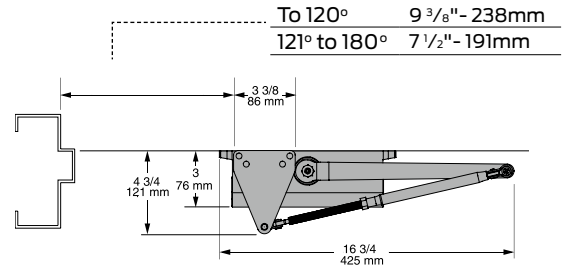
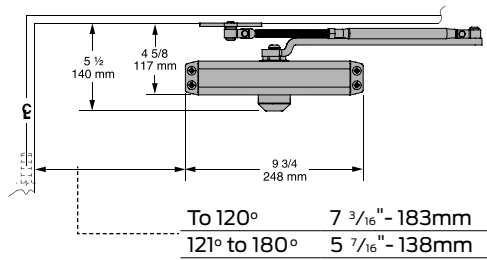
Butt hinges should not exceed 5" (127mm) in width.

Auxiliary stop is recommended at hold-open point or where a door cannot swing 180°.

Reveal should not exceed 3 1/4" (83mm) for regular arm.

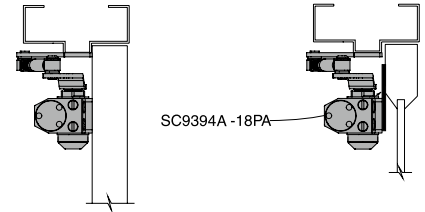


SC93A/94A Parallel (push side)



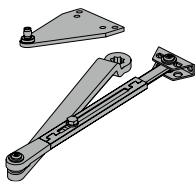
Butt hinges should not exceed 5" (127mm) in width.

Auxiliary stop is recommended at hold-open point or where a door cannot swing 180°. Backcheck closer with the backcheck option requires 105° mounting.



Arm type and accessories

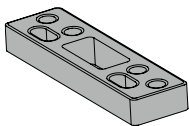
All SC93A/94A closers come with standard arm and screw pack. Optional accessories available for order.



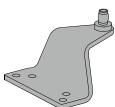
Regular arm, SC90A-3077PA
 Non-handed arm with adjustable forearm assembly to accommodate a range of doors and frame reveal conditions. Mounts hinge side, top jamb or parallel arm. PA shoe included to allow installation in a parallel arm configuration. Available with SC93A/94A only.



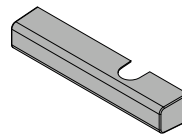
Soffit shoe support, SC90A-30
 Provides anchorage for fifth screw used with soffit shoe, where reveal is less than 3 1/16" (78mm).



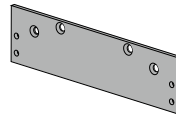
Blade stop spacer, SC90A-61
 Required to lower parallel arm shoe to clear 1/2" (13mm) blade stop.



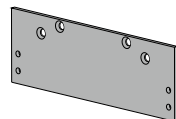
Auxiliary shoe, SC90A-62A
 Requires a top rail of 7" (178mm). Optional shoe replaces PA shoe for parallel arm mounting of regular arm with overhead holder/stop.



Slim cover, SC90A-72
 Optional non-handed, slim plastic cover. Available only with SC93A.



Plate, SC90A-18
 Required for top jamb mounting where head frame is less than 1 3/4" (44mm) or flush ceiling conditions exists. Available only with SC93A/94A.



Plate, SC90A-18PA
 Required for parallel arm mounting where top rail is less than 4 5/8" (117 mm), measured from the stop. Plate requires 2 1/8" (54mm) minimum top rail measured from stop. Available only with SC93A/94A.



Pinion cap, SC90A
 Available for replacement with SC93A/94A.

OHC100 Series



Overhead concealed closers control door opening and closing, while providing an aesthetically pleasing design option for both interior and exterior use. The Falcon OHC100 Series is used with aluminum doors and frames, providing years of maintenance-free performance.

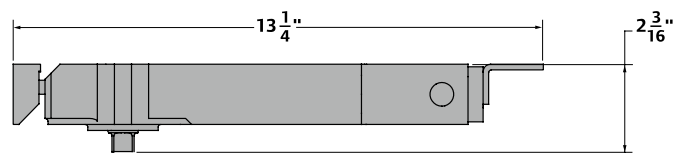
Standard features

- Economical option for overhead concealed closer
- Retrofittable, matches Jackson hole pattern
- Cast iron construction ensures lasting durability
- Fits inside standard aluminum frame header for improved aesthetics and increased security.
- 90° and 105° standard opening with optional hold-open
- Multiple size options available:
 - OHC 101 adjustable sizes 1-3
 - OHC 100 adjustable sizes 3-5
- Meets UL228
- 5 - year warranty

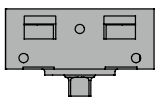
Top view



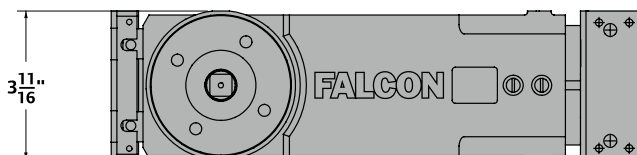
Side view



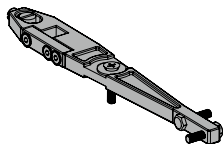
End view



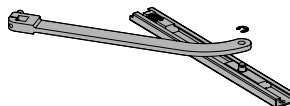
Bottom view



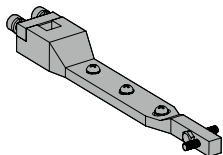
Installation accessories



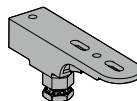
“S” arm, OHC100-SL, OHC100A-SL
Non-handed arm, side load, center hung, steel forge.



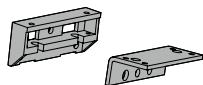
“VO” arm, OHC100-VO, OHC100A-VO
Non-handed arm, offset arm w/ slide channel, steel forge.



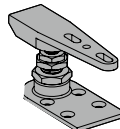
“A” arm, OHC100-EL, OHC100A-EL
Non-handed arm, end load, center hung, steel forge.



“GE” pivots, OHC100-GE, OHC100A-GE
Non-handed, adjustable height, center hung, used with side load arm.



“AFK” mounting brackets, OHC100-AFK
Provides anchorage for adjustable size cylinder to the door frame.



“DP” pivots, OHC100-DP, OHC100A-DP
Non-handed, adjustable height, center hung, used with end load arm.

8200 Series

The automatic operator that changes everything

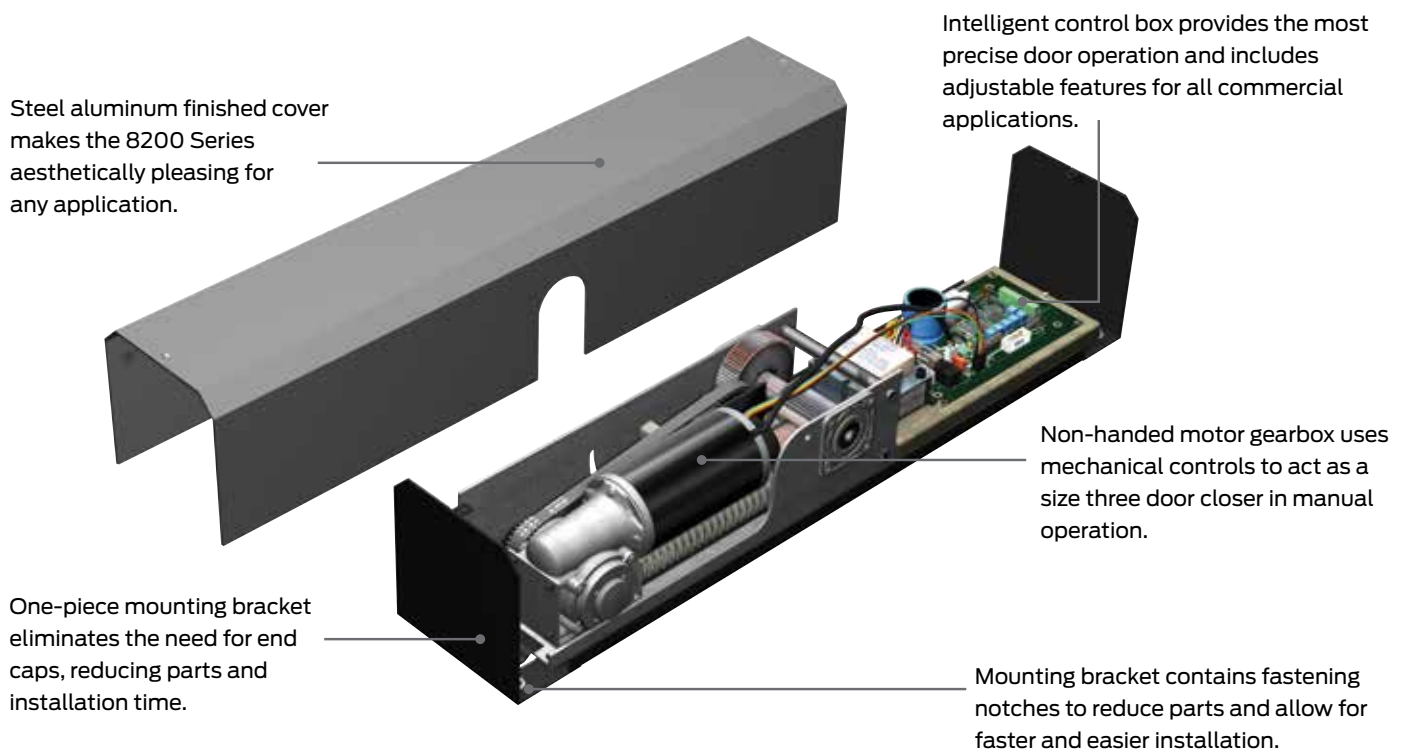
Beauty, value and versatility are now automatic

When you need a smart solution to improve accessibility the Falcon 8200 Series fits perfectly. Designed for applications like assisted living and ambulatory care, where ease of use is critical, the Falcon automatic operator provides dependable performance at an affordable price point. Everything you need is right in the box, making installation quick and simple. All necessary features are built right in, so configuring the closer is simple and you can easily make more openings more accessible than ever.

Designed to fit perfectly


The small footprint and elegant design of the Falcon 8200 Series make it a perfect solution for a range of applications.


• Assisted living • Hospitality • Retail • Small office • Restaurants • Ambulatory care








The Falcon 8200 Series automatic operator ensures smooth, convenient door opening for areas requiring easy accessibility and ADA compliance. This versatile device can also be easily integrated into electrified openings with our wireless accessory offering. Choose the 8231 for pull side or the 8242 for push side installation.


 **SmartLatch** – Senses and overcomes external pressure conditions with a graduated energy assist for secure latching.

 **Push ‘n’ Go** – Selectable feature allows door to open automatically as soon as it feels pressure.

 **Open position learning** – Automatically sets the opening position and detects obstructions to eliminate wall and door damage.

 **Pre-load strike assist** – Removes load on strike lip with a one second delay allowing the door to release and automatically open.

 **LED light illumination** – Light illumination on control box signals accurate installation and helps with connection diagnostics.

 **On board power supply (12 VAC)** – Powers actuators and receivers without the need to install an external power supply.

Specifications

Header length	26"
Mounting	Surface mount
Handing	Non-handed
Cycle tested	1 million gear box
Door weight	200 pounds

Consult technical services for use on doors over 200 lbs.

Adjustable features:

- Hold-open time delay
- Backcheck speed
- Backcheck/latch position
- Opening/closing speed

Actuators and accessories



8310-852T shown

6" Round – text with logo

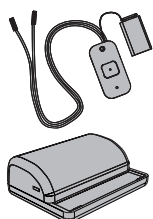
8310-852T	Push plate, wall mount
8310-869F	Mounting box, flush
8310-869S	Mounting box, surface
8310-802	Weather ring



8310-818T shown

1 1/2" x 4 3/4" Jamb – text with logo

8310-818T	Push plate, jamb mount
8310-819F	Mounting box, flush
8310-819S	Mounting box, surface

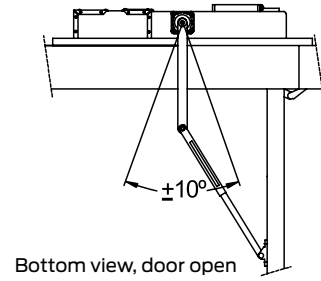
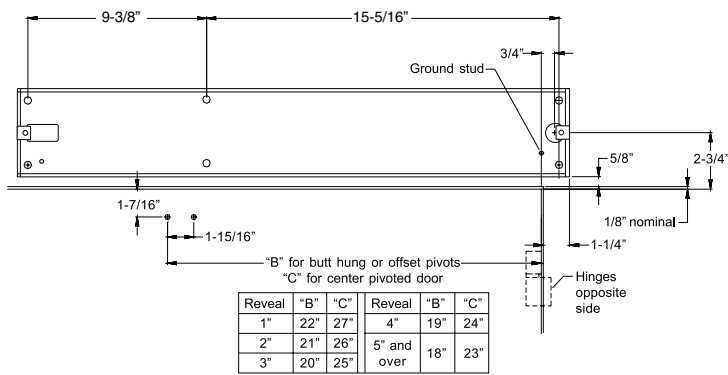


8310-844J and 8310-865 shown

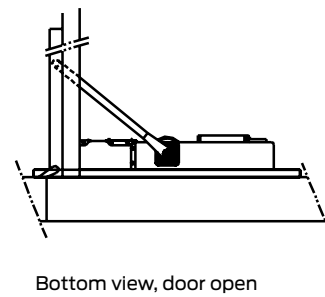
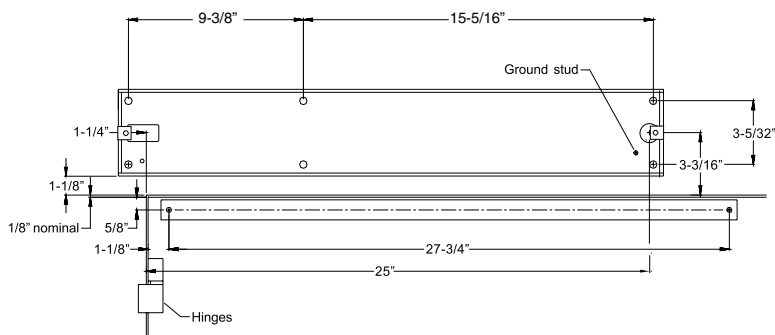
Wireless transmitters & receiver

8310-844	Transmitter, wall mount (to be used with 6" round wall mounted actuator)
8310-844J	Transmitter, Jamb mount (to be used with 1 1/2" x 4 3/4" jamb actuator)
8310-861	Transmitter, Handheld (single button wireless handheld transmitter)
8310-865	Receiver (wireless receiver with sequencing function)

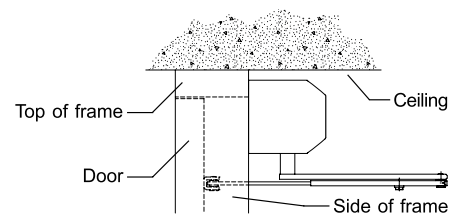
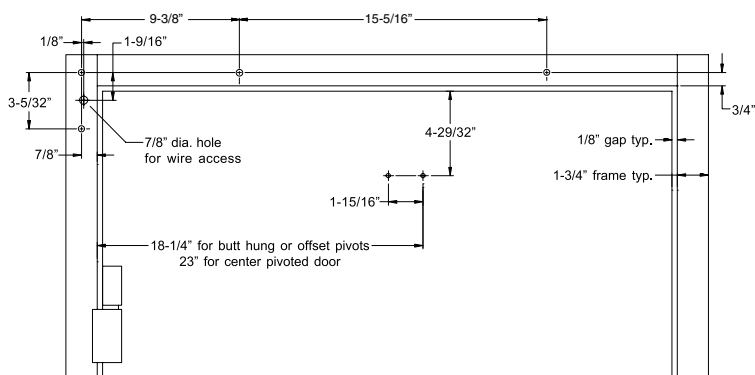
26" Push system



26" Pull system



26" Drop system (push system only)



How to order

SC70A Series

		Cylinder	Cover	Arm	Finish	Accessories
STD**	SC71A Standard					
DEL	SC71A Delay					
Full cover	SC70A-72					
RW/PA**	Regular with parallel arm shoe					
HW/PA**	Hold open with parallel arm shoe					
HD**	Heavy duty arm					
DS**	Dead stop arm					
DS/HO	Dead stop hold open arm					
SS	Spring stop arm					
SS/HO	Spring stop hold open arm					
FA	Forged arm					
FA/HO	Forged arm with hold open					
Matte black**	622					
Aluminum	689					
Dark bronze	695					
Brass*	696					
Soffit shoe support	SC70A-30					
Blade stop spacer	SC70A-61					
Auxiliary shoe	SC70A-62A					
Top jamb plate	SC70A-18					
PA Plate	SC70A-18PA					
Full cover	SC70A-72					

*Contact customer service at 1-877-671-7011 for lead time information.

**Matte Black (622) is only available on standard cylinders and RW/PA, HW/PA, DS and HD.

Note: SC71A models are adjustable sizes 1-6

SC80A Series

		Cylinder	Cover	Arm	Finish	Accessories
STD**	SC81A Standard					
DEL	SC81A Delay					
Slim cover	SC80A-72					
Full cover	SC80A-72FC (optional, please specify)					
RW/PA**	Regular with parallel arm shoe					
HW/PA**	Hold open with parallel arm shoe					
HD	Heavy duty arm					
DS**	Dead stop arm					
DS/HO	Dead stop hold open arm					
SS	Spring stop arm					
SS/HO	Spring stop hold open arm					
Matte black **	622					
Aluminum	689					
Dark bronze	695					
Brass*	696					
Soffit shoe support	SC80A-30					
Blade stop spacer	SC80A-61					
Auxiliary shoe	SC80A-62A					
Top jamb plate	SC80A-18					
Top jamb plate - full cover	SC80A-18FC					
PA Plate	SC80A-18PA					
PA Plate - full cover	SC80A-18PAFC					
Slim cover	SC80A-72					
Full cover	SC80A-72FC					

* Contact customer service at 1-877-671-7011 for lead time information.

** Matte Black (622) is only available on standard cylinders and RW/PA, HW/PA, and DS.

Note: SC81A models have adjustable sizes 1-6

SC60A Series

		Cylinder	Cover	Arm	Finish	Accessories
STD**	SC61A Standard					
Slim cover	SC60A-72 (optional, available with SC61A only, please specify)					
RW/PA**	Regular with parallel arm shoe					
HW/PA**	Hold open with parallel arm shoe					
HD	Heavy duty arm					
DS**	Dead stop arm					
DS/HO	Dead stop hold open arm					
SS	Spring stop arm					
SS/HO	Spring stop hold open arm					
Matte black**	622					
Aluminum	689					
Dark bronze	695					
Brass	696					
Soffit shoe support	SC60A-30					
Blade stop spacer	SC60A-61					
Auxiliary shoe	SC60A-62A					
Top jamb plate	SC60A-18					
PA Plate	SC60A-18PA					
Slim cover	SC60A-72					

**Matte Black (622) is only available on standard cylinders and RW/PA, HW/PA, and DS arms.

Note: SC60A Series comes standard with less cover and all models have adjustable sizes 1-5.

SC90A Series

		Cylinder	Size	Cover	Arm	Finish	Accessories
STD*	Standard						
LBC	Less backcheck option						
1	SC91A						
3	SC93A						
4	SC94A						
Slim cover	SC90A-72 (only available on SC93A/94A)						
RW/PA	Regular with parallel arm shoe						
HW/PA	Hold open with parallel arm shoe (only available on SC91A)						
Soffit shoe support	SC90A-30						
Blade stop spacer	SC90A-61						
Auxiliary shoe	SC90A-62A						
Aluminum	689						
Dark bronze	695						
Plate	SC90A-18 (available with SC93A/94A only)						
Plate PA	SC90A-18PA (available with SC93A/94A only)						
Slim cover	SC90A-72 (available with SC93A/94A only)						

*STD comes with less cover and adjustable backcheck.

OHC100 Series

		Cylinder	Size	Arm finish	Arm	Accessories
STD 90°	Standard					
STD 105°						
HO 90°	Hold Open					
HO 105°						
1-3	OHC101	Adjustable				
3-5	OHC100	Adjustable				
Dark bronze	695 (Only OCH100 cylinder finish; available on VO arms)					
Aluminum	689 (Only finish for OHC100 arms except VO arms)					
S	Side load arm					
A	End load arm					
VO	Offset arm and track					
AFK bracket						
GE pivot*						
DP pivot*						

*Not available with VO arm type.

8200 Series

		Cylinder	Size	Cover	Finish	Arm	Accessories
STD	Standard						
3							
Full cover	26"						
Aluminum	689						
Push	8242						
Pull	8231						
Order separate	8310-XXX						

Cylinder options

Standard cylinder (STD) – Standard cylinder provides a main speed function to control the motion of the door from maximum opening angle until the door is a few inches from the latch where latch function controls the final closing motion. The opening swing is controlled by the hydraulic backcheck function from about 70° to maximum opening angle.

Delayed action cylinder (DEL) – Special cylinder provides a separate adjustable delayed closing motion from maximum opening angle to approximately 70°. Then the main speed function controls the door motion until the door is a few inches from the latch where latch function controls the final closing motion. During the opening swing the door is controlled by the hydraulic backcheck function from about 70° to maximum opening angle.

Competitive cross reference

Surface closer cross reference

Falcon	SC60A	SC70A	SC80A	SC90A
Norton	*1600BC	*7500/7700	*8500	1700BC
Hager	*5300	5100	*5200	5400
Stanley	*D-1650	D-4550	D-3550	
Yale	*50/51BC/1100	*4400	3300/*3500	5100BC
Sargent	*1130	280/350	*1330	
Corbin		DC8000	DC3000	
Dorma	7400	8900	*8600	7300/7200

* identical footprint to listed Falcon closer.

Concealed closer cross reference

Falcon	OHC100 Series
Dorma	RTS88
Global	TC7000
International	Series 200, Series 300, Series 500
Jackson	20-330
Kawneer	Husky II
Sentinel	30 Series

Sample specifications

Large cylinder closer

2.01 Closers and door control devices

- A. Where manual closers are indicated for doors required to be accessible to the physically challenged, provide adjustable units complying with ANSI A117.1 provisions for door opening force and delayed action closing.
- B. Shall conform to ANSI A156.4, grade 1, NFPA 80, NFPA 101 and UL10C.
- C. Closers shall be aluminum construction with steel lever arms, independent adjusting valves for closing, latching and back check. Hydraulic regulation controlled by tamper-proof, non-critical screw valves. All closer adjustments shall be shielded by plastic cover after installation. Pressure relief valve, PRV, doors closers will not be permitted.
- D. Full rack-and-pinion type closer, single-piece forged piston, chrome silicon steel spring, non-critical screw valves; backcheck, main speed and latch.
- E. Closers to be non-sized, field adjustable from size 1 to 6.
- F. Furnish all large cylinder non-sized closers with minimum 1 ½" diameter piston.
- G. Install closers to allow maximum degree of opening, position backcheck to activate well in advance of the stop position to cushion the swing and prevent door and frame damage. Do not use door closer to stop door travel. Unless specified, install closers with thru-bolt mounting method on metal and wood doors. Do not use thru bolt if there has been special blocking specified in the wood door specification. Coordinate with the wood door specification.
- H. Available manufacturers: Subject to compliance with requirements. See competitive cross reference above.

Warranty

Falcon Door Hardware warrants its mechanical offering of locks, exit devices and door controls products manufactured to be free from defects in materials and workmanship for a period of **ten (10) years** from the date of manufacture with the exception of the products detailed in the table below. The terms and conditions of this new warranty apply to Falcon Door Hardware shipments made on or after November 1st, 2008.

This limited warranty does not cover products that (i) are not the proper size for the application; (ii) are not installed in accordance with Falcon’s published installation instructions; (iii) are installed with improper or incorrect parts; (iv) have been, in the opinion of Falcon, modified, repaired, or altered in any way without the express written consent of Falcon; (v) are used for purposes which they are not designed or intended; (vi) are subjected to misuse, abuse, negligence, or accident; or (vii) are grade 2 products used in educational facilities. The following costs and expenses are not covered by the provisions of this limited warranty; (i) labor costs for the removal and reinstallation of products; (ii) shipping and freight expenses required to return products to Falcon; (iii) normal maintenance; and (iv) economic losses. **The provisions of this warranty do not apply to finishes.**

Falcon will replace the products which, in the opinion of Falcon, are found to be defective, provided said products are returned to Falcon.

FALCON SHALL IN NO EVENT BE LIABLE FOR ANY INCIDENTAL, CONSEQUENTIAL, INDIRECT, SPECIAL, OR PUNITIVE DAMAGES FOR ANY CLAIM WHETHER BASED ON CONTRACT; WARRANTY, TORT (INCLUDING, BUT NOT LIMITED TO, STRICT LIABILITY OR NEGLIGENCE), PATENT INFRINGEMENT, OR OTHERWISE, EVEN IF ADVISED OF THE POSSIBILITY OF SUCH DAMAGES.

This limited warranty is in place of all other warranties, expressed or implied, and excludes any warranties of fitness for a particular purpose or merchantability. No agent, representative, dealer, or employee of Falcon has the authority to increase or alter the obligations of this limited warranty.

Note: Should the Product be considered a “consumer product” as may be covered by the Magnuson-Moss Federal Warranty Act, please be advised that: (1) Some states do not allow limitations on incidental or consequential damages or how long an implied warranty lasts, so that the above limitations may not fully apply; and (2) This warranty gives specific legal rights and a user may have rights which may vary from state to state.

Falcon, Allegion, 121 West Railroad Avenue, Princeton, IL 61356

Product Exception	Warranty
OHC100A Concealed closer	5 years
Electronics/electrified	1 years

About Allegion

Allegion (NYSE: ALLE) is a global pioneer in safety and security, with leading brands like CISA®, Interflex®, LCN®, Schlage®, SimonsVoss® and Von Duprin®. Focusing on security around the door and adjacent areas, Allegion produces a range of solutions for homes, businesses, schools and other institutions. Allegion is a \$2 billion company, with products sold in almost 130 countries.

For more, visit www.allegion.com

aptiQ ■ LCN ■ **SCHLAGE** ■ STEELCRAFT ■ VON DUPRIN