

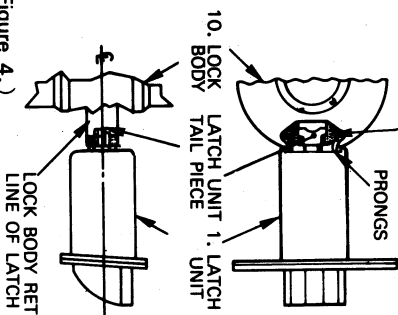
3

LOCK BODY RETRACTOR PRONGS

C. LOCK BODY ALIGNMENT & CENTERING

The lock body must engage the latch unit (1) prongs as shown. The lock body retractor must engage the latch unit tail piece. Door must be opened when installing lockset with guarded latch unit.

NOTE: Be sure latch unit tail piece is centered about lock body retractor. Adjust it if necessary by outside plate (11) as shown on fig. 10.



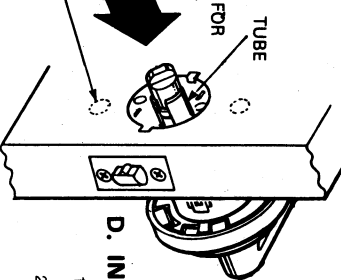
(Figure 4.)

4

TUBE VIEW FOR FIG. 4

D. INSTALLATION OF LOCK UNIT

1. With finger, push latch unit tailpiece in direction of arrow to its end position (see fig. 4).
2. Slide lock body into cross-bore hole from outside position. If necessary, move tail piece slightly to engage retractor as shown in fig. 4.
3. Slide two outside securing studs into prepared holes on door.



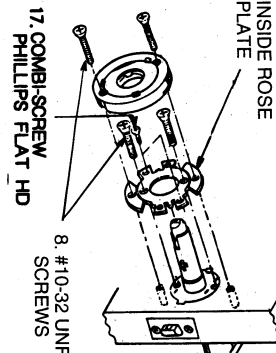
(Figure 5.)

5

9. INSIDE ROSE PLATE

E. SECURING THE LOCKSET UNIT TO DOOR.

1. Place the inside rose plate (9). Tighten it to lock body with two #10-32UNF x 1" L screws (8).
2. Drill two 5/16" dia. holes and secure the rose with two combi-screws (17).
THIS MUST BE DONE TO FIRMLY ANCHOR LOCK TO DOOR



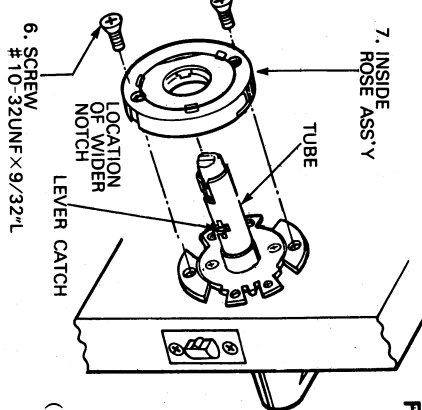
(Figure 7.)

6

7. INSIDE ROSE ASS'Y

F. ATTACHING INSIDE ROSE ASS'Y

1. Position the inside rose ass'y's screw holes vertically with wider notch at inside diameter in line with lever catch. Then slide onto tube and align rose screw holes with #10-32UNF x 1" L screw (6).
2. Secure inside rose ass'y to outside rose with two #10-32UNF x 1" L screws (6).
NOTE: For lock with outside securing stud, tighten inside rose ass'y to lock body with #10-32UNF x 1" L screws through outside securing stud holes.



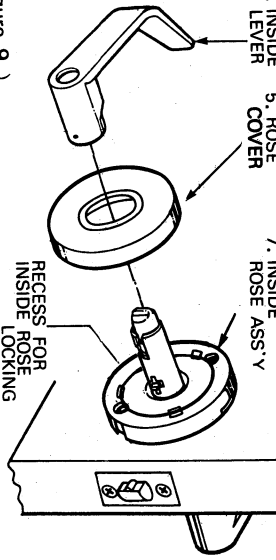
(Figure 8.)

7

4. INSIDE LEVER 5. ROSE COVER 7. INSIDE ROSE ASS'Y

G. INSIDE LEVER INSTALLATION

1. Place rose cover (5) onto inside rose ass'y aligning two lances with recesses in rose ass'y and turn clockwise to lock as firmly as possible.
2. Slide inside lever (4) onto tube. Make certain lever catch on tube is engaged with lever.



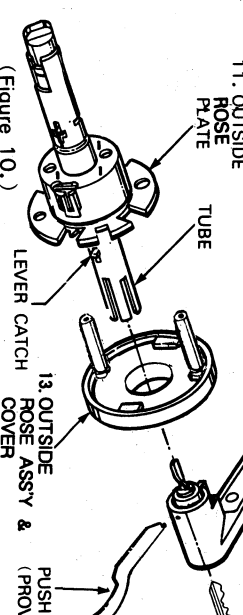
(Figure 9.)

8

11. OUTSIDE ROSE PLATE 14. OUTSIDE LEVER 15. KEY

H. TO REMOVE OUTSIDE LEVER & ROSE

1. To remove outside lever (14), insert key (15) and turn 45° clockwise. Insert push pin into hole on lever to depress lever catch. Slide the lever (14) from tube.
2. Remove outside rose ass'y & rose (13).
NOTE: This step must be done if you have to make adjustments for door thickness. (See note in fig. 4 & fig. 11.)



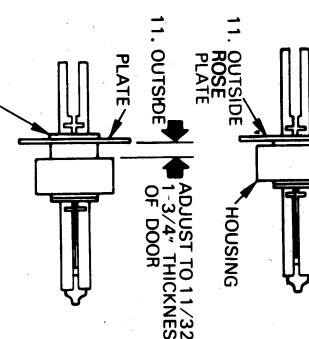
(Figure 10.)

9

ADJUST TO 9/64" FOR 1-3/8" THICKNESS OF DOOR

I. ADJUSTMENT FOR DOOR THICKNESS

It can be adjusted for door thickness range from 1 1/4" to 1 3/4".
For adjustment of door thickness, follow step 8, then:
1. Adjust outside adjustment nut for proper door thickness. At final position, the screw post holes must be in line with holes in lock body.
2. Slide outside rose ass'y with rose cover (13) onto tube with the wider notch at inside diameter in line with lever catch. The screw posts will enter the holes pre aligned between rose plate and lock body.
3. Install outside level by reversing procedure shown in fig. 10.



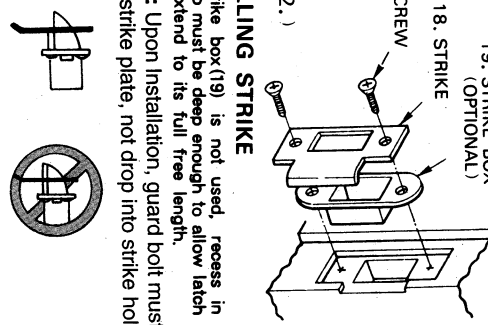
(Figure 11.)

10

19. STRIKE BOX (OPTIONAL) 18. STRIKE 3. SCREW

J. INSTALLING STRIKE

When strike box (19) is not used, recess in door jamb must be deep enough to allow latch bolt to extend to its full free length.
IMPORTANT: Upon installation, guard bolt must rest on face of strike plate, not drop into strike hole.

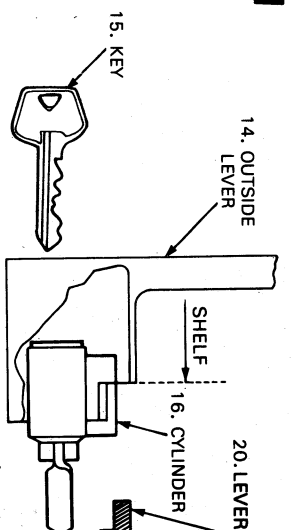


11

14. OUTSIDE LEVER 16. CYLINDER 20. LEVER FILLER

K. CYLINDER REMOVAL & REASSEMBLY

1. Remove outside lever (14) and cylinder (16) as described in fig. 10.
2. To reassemble, put a cylinder and key in lever. Push cylinder further in until it engages retractor. Turn key 90° clockwise and hold a key. Depress lever catch and push lever (Not key) in until it clicks then release a key.



(Figure 13.)