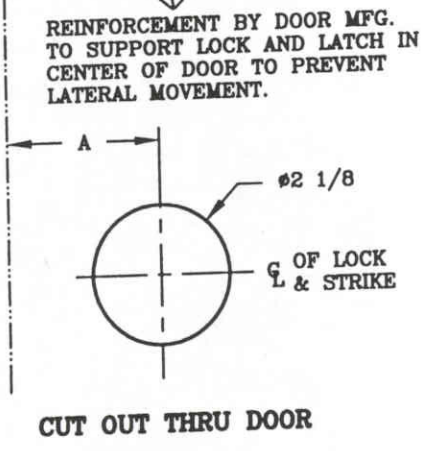
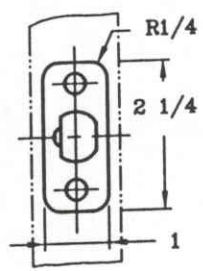
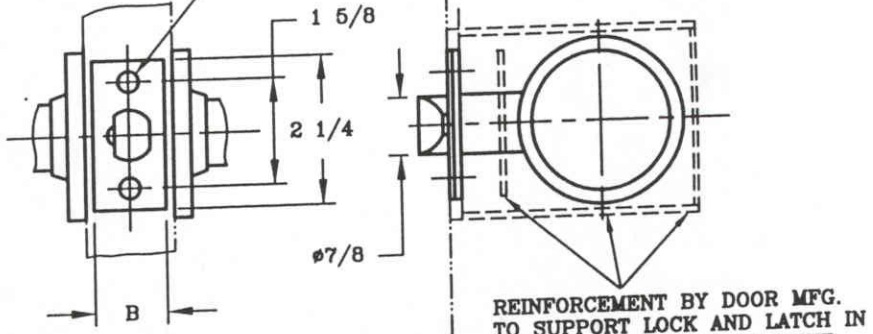
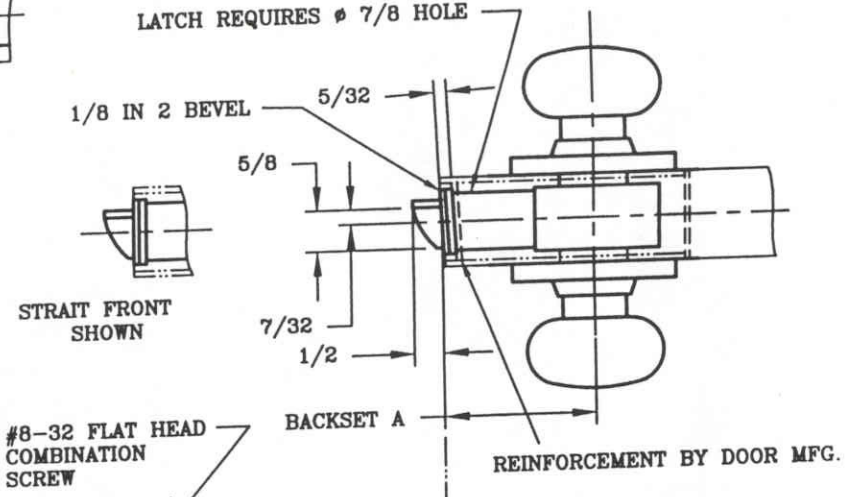
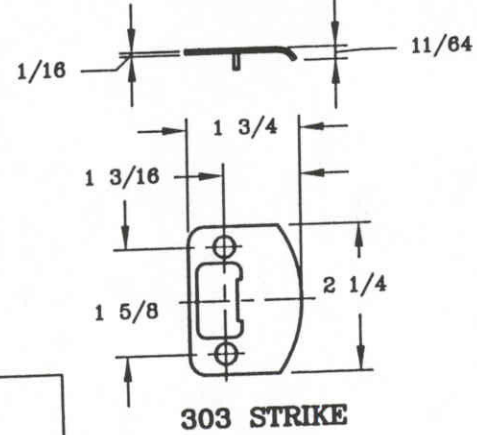
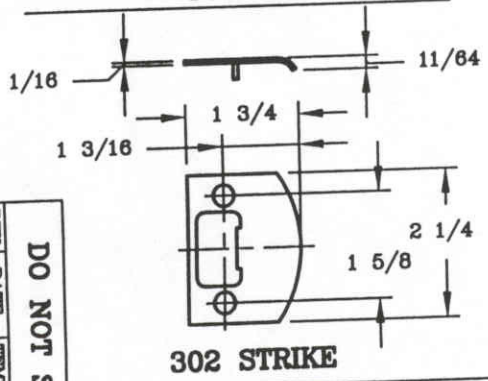
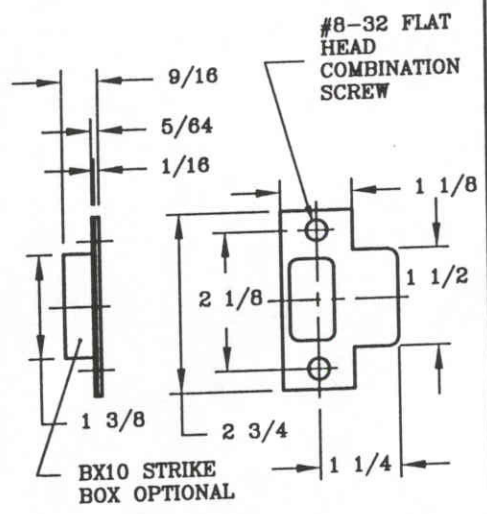
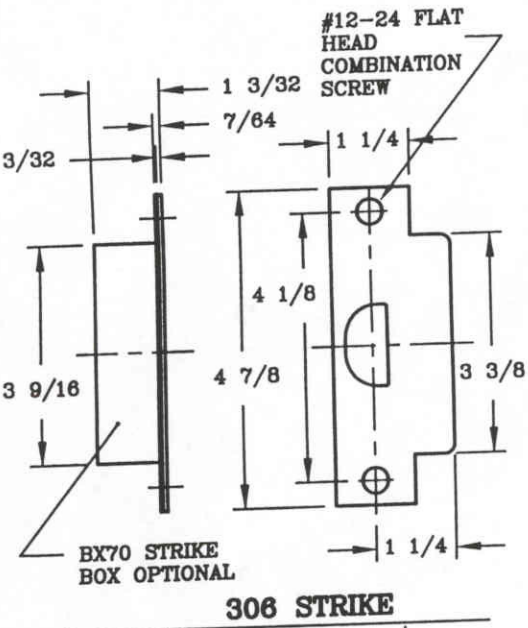
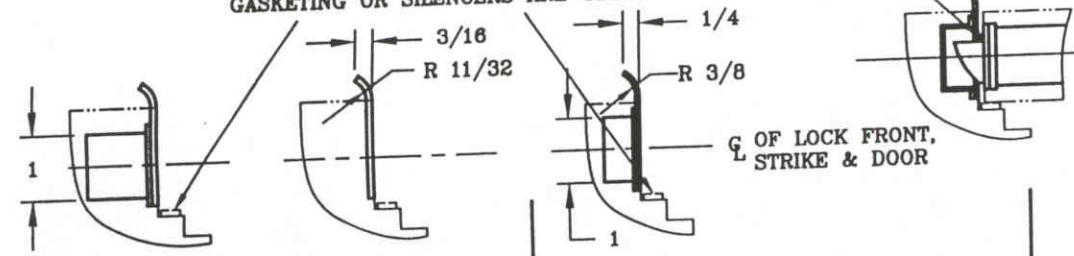


DESCRIPTION	DIM'S	M SERIES
BACKSET	A	2 3/8, 2 3/4, 3 3/4, 5
LATCH FRONT WIDTH	B	1 OR 1 1/8

DOOR FRAME MANUFACTURER'S SHOULD PROVIDE THE REQUIRED CLEARANCE TO ALLOW BOLT TO ENTER STRIKE WHEN GASKETING OR SILENCERS ARE USED.

DEADLOCKING PLUNGER

FOR PROPER INSTALLATION DEAD-LOCKING PLUNGER ON LATCH BOLT MUST STOP AGAINST STRIKE.



REV 03.10.00
DATE
M-001

DO NOT SCALE

ARROW TEMPLATE

PRODUCT **M SERIES LOCK (knob)**