

The DBX Series deadbolt is a professional replacement Grade 2 commercial deadbolt. The flexible design offers an adjustable backset in an attractive low profile package. The DBX is ideal for commercial common areas and residential applications.



Features

Door Thickness

Standard cylinder unit – 1-3/8" to 1-3/4" (35mm to 44mm).
SFIC unit – 1-3/8" to 2" (35mm to 51mm).

Backset

Adjustable 2-3/8" (60mm) to 2-3/4" (70mm).

Latch Bolt

1" (25mm) throw steel deadbolt with hardened, free spinning, steel pin insert.

Bolt Front

2-1/4" (57mm) x 1" (25mm). Plastic spacer supplied for 1-1/8" (29mm) mortise.

Steel Strike

1-1/16" (27mm) x 2-3/4" (70mm) x 0.05" (0.13" (3mm) thick with wood frame reinforcer).

Cylinder and Keys

Solid brass 6 pin cylinder. Two brass keys furnished standard. Arrow "A" or Schlage "C" keyway available. Optional SFIC lock prep available (less core).

Packaging

12 per case.

Warranty

1 year.

Specifications

ANSI/BHMA

Certified ANSI/BHMA A156.36 Auxiliary Locks, Grade 2.

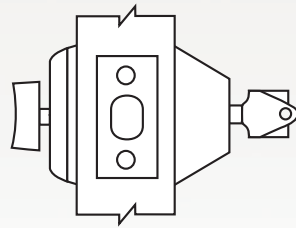
UL/cUL

All locks listed for 3-hour A label single door, 4' x 8'.

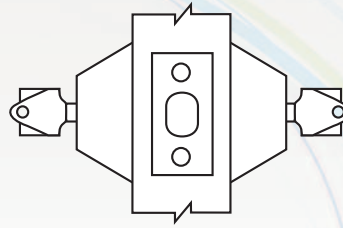
Finishes

Description	BHMA	US
Bright Brass	605	US3
Dark Oxidized Satin Bronze, Electroplated	613E	US10BE
Satin Stainless Steel	630	US32D

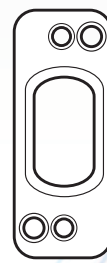
DBX Deadbolt



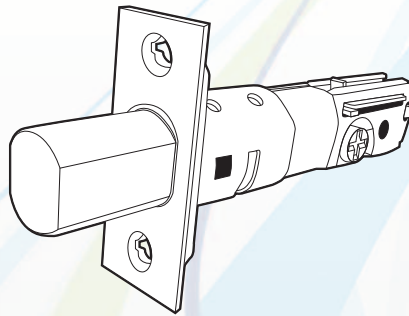
DBX61



DBX62

Strike
DBX-394Strike
1-1/16" x 2-3/4"Strike Reinforcer
1-1/16" x 2-3/4"

Latch



Adjustable Backset

2³/₈" - 2³/₄"

Front

1" x 2-1/4"

Part No.

DBX-L14

How to Order

Series	Function	Finish	Keyway	Keying
DBX	61	630	AR	KA4