

# 7100 Series

## Electric Strikes for Adams Rite Deadlatches & Cylindrical Locks

Designed for use with Adams Rite deadlatches or cylindrical locksets with 1/2" [12.7 mm] to 5/8" [15.9 mm] latchbolt projection. For use in aluminum, hollow metal, or wood applications.

### Function

Remote electrical control of any door equipped with an Adams Rite 4500, 4700 (discontinued), or 4900 Deadlatch or cylindrical lockset with 1/2" [12.7 mm] to 5/8" [15.9 mm] latchbolt projection. Electrical actuation unlocks the keeper, releasing the latchbolt so the door may be opened without operating the latch itself.

### Certifications

UL 1034 burglary-resistant listed

UL 294 (6th Edition) listed



7100

7101



7110

7111

7130

7131



7140



### Features

#### Case

1" x 3-3/8" x 1-5/8" deep  
[25.4 mm x 85.7 mm x 41.3 mm deep].

#### Strike Opening

5/8" x 1-7/16" x 1/2" deep  
[15.9 mm x 36.5 mm x 12.7 mm deep].  
Bolt retaining keeper is stainless steel.  
Strike accepts bolt of any Adams Rite 4500, 4700 (discontinued), or 4900 Deadlatch or cylindrical latches.

#### Strike Lip

Basic strike has lip of proper length for 1-3/4" [44.5 mm] thick door that closes flush with jamb edge. Where door thickness or jamb shape differs from this standard relationship, lip extension kits are available, specified by last dash number.

- Lip extension kits not available on 7101 or 7131.

#### Latchbolt Projection

1/2" to 5/8" [12.7 mm to 15.9 mm]

#### Faceplate

Available in a variety of architectural finishes.

7100	1-1/4" x 4-7/8" [31.8 mm x 123.8 mm]	Flat with radius corners
7101	1-1/4" x 4-7/8" [31.8 mm x 123.8 mm]	Radiused to match nose on inactive leaf in a pair of narrow stile doors.
7110	1-7/16" x 7-15/16" [36.5 mm x 201.6 mm]	Flat with radius corners
7111	1-7/16" x 10-1/4" [36.5 mm x 260.4 mm]	Flat with radius corners
7130	1-1/4" x 6-7/8" [31.8 mm x 174.6 mm]	Flat with radius corners
7131	1-1/4" x 6-7/8" [31.8 mm x 174.6 mm]	Radiused to match nose on inactive leaf in a pair of narrow stile doors
7140	1-1/4" x 4-7/8" [31.8 mm x 123.8 mm]	Flat with square corners

**7130/7131:** Large 6-7/8" faceplate is designed to cover strike opening when converting from an MS® pivoted-bolt deadlock to deadlatch.

### Standard Package

Individually boxed with mounting screws, mounting clips, adhesive shims to accommodate jamb or stile extrusion thickness greater or less than nominal 1/8" [3.2 mm].

7140 Includes mounting clips and adhesive shims for use where welded tabs are omitted.

### Shipping Weight

2 lbs [0.91 kg].

## Electrical

### Voltage

Available in 12, 16, or 24 Volt AC and DC. DC continuous units are silent, AC intermittent units "buzz" on operation.

### Current Draw

0.33 A at 12 VDC	1.42 A at 12 VAC
0.22 A at 16 VDC	0.63 A at 16 VAC
0.17 A at 24 VDC	0.74 A at 24 VAC

### Fail Safe | Fail Secure

Field selectable at time of installation. However, AC intermittent solenoid must not be used continuously in either.

## Options

- Available with two Form 'C' monitoring switches to indicate when the latchbolt is engaged in the strike and whether the strike jaw is blocked. Not available on 7130/7131, 7140.
- Lip extension kits for various dimensions of door centerline to jamb edge; for flat faceplates only. Not available on 7101 or 7131.
- **Modular Packaging**  
Match one strike body kit with one faceplate kit to make a complete electric strike. Faceplate kits contain all hardware to mount electric strike. Please contact factory or sales representative for details.

## Related Products

### 7100/7101, 7110/7111, 7130/7131, 7140

When purchasing this product, please consider the following related products, available separately:

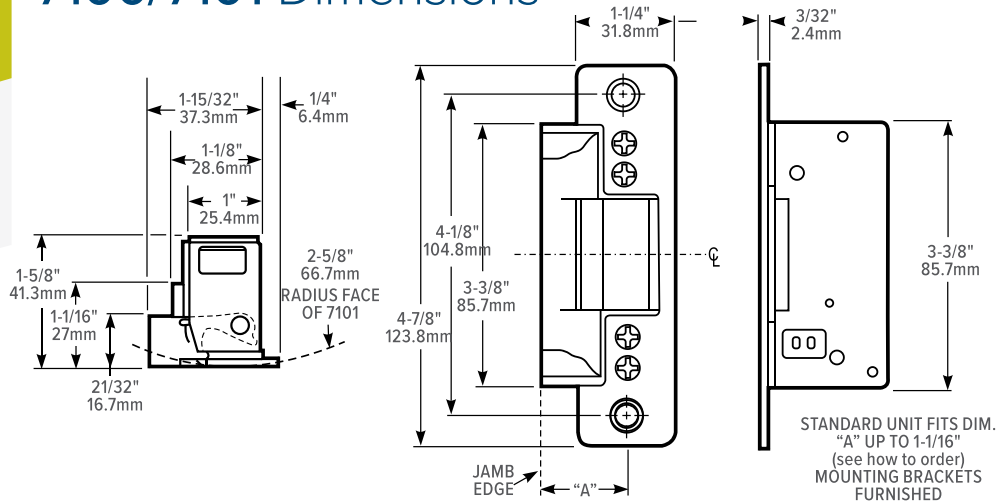
DEADLATCHES	EXIT DEVICES	ACCESSORIES	POWER
4510, 4530, 4900, 4920AN Series Deadlatches	8300, 8400 Mortise Exit Device	Lip Extension Kits, Modular Kits, Monitor Kits	PS-1 Power Supply, 4603 Rectifier, 4605/4606 Transformer, Piezo Horn audible indicator, ElectroLynx connector

Experience a safer and more open world

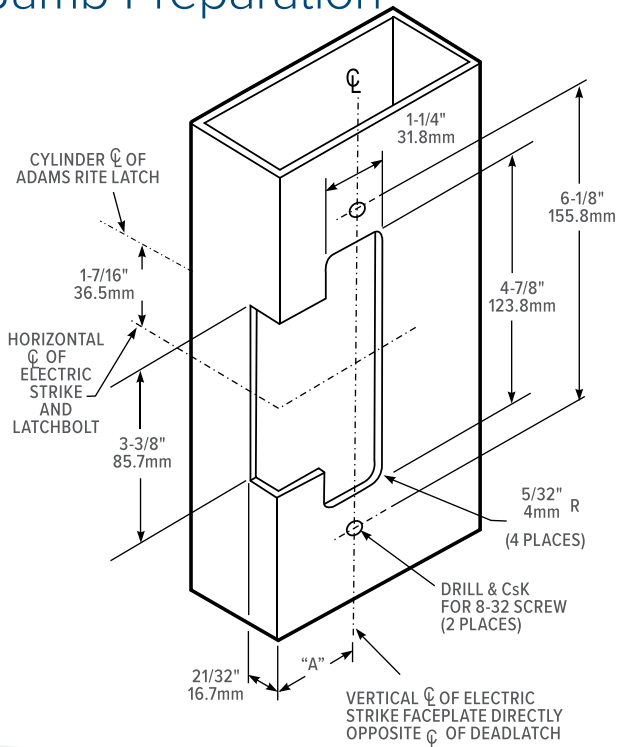


All measurements are approximate and are provided for informational purposes only. Refer to the product Installation Instructions.

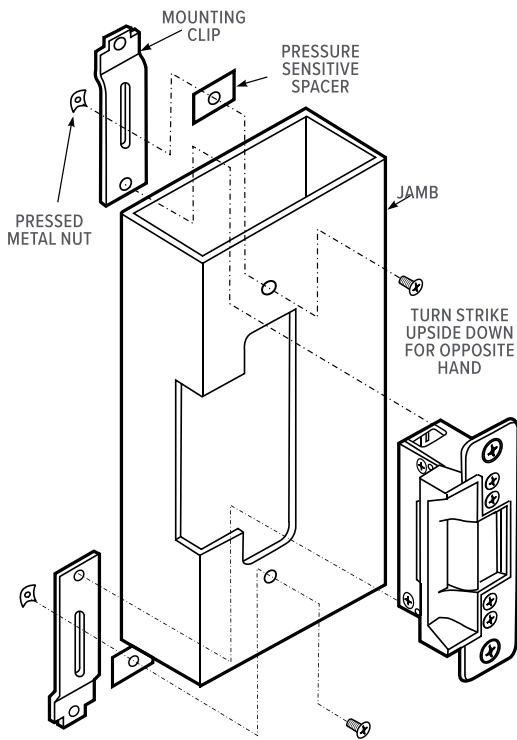
# 7100/7101 Dimensions



## Jamb Preparation



## Installation



## How to Order

7100/7101 Electric Strikes: Specify quantity and the following information. Order related products separately.

MODEL	FACEPLATE SHAPE	VOLTAGE	CURRENT AND DUTY	FEATURES*	FINISH**	LIP EXTENSIONS (DIM. A)*** (DOOR CENTERLINE TO JAMB EDGE)	
710	0	-3	1	0	-628	-00	
	0 Flat	3 12 Volt	1 DC Continuous or Intermittent	0 Standard/Fail-Secure	313 Dark Bronze Anodized	00 1-1/16" or less	05 2"
	1 Radius	4 16 Volt	4 AC Intermittent	5 Fail-Safe	335 Black Anodized	01 1-1/2"	07 2-1/4"
		5 24 Volt		7 Monitored/ Fail-Safe	626 Satin Chrome	02 1-5/8"	09 2-1/2"
				9 Monitored/ Fail-Secure	628 Clear Anodized	03 1-3/4"	12 2-7/8"

\*Fail-secure can be field converted to fail-safe or vice-versa. \*\*7101 available in 313, 335, 628 only. \*\*\*Lip Extensions not available on 7101.

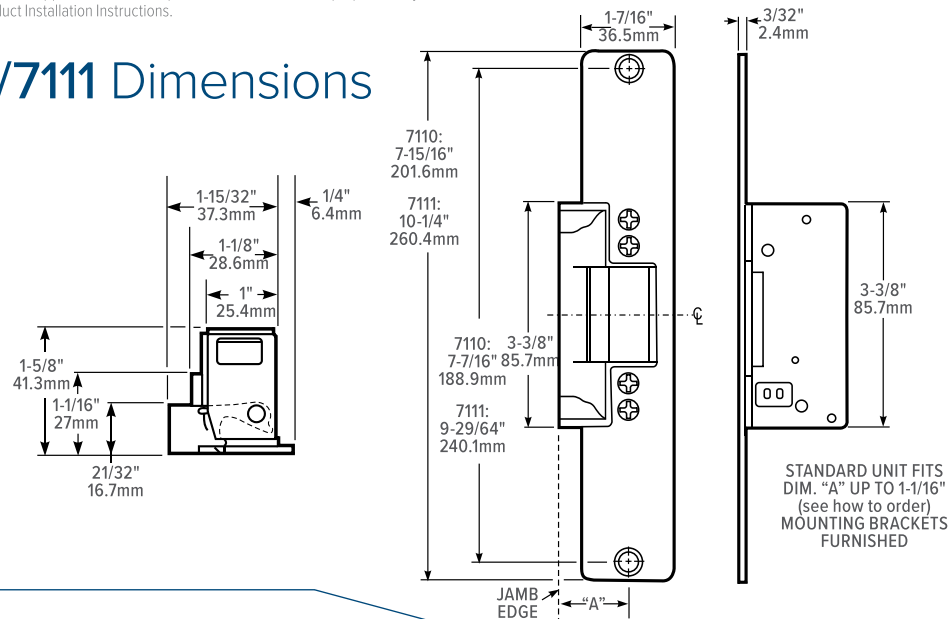


US [adamsrite.com](http://adamsrite.com) | 800.872.3267 | [customerservice.adamsrite@assaabloy.com](mailto:customerservice.adamsrite@assaabloy.com)

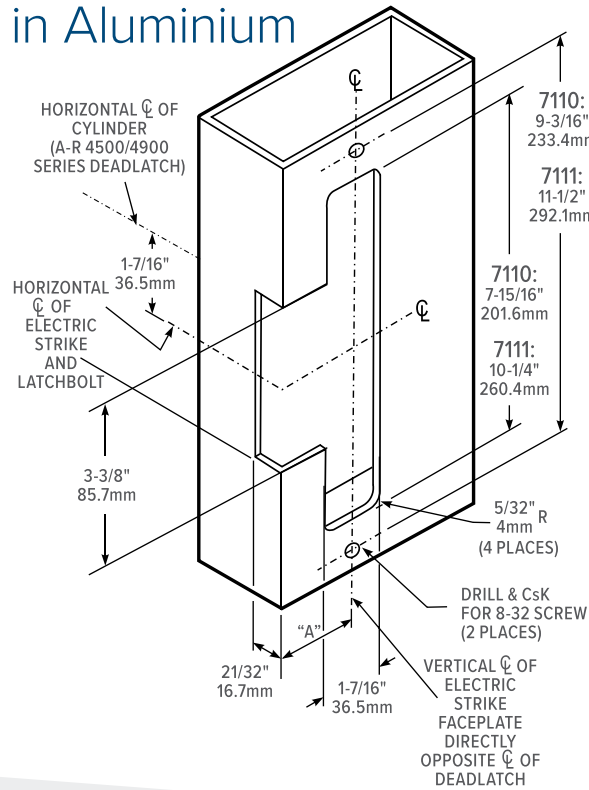
Canada [assaabloydss.ca](http://assaabloydss.ca) | 800.461.3007 | [sales.dss.ca@assaabloy.com](mailto:sales.dss.ca@assaabloy.com)

Updated: December 31, 2020

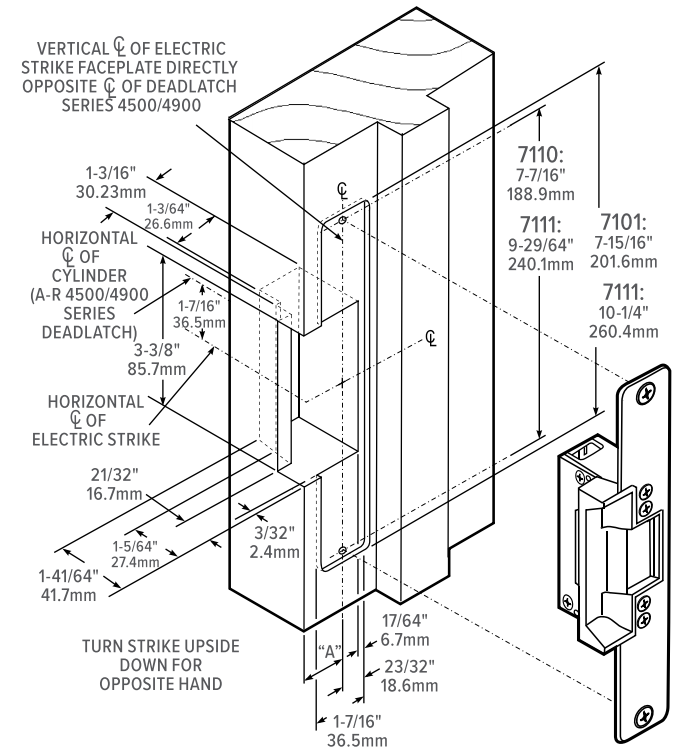
## 7110/7111 Dimensions



## Jamb Preparation in Aluminium



## Installation in Wood



## How to Order

**7110/7111 Electric Strikes:** Specify quantity and the following information. Order related products separately.

MODEL	FACEPLATE LENGTH	VOLTAGE	CURRENT AND DUTY	FEATURES*	FINISH	LIP EXTENSIONS (DIM. A) (DOOR CENTERLINE TO JAMB EDGE)	
711	0	-3	1	0	-652	-00	
	0 7-15/16"	3 12 Volt	1 DC Continuous or Intermittent	0 Standard/Fail-Secure	652 Satin Chrome	00 1-1/16" or less	05 2"
	1 10-1/4"	4 16 Volt	4 AC Intermittent	5 Fail-Safe		01 1-1/2"	07 2-1/4"
		5 24 Volt		7 Monitored/ Fail-Safe		02 1-5/8"	09 2-1/2"
				9 Monitored/ Fail-Secure		03 1-3/4"	12 2-7/8"

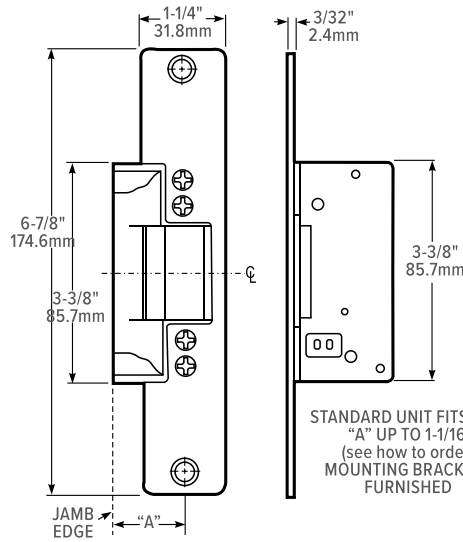
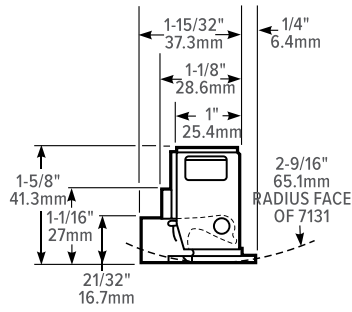
\*Fail-secure can be field converted to fail-safe or vice-versa

Experience a safer  
and more open world



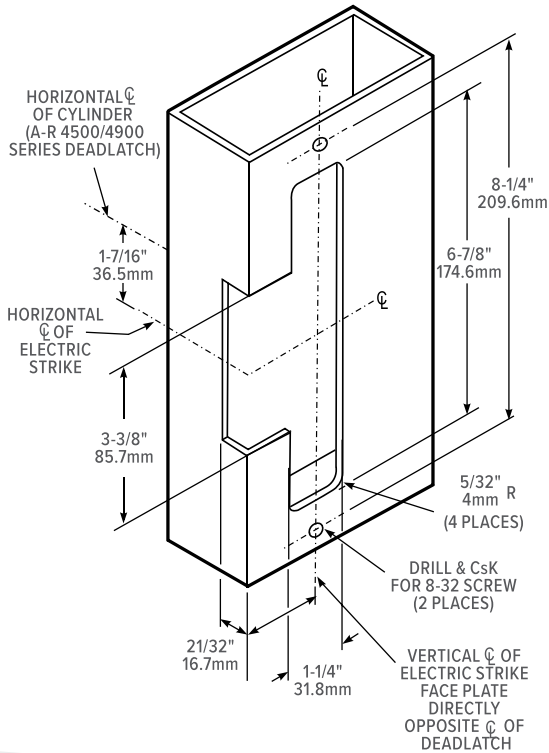
All measurements are approximate and are provided for informational purposes only. Refer to the product Installation Instructions.

# 7130/7131 Dimensions

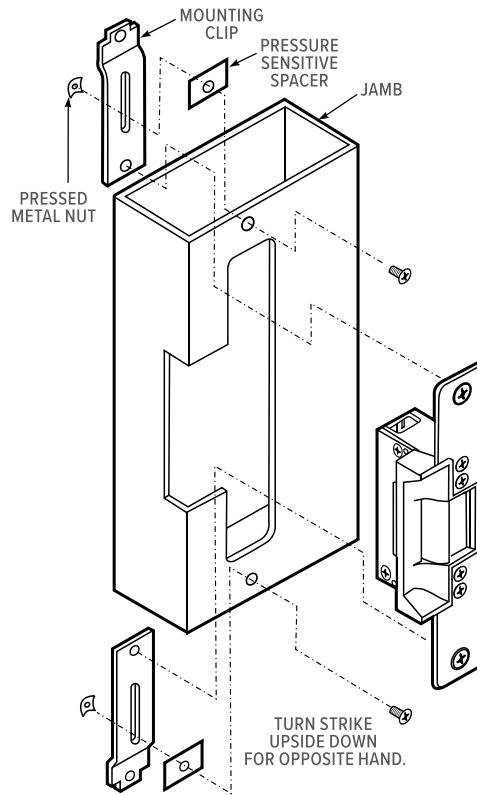


STANDARD UNIT FITS DIM.  
"A" UP TO 1-1/16"  
(see how to order)  
MOUNTING BRACKETS  
FURNISHED

## Jamb Preparation



## Installation



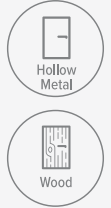
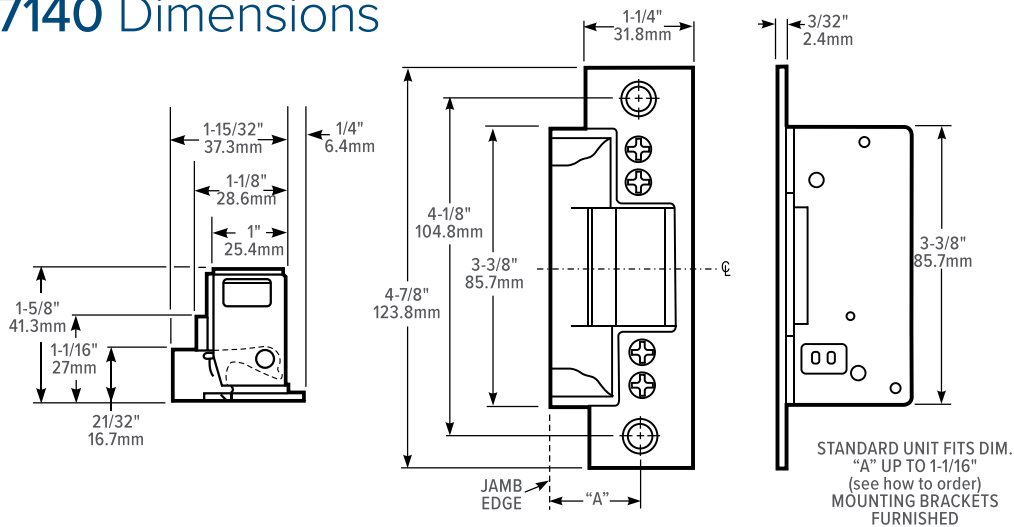
## How to Order

7130/7131 Electric Strikes: Specify quantity and the following information. Order related products separately.

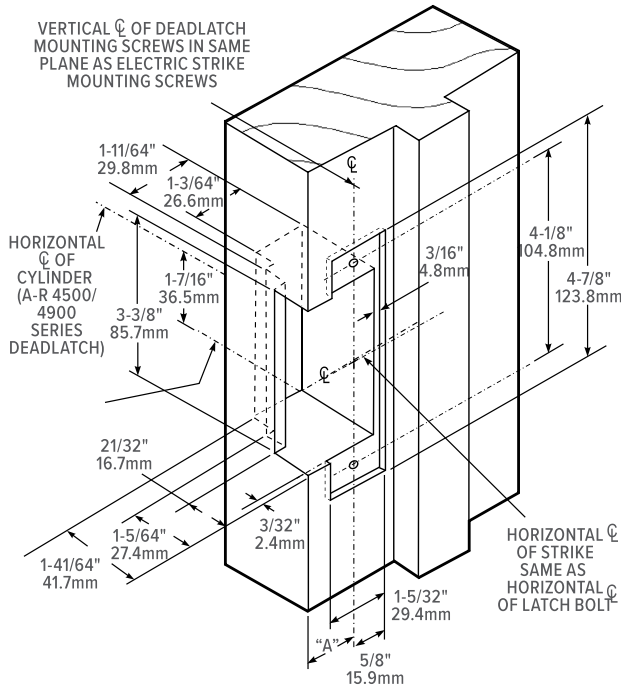
MODEL	FACEPLATE SHAPE	VOLTAGE	CURRENT AND DUTY	FEATURES*	FINISH	LIP EXTENSIONS (DIM. A)** (DOOR CENTERLINE TO JAMB EDGE)	
713	0	-3	1	0	-313	-00	
	0 Flat	3 12 Volt	1 DC Continuous or Intermittent	0 Standard/Fail-Secure	313 Dark Bronze Anodized	00 1-1/16" or less	05 2"
	1 Radius	4 16 Volt	4 AC Intermittent	5 Fail-Safe	335 Black Anodized	01 1-1/2"	07 2-1/4"
		5 24 Volt			628 Clear Anodized	02 1-5/8"	09 2-1/2"
						03 1-3/4"	12 2-7/8"

\*Fail-secure can be field converted to fail-safe or vice-versa. \*\*Lip Extensions not available on 7131.

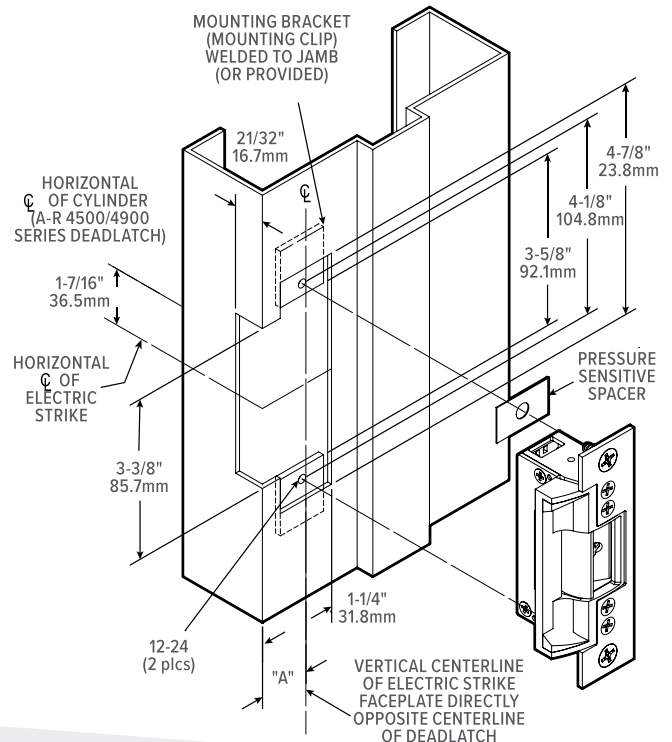
# 7140 Dimensions



## Jamb Preparation in Wood



## Jamb Preparation & Installation in Steel



## How to Order

**7140 Electric Strike:** Specify quantity and the following information. Order related products separately.

MODEL	VOLTAGE	CURRENT AND DUTY	FEATURES*	FINISH	LIP EXTENSIONS (DIM. A) (DOOR CENTERLINE TO JAMB EDGE)	
7140	-3	1	0	-628	-00	
	3 12 Volt	1 DC Continuous or Intermittent	0 Standard/Fail-Secure	313 Dark Bronze Anodized	00 1-1/16" or less	05 2"
	4 16 Volt	4 AC Intermittent	5 Fail-Safe	335 Black Anodized	01 1-1/2"	07 2-1/4"
	5 24 Volt			626 Satin Chrome	02 1-5/8"	09 2-1/2"
				628 Clear Anodized	03 1-3/4"	12 2-7/8"

\*Fail-secure can be field converted to fail-safe or vice-versa

Experience a safer  
and more open world

