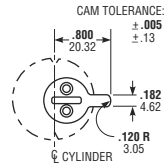
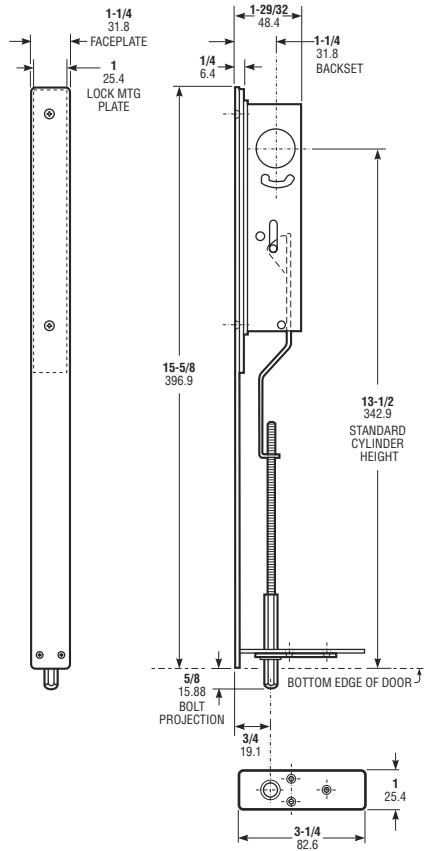


DIMENSIONS

INCHES
MILLIMETERS

Nominal, subject to tolerance extremes.

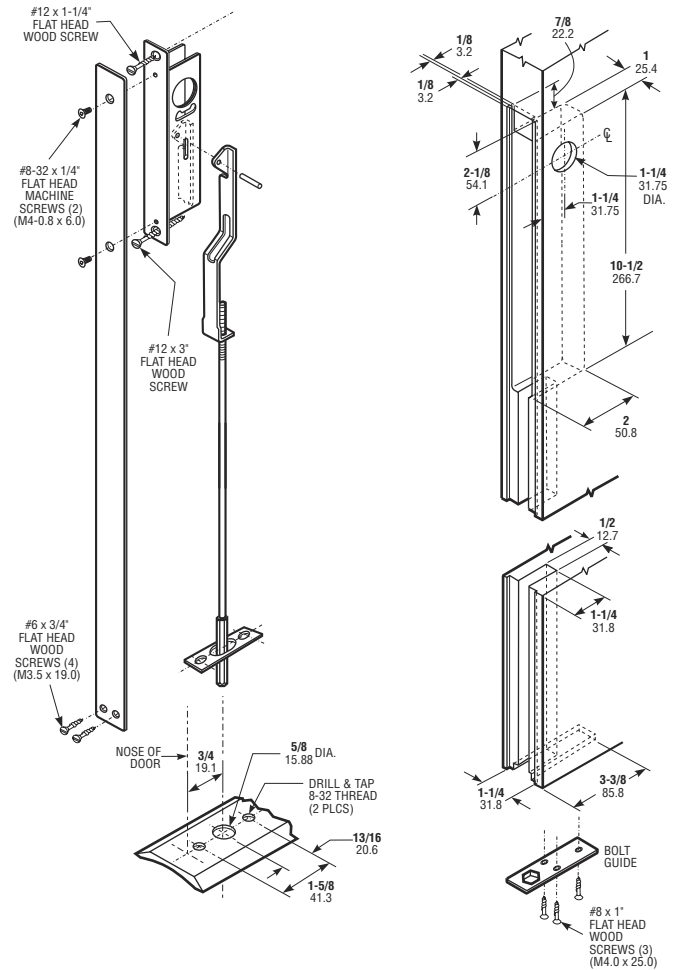


Cylinder Cam

1877 locks are operable by any standard 1-5/32" diameter mortise cylinder with special MS® cam dimensioned as shown. Cylinders with MS® cams can be readily obtained from most cylinder manufacturers. See page SW-28 for cylinder make and trim ring information.

INSTALLATION

FOR INSTALLATION
LOCKING THRESHOLD.
INVERT FOR HEADER LOCKING



ADAMS RITE MANUFACTURING CO.

260 Santa Fe Street, Pomona, CA 91767
Phone: (909) 632-2300 Fax: (909) 632-2369

**1877 Cylinder-Operated
Flushbolt For Wood Doors**