

Trilogy: DL2700



hospital



schools



airport



retail



pharmacy



office

Our most popular standalone pushbutton cylindrical lock

Durable electronic digital locks available
in indoor and outdoor models

- **Grade 1 Durability.** Dependable lockset with rugged clutch mechanism, plus **vandal-proof all metal keypad.**
- **Multi-level user codes:** Master, 10 managers, 90 users, 3 service codes
- **Up to 100 different user codes** (3-5 digits)
- **100% keypad programmable** with a fingertip
- **Individual, group or total user lockout codes**
- **Easy passage mode** by manager and/or master
- **Easy to install in about an hour,** retrofits cylindrical knobsets and digital locks using slightly modified ANSI A115 Series Prep
- **Standalone battery operated;** uses 5 AA batteries
- **Key override.** All IC Core models include a large format key in knob cylinder, supporting Best, Falcon, Arrow and KSP. Other interchangeable core preps available: Yale, Medeco, Sargent, Corbin/Russwin, Schlage
- **Non-handed** for easy installation and versatility
- **2-wire remote override** or key bypass capability
- **Visual and audible entry indicators**
- **WP Models for weatherproof performance,** water-sealed for use inside and out, with operational temperature range of +151°F to -31°F (+66°C to -35°C)

(Note: all Trilogy models are available in WP weatherproof and non-WP standard models for interior doors.)



ALARM LOCK



OPERATION: Clutch mechanism permits turning lever without retracting latch and reduces stress on lock bodies and spindle. Outside lever free turning in locked position. Entering access code, key bypass, or remote bypass will allow lever to retract latch. Inside lever always instant egress.

DOOR THICKNESS: 1 5/8" to 1 7/8." Other thicknesses. Please consult Alarm Lock.

BACKSET: 2 3/4" Standard. 2 3/8" backset also available.

KEYPAD: All metal, 12 button programmable for multi-level access functions including group or individual user codes, master and management codes, passage and emergency or service code, lockout and remote override capability and allowable entry time from 5 to 20 seconds. 4 Different keypad tones and keypad may be silenced.

STANDARD KEY OVERRIDE CYLINDERS:

Solid brass 6 pin tumbler cylinder pinned 5, SC1 keyway, furnished in all locks. Additional tailpieces included: HW580 fits Schlage, Corbin/Russwin CL, Sargent 480 Series, ASSA65-611. Model HW620 fits Ilco and Lori cylinders.

INTERCHANGEABLE CORE MODELS: Accepts 6 & 7 Pin Cylinders from: Best, Arrow, KSP, Medeco Keymark & Kaba Peaks. Also available IC Core models for Yale, Medeco, Sargent, Corbin/Russwin CL and Schlage. Alarm Lock Tailpiece is supplied; IC Core is not included.

LATCHBOLT: UL Listed, fire rated, 3 hours, 1/2" throw, solid brass, deadlocking. Reversible. Adjustable front for flat or beveled doors.

STRIKE: 1 1/8" x 2 3/4" T strike & 1 1/4" x 4 7/8" ASA strike included. With screws for wood or metal jambs.

LATCH FRONT: 1 1/8" x 2 1/4" wrought brass or stainless steel.

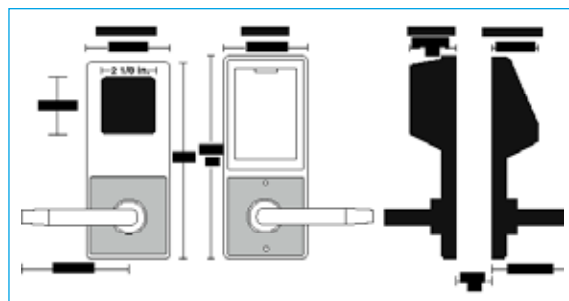
HANDING: Non-handed.

FINISHES: US3 polished brass, US26D satin chrome, US26 polished chrome, US5 antique brass, 10B Duronodic.

POWER: 5 AA alkaline batteries are now rated at 120,000 cycles, supplied. Audible low battery alert, visual and audible entry indicators, unique Flex Drive® motor.

DOOR PREP: Standard ANSI A115 Series Prep, modified by adding additional through-bolt holes.

COMPLIANCES: Grade I, heavy duty cylindrical lockset, UL listed and FCC certified. ADA compliant leversets.



Lever set in US3
DL2700/3



With IC Core in 26D
DL2700IC/26D



Secure battery compartment on inside door



DL2775/26D



FREE step-by-step online Trilogy installation seminar available 24/7 (broadband & dial-up versions).



ALARM LOCK

345 Bayview Ave, Amityville, New York 11701
1-800-ALA-LOCK • Fax 631-789-3383
www.alarmlock.com

Trilogy is a trademark of Alarm Lock. © NAPCO 7/2005
Patents and Patents Pending **ALA129f**

DL 27 00 WP IC /26D -Y

Model & Series:

DL27 = Trilogy T2 Series

Trim:

00 = Lever

50 = Knob

75 = Regal Trim Lever

Exterior / Interior Use:

WP = Weatherproof for exterior use

(Note: No "WP" indicates standard, interior use.)

Cylinder:

IC = Standard Interchangeable Core

Prep for Best, Falcon, Arrow, KSP

(Note: No "IC" indicates standard

K.O. cylinder.)

Finish:

/3 = US3 Polished Brass

/26 = US26 Polished Chrome

/26D = US26D Satin Chrome

/5 = US5 Antique Brass

/10B = Duronodic

Special Order IC Prep:

-Y = Yale

-M = Medeco

-R = Sargent

-C = Corbin/Russwin

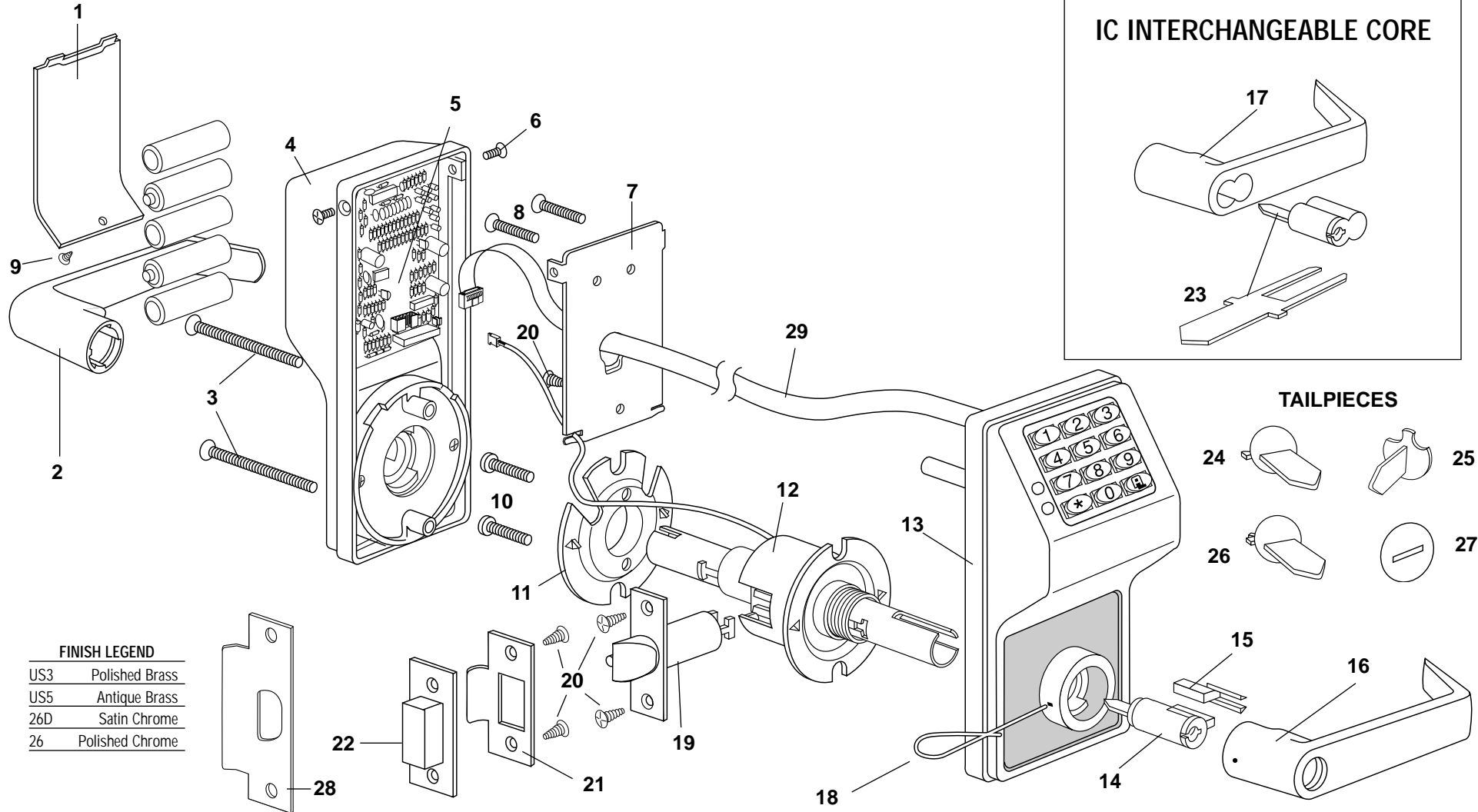
-S = Schlage (requires Regal Trim 75)



MODEL DL 2700 LEVER SETS PARTS LIST

Standard Cylinder and Interchangeable Core Models

Key Part No.	Description
1a	HW592-US3 Battery Cover
1b	HW592-US5 Battery Cover
1c	HW592-26D Battery Cover
1d	HW592-26 Battery Cover
2a	HW615-US3 Inside Lever
2b	HW615-US5 Inside Lever
2c	HW615-26D Inside Lever
2d	HW615-26 Inside Lever
Thru Bolt/10-32x2-1/2", (2)	
3a	SC458-US3 Flat Hd.,PH,MS
3b	SC458-US5 Flat Hd.,PH,MS
3c	SC458-26D Flat Hd.,PH,MS
3d	SC458-26 Flat Hd.,PH,MS
4a	S6017-US3 Inside Housing Ass'y w/PC Board
4b	S6017-US5 Inside Housing Ass'y w/PC Board
4c	S6017-26D Inside Housing Ass'y w/PC Board
4d	S6017-26 Inside Housing Ass'y w/PC Board
4e	S6044-US3 Inside Housing Ass'y less PC Board
4f	S6044-US5 Inside Housing Ass'y less PC Board
4g	S6044-26D Inside Housing Ass'y less PC Board
4h	S6044-26 Inside Housing Ass'y less PC Board
5	S6052 PC Board Assembly
Inside Mounting Screws (2)	
6a	P1526-US3 #6-32x3/8", Oval Hd
6b	P1526-US5 #6-32x3/8", Oval Hd
6c	P1526-26D #6-32x3/8", Oval Hd
6d	P1526-26 #6-32x3/8", Oval Hd
7	HW594 Inside Mounting Plate
Inside Mounting Plate Screws (2)	
8	SC459 #8-32 x 1", Flat Hd., PH, MS
9a	P5851-26D #4-40x1/4", Flat Hd., PH, MS
9b	P5851-US3 #4-40x1/4", Flat Hd., PH, MS
Inside Rose Screws (2)	
10	SC457 #10-32 x 1", w/#8 Pan Hd, PH, MS
11	HW564 Inside Rose
12	S6014 Lock Body Assembly
12A	S6015 IC Lock Body Assembly
13a	S6016-US3 Outside Housing Ass'y
13b	S6016-US5 Outside Housing Ass'y
13c	S6016-26D Outside Housing Ass'y
13d	S6016-26 Outside Housing Ass'y



FINISH LEGEND	
US3	Polished Brass
US5	Antique Brass
26D	Satin Chrome
26	Polished Chrome

Key Part No.	Description
14a	HW596-US3 Std. Cylinder Ass'y
14b	HW596-26D Std. Cylinder Ass'y
15	HW578 Cylinder Retainer
16a	HW614-US3 Outside Lever
16b	HW614-US5 Outside Lever
16c	HW614-26D Outside Lever
16d	HW614-26 Outside Lever
17a	HW616-US3 Outside Lever-IC Core
17b	HW616-US5 Outside Lever-IC Core
17c	HW616-26D Outside Lever-IC Core
17d	HW616-26 Outside Lever-IC Core

Key Part No.	Description
18	HW618 Lever Release Pin
19a	S6034-US3 Latch - 2-3/4" Backset
19b	S6034-US5 Latch - 2-3/4" Backset
19c	S6034-26D Latch - 2-3/4" Backset
19d	S6034-26 Latch - 2-3/4" Backset
19e	S6035-US3 Latch - 2-3/8" Backset
19f	S6035-US5 Latch - 2-3/8" Backset
19g	S6035-26D Latch - 2-3/8" Backset
19h	S6035-26 Latch - 2-3/8" Backset
20a	SC460-US3 #8x3/4" Combination screw
20b	SC460-US5 #8x3/4" Combination screw

Key Part No.	Description
20c	SC460-26D #8x3/4" Combination screw
20d	SC460-26 #8x3/4" Combination screw
21a	HW577-US3 Strike 2-3/4" x 1-1/8"
21b	HW577-US5 Strike 2-3/4" x 1-1/8"
21c	HW577-26D Strike 2-3/4" x 1-1/8"
21d	HW577-26 Strike 2-3/4" x 1-1/8"
22	P5847 Dust Box
23	HW598 IC Tailpiece for Best, Arrow, Falcon
24	HW597 Std. Tailpiece
25	HW580 Replacement tailpiece for Schlage
26	HW620 Replacement tailpiece for Lori

Key Part No.	Description
27	WA160 Tailpiece washer for all tailpieces
28a	HW470-US3 Strike 4-7/8" x 1-1/4"
28b	HW470-US5 Strike 4-7/8" x 1-1/4"
28c	HW470-26D Strike 4-7/8" x 1-1/4"
28d	HW470-26 Strike 4-7/8" x 1-1/4"
29	W279 Ribbon Cable Ass'y