



ELECTRONIC FUSE 8X 24V, 2X 1-12A, 6X 1-10A

- Eight Current Controlled Outputs
- Adjustable Output Currents for Each Channel
- Selective Tripping of Overloaded Channels
- Compatible even with large Capacitive Loads
- Output Currents Displayed Live on LED Matrix
- Remote Reset or Reset via Pushbuttons
- Common Signaling Relay Contact for Tripped Channels (PISA-B-812-B1)
- Digital Coded Signal Output for Tripped Channels (PISA-B-812-B4)
- Parameter Settings can be Locked by PIN-Code
- ON/OFF Feature for Each Individual Output
- Easy Wiring - Distribution Terminals for Negative Pole
- 3 Year Warranty

GENERAL DESCRIPTION

The PISA-B devices are DIN rail mountable eight channel protection modules with integrated electronic fuses for 24V systems. They distribute the current of a large power source to eight output channels each of lower current and therefore allowing for smaller wires to be used.

The output current of each channel can be set individually. Channel 1 and 2 are optimized for loads with large input capacitances. Connect such loads to these channels to avoid false tripping or unexpected switch-off such loads.

The PISA-B-812-B1 is equipped with a common tripping signaling relay contact that reports tripped channels, while the PISA-B-812-B4 has a digital coded signal output built in for this function.

All PISA-B devices are equipped with push-in terminals, which are optimized for automated wiring. The mechanically robust housing is made of a high-grade, reinforced molded material on the front and of an aluminum body, which permits surrounding temperatures up to +70°C.

SHORT-FORM DATA

Input voltage	DC 24V	-20%/+25%
Required input voltage for turning-on of outputs	19.6Vdc	
Input current	40A	
Internal consumption	40mA	PISA-B-812-B1
	35mA	PISA-B-812-B4
Nominal output current		Adjustable
	1/2/3/4/6/8/10/12A	CH1 and CH2
	1/2/3/4/6/8/10A	CH3 to CH8
Sum current all channels	40A	Below +60°C ambient
	30A	At +70°C ambient
		Derate between +60°C and +70°C
Current limitation		
CH1-CH2	200%	For 1A setting
	150%	For 2 - 8A settings
	130%	For 10 - 12A settings
CH3-CH8	50A	
Tripping characteristics	Slow or Fast	Selectable
Tripping delay		
CH1-CH2	2ms – 2s	At short circuit
CH3-CH8	<10ms	At short circuit
CH1-CH8	1.1s	For slow tripping at 1.5x nominal current
CH1-CH8	0.22s	For fast tripping at 1.5x nominal current
Max load capacitance capability		
CH1-CH2	100mF	Per channel
CH3-CH8	20mF	Per channel
Voltage drop per channel		
CH1-CH2	125mV	For 10A load
CH3-CH8	165mV	For 10A load
Standby losses	1W	
Power losses	10.8W	At 8x 5A load
Temperature range	-25°C to 70°C	
Size (w x h x d)	52x124x130mm	Without DIN rail
Weight	370g / 0.82lb	

ORDER NUMBERS

Description: Electronic Fuse PISA-B-812-Bx-xx
Order Number:
PISA-B-812-B1 Common signaling relay contact
PISA-B-812-B4 Digital coded signal output

Accessories:
BUS-BAR1-L102: A set for 2 modules
BUS-BAR1-L155: A set for 3 modules
BUS-BAR1-L500: Single piece L=500mm

MAIN APPROVALS

For details and a complete approval list, see chapter 20.



UL 2367



UL 61010-2-201

CB Report Available

IEC 61010
IEC 62368 planned

Index

1	Intended Use.....	3	13	Front Side And User Elements.....	13
2	Installation Instructions.....	3	14	Terminals And Wiring.....	13
3	Typical Wiring Scheme.....	4	15	Lifetime Expectancy.....	14
4	DC-Input.....	5	16	MTBF.....	14
5	Output.....	5	17	EMC.....	15
6	Output Tripping Characteristics.....	7	18	Environment.....	16
7	Control and Monitoring Features.....	8	19	Safety Features and Protection Features.....	17
8	Digital Coded Interface (PISA-B-812-B4).....	11	20	Approvals and Fulfilled Standards.....	18
9	Alarm Relay Contact (PISA-B-812-B1).....	11	21	Regulatory Compliance.....	18
10	Reset Input.....	11	22	Physical Dimensions And Weight.....	19
11	Efficiency and Power Losses.....	11	23	Accessories.....	20
12	Functional Diagram.....	12	23.1	Power Connection - Power-Bus-Bars.....	20

The information given in this document is correct to the best of our knowledge and experience at the time of publication. If not expressly agreed otherwise, this information does not represent a warranty in the legal sense of the word. As the state of our knowledge and experience is constantly changing, the information in this data sheet is subject to revision. We therefore kindly ask you to always use the latest issue of this document (available under www.pulspower.com).

No part of this document may be reproduced or utilized in any form without our prior permission in writing.

Packaging and packaging aids can and should always be recycled. The product itself may not be disposed of as domestic refuse.

TERMINOLOGY AND ABBREVIATIONS

DC 24V	A figure displayed with the AC or DC before the value represents a nominal voltage with standard tolerances (usually $\pm 15\%$) included. E.g.: DC 12V describes a 12V battery disregarding whether it is full (13.7V) or flat (10V)
24Vdc	A figure with the unit (Vdc) at the end is a momentary figure without any additional tolerances included.
may	A key word indicating flexibility of choice with no implied preference.
shall	A key word indicating a mandatory requirement.
should	A key word indicating flexibility of choice with a strongly preferred implementation.

1. Intended Use

This device is designed for installation in an enclosure and is intended for commercial use, such as in industrial control, process control, monitoring and measurement equipment or the like.

Do not use this device in equipment, where malfunctioning may cause severe personal injury or threaten human life without additional appropriate safety devices, that are suited for the end-application.

If this device is used in a manner outside of its specification, the protection provided by the device may be impaired.

2. Installation Instructions

⚠ DANGER Risk of electrical shock, fire, personal injury or death.

- Turn power off before working on the device. Protect against inadvertent re-powering.
- Do not open, modify or repair the device.
- Use caution to prevent any foreign objects from entering the housing.
- Do not use in wet locations or in areas where moisture or condensation can be expected.
- Do not touch during power-on, and immediately after power-off. Hot surfaces may cause burns.

Obey the following installation instructions:

This device may only be installed and put into operation by qualified personnel. This device does not contain serviceable parts. If damage or malfunction should occur during installation or operation, immediately turn power off and send unit to the factory for inspection.

Install the device in an enclosure providing protection against electrical, mechanical and fire hazards. Install the device onto a DIN rail according to EN 60715 with the input terminals on top of the unit.

Up to eight devices can be connected via two power-bus-bars, where only one device is connected to the power supply. The power-bus-bars must be long enough to make a connection to all contacts of the devices.

Use an appropriately sized 24V power supply, which can deliver the peak current required to trip the load channels. If peak currents are too low, the supply voltage for the protection module can no longer be maintained, which results in a malfunctioning of the protection module.

Make sure that the wiring is correct by following all local and national codes. Use appropriate copper cables that are designed for a minimum operating temperature of 60°C for ambient temperatures up to +45°C, 75°C for ambient temperatures up to +60°C and 90°C for ambient temperatures up to +70°C. Ensure that all strands of a stranded wire enter the terminal connection.

The device is designed for pollution degree 2 areas in controlled environments. No condensation or frost is allowed. The enclosure of the device provides a degree of ingress protection of IP20. The housing does not provide protection against spilled liquids.

The isolation of the devices is designed to withstand impulse voltages up to 1.5kV according to IEC 60664-1.

The input can be powered from a regulated power supply or a similar DC source.

The input must be powered from a PELV or SELV source in order to maintain a SELV or PELV output. Check for correct input polarity. The device will not operate when the voltage is reversed.

A disconnecting means shall be provided for the input of the device.

The device is designed as "Class of Protection III" equipment according to IEC 61140.

The device is designed for convection cooling and does not require an external fan. Do not obstruct airflow and do not cover ventilation grid!

Keep the following minimum installation clearances: 40mm on top, 20mm on the bottom, 5mm left and right side. Increase the 5mm to 15mm in case the adjacent device is a heat source. Between multiple PISA-B modules, no clearance is needed.

The device is designed for altitudes up to 5000m (16 400ft).

The maximum surrounding air temperature is +70°C (+158°F). The operational temperature is the same as the ambient or surrounding air temperature and is defined 2cm below the device. The device is designed to operate in areas between 5% and 95% relative humidity.

3. Typical Wiring Scheme

One fuse module is suitable to distribute the current to 8 consumers. If there are more than eight consumers, up to eight fuse modules can be used (64 consumers). The supply of the individual fuse modules can be done by means of power-bus-bars, which are available as accessory parts. The supply of the 24V is then only done by one fuse module, preferably in the middle, because the current is then better distributed in both directions and the permissible current of the power-bus-bar of 32A is not exceeded.

Fuse modules can be lined up on the DIN rail without spacing. The power-bus-bars can be plugged in from the front and must have a length that all plug contacts of the modules make a contact.

The (+) pole terminals of the loads must be connected to the outputs of the fuse module. The fuse module also has a distribution for the (-) pole connection. This internal distribution can be used and reduces the wiring effort. However, an external distribution of the (-) pole connection may also be used, as shown in Fig. 3-2.

The channel 1 and 2 are optimized for loads with large input capacitances. Connect such loads to these channels to avoid a false tripping or unexpected switch-off of these channels.

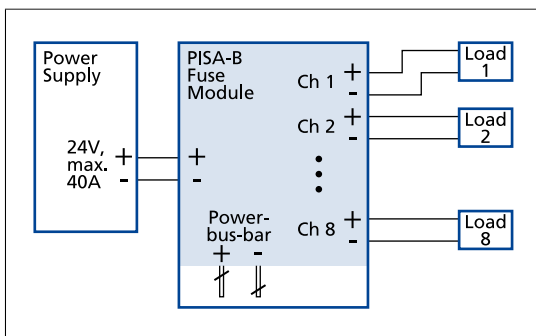


Fig. 3-1: Typical wiring scheme for one fuse module (8 loads)

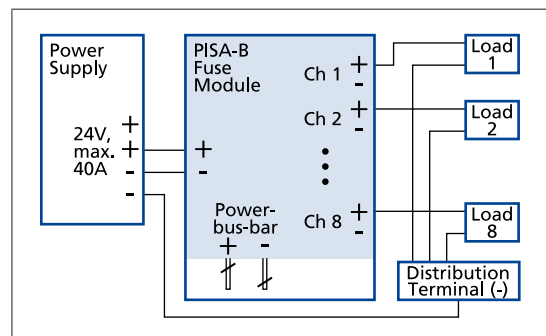


Fig. 3-2: Typical wiring scheme utilizing an external distribution terminal for the negative pole

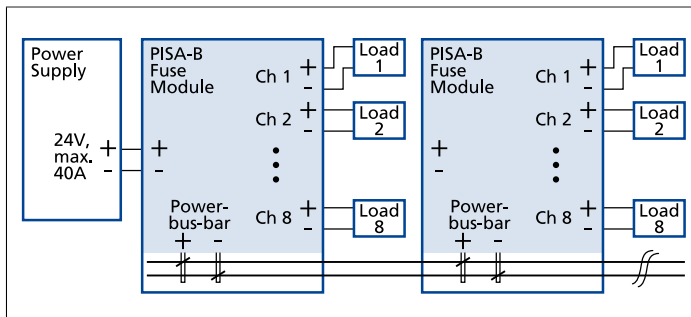


Fig. 3-3: Typical wiring scheme for multiple modules

4. DC-Input

The input can be powered from a regulated power supply or a similar DC source. Use an appropriately sized power supply, which can deliver the required output current.

If a power supply with a continuous output current greater than 50A is used, a fuse or circuit breaker with 63A (B- or C-Characteristic) must be connected between the power supply and the electronic fuse module.

The continuous voltage between the input and ground must not exceed 60Vdc.

The input must be powered from a PELV or SELV source or an "Isolated Secondary Circuit" in order to maintain SELV or PELV outputs.

Check for correct input polarity. The device will not operate when the voltage is reversed.

Input voltage	nom.	DC 24V	-20%/+25%
Input voltage range		19.2-30Vdc	
Input voltage required to switch on the outputs	typ.	19Vdc	
	max.	19.6Vdc	
Input current	max.	40A	At fully loaded outputs
Internal current consumption			Stand-by current with no load current on the outputs
	typ.	40mA	For PISA-B-812-B1
	typ.	35mA	For PISA-B-812-B4

5. Output

The output can supply any kind of loads, including inductive and capacitive loads. The maximum size of capacitive loads is specified in the table below (see Tab. 5-1). Larger load capacitors might result in an unintended turn-off of the channel. More detailed information regarding allowable capacitive loads is available on request. If in doubt or when you do not know the input capacitance of your load, we recommend to perform tests with the real load.

Output channels can be switched on and off separately by pushing the corresponding control button for longer than 50ms. A switched off channel is displayed with the uppermost red LED of the LED bar graph. Factory setting is that all channels are switched on.

When the sum of the output currents is greater than 40A, the device turns off the output channels one by one, starting with the overloaded channels and followed by CH8 to CH1, until the sum current is less than 40A.

Channels 1 and 2 have a current limited output, while channels 3 to 8 have an overcurrent shutdown behaviour only.

- Do not apply reverse voltages from the load to the output terminals that are higher than 30V and last longer than 1s.
- Do not parallel outputs for higher output currents.
- Do not connect outputs in a series connection for higher output voltages.
- Do not connect batteries for charging purposes to the output of the device.

In order to avoid too high peak currents on the 24V supply when applying the 24V supply voltage, the output channels are switched on in delayed steps. Channel 1 switches on after 50ms followed by the remaining channels with a delay of 100ms each. This scheme applies when all channels are switched on. Channels that are switched off are skipped.

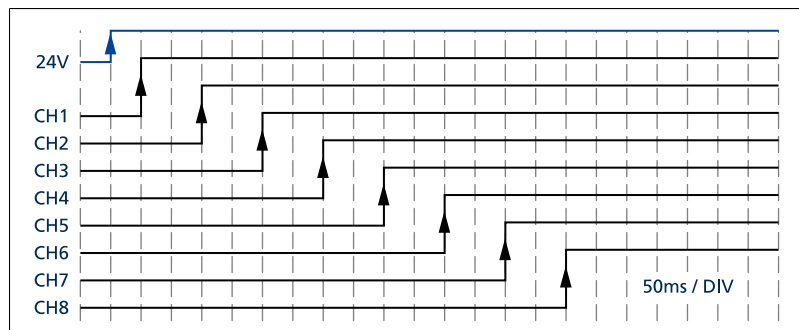


Fig. 5-1: Turn-On sequence after applying an input voltage

Output voltage	nom.	DC 24V	The output voltage is equal to the input voltage minus the voltage drop of the module.
Voltage drop per channel	typ.	125mV	For CH1 or CH2 at 10A load when all other channels are not loaded
	typ.	190mV	For CH1 or CH2 when all channels are loaded with 5A
	typ.	165mV	For CH3 to CH8 at 10A load when all other channels are not loaded
	typ.	210mV	For CH3 to CH8 when all channels are loaded with 5A
Sum current for all channels	max.	40A	Below +60°C ambient
	max.	30A	At +70°C ambient
Current settings per channel	nom.	1/2/3/4/6/8/10/12A	For CH1 and CH2
	nom.	1/2/3/4/6/8/10A	For CH3 to CH8
Factory setting		1A	For all channels
Current limitation	typ.	200%	For CH1 and CH2 in 1A setting
	typ.	150%	For CH1 and CH2 in 2A to 8A settings
	typ.	130%	For CH1 and CH2 in 10A and 12A settings
	typ.	50A	For CH3 to CH8, independent of the settings Channels 1 and 2 have a current limited output, while channels 3 to 8 have an overcurrent shutdown behaviour only.
Load capacitance capability	max.	100mF	For CH1 and CH2 per channel
	max.	20mF	For CH3 to CH8 per channel
Output leakage current	max.	2mA	Per channel, when CH1 and CH2 are switched off
	typ.	1.2mA	Per channel, when CH1 and CH2 are switched off
	max.	50µA	Per channel, when CH3 to CH8 are switched off
Turn-on delay of outputs	typ.	750ms	Period between applying the input voltage and turning on all output channels.

Tab. 5-1: Output data

Do not load the individual channels with higher average currents depending on the ambient temperature. Examples of maximal average output current per channel depending on the ambient temperature:

Ambient Temperature	CH1	CH2	CH3	CH4	CH5	CH6	CH7	CH8	Max. sum currents of all channels
-25°C to +40°C	12A	12A	10A	10A	10A	10A	10A	10A	40A
+41°C to +50°C	10A	10A	10A	10A	8A	8A	8A	8A	40A
+51°C to +55°C	12A	12A	8A	8A	8A	8A	8A	8A	40A
+51°C to +55°C	10A	10A	2A	10A	2A	10A	2A	2A	40A
+56°C to +60°C	8A	8A	8A	8A	8A	8A	8A	8A	40A
+56°C to +60°C	12A	12A	6A	6A	6A	8A	8A	8A	40A
+61°C to +70°C	12A	12A	6A	6A	6A	6A	6A	6A	30A

6. Output Tripping Characteristics

The tripping current can be set individually for all channels and the tripping characteristic can be set to Slow or Fast as a common parameter for all channels.

Tripping characteristic		Slow / Fast	selectable, factory setting is Fast
Tripping delay	typ.	1.1s	For all channels in Slow mode at 1.5x nominal current
	typ.	0.22s	For all channels in Fast mode at 1.5x nominal current
	typ.	2ms – 2s	For CH1 and CH2 in short circuit
	max.	10ms	For CH3 to CH8 in short circuit

The following curves show the let-through current areas, which are located to the left of the curves, and the tripping areas, which are located to the right of the curves.

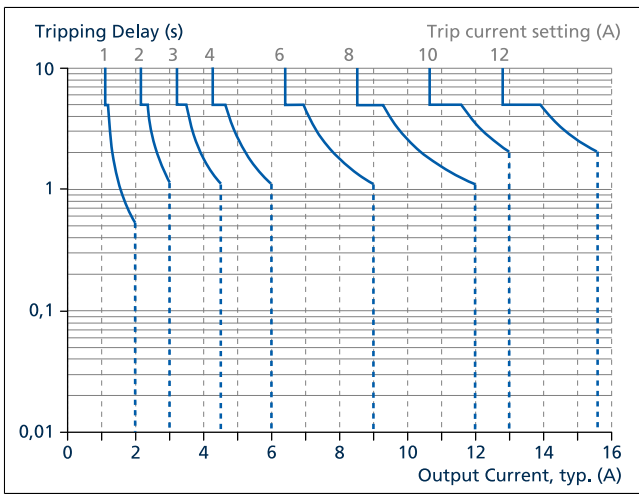


Fig. 6-1: CH1 and CH2 tripping diagrams in Slow mode

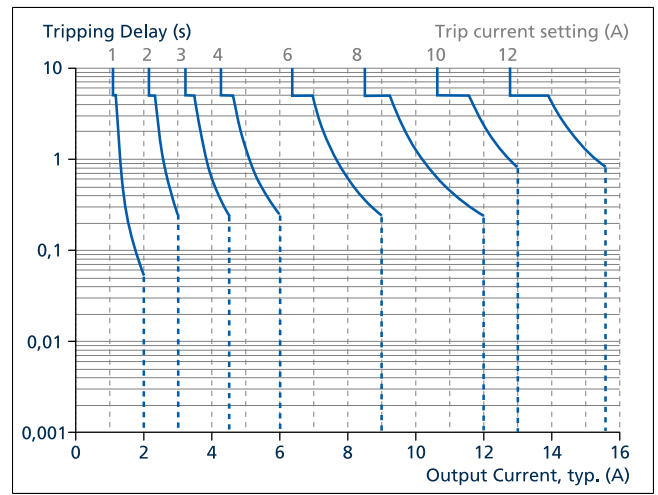


Fig. 6-2: CH1 and CH2 tripping diagrams in Fast mode

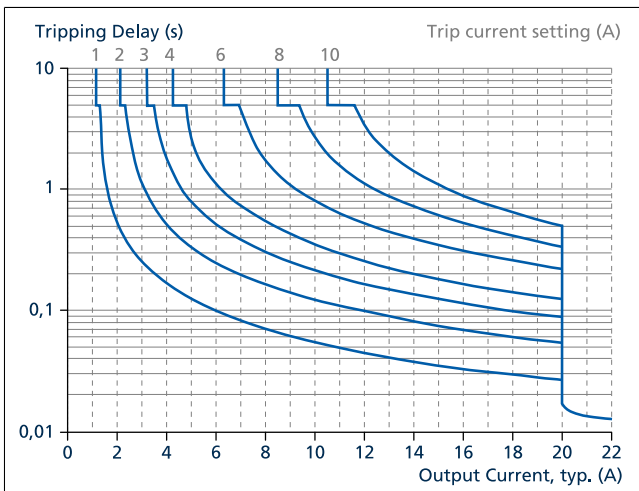


Fig. 6-3: CH3 to CH8 tripping diagrams in Slow mode

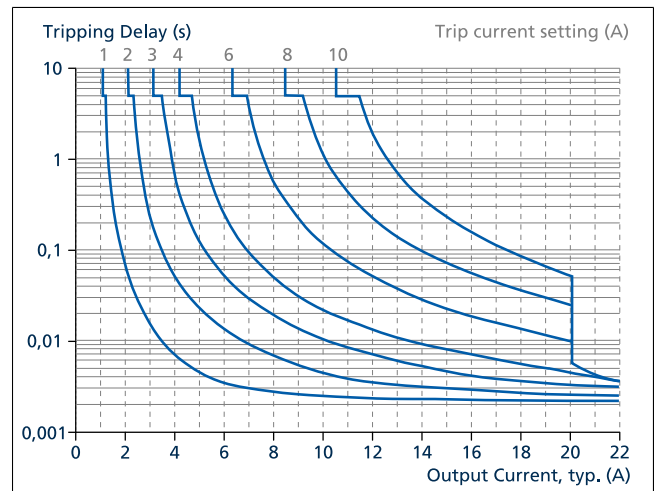


Fig. 6-4: CH3 to CH8 tripping diagrams in Fast mode

7. Control And Monitoring Features

The LED matrix display provides information about measurement, set parameters and errors and contains two modes. To switch between the two modes, the measurement mode and the parameter mode, push the SET button and the channel control button 4.

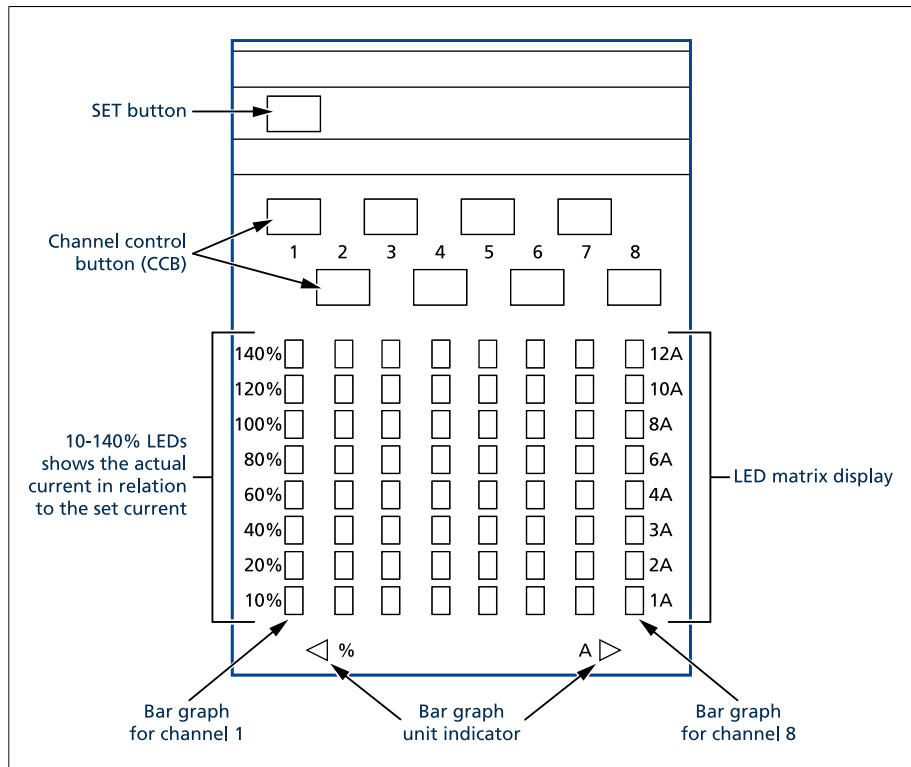


Fig. 7-1: Control and monitoring elements

Special Key Combinations

Special shortcuts allow quick access to certain information:

Press **SET + CCB1** button: Lock/Unlock setting with PIN

Press **SET + CCB2** button: Show FW version

Press **SET + CCB3** button: Slow/Fast mode

Press **SET + CCB4** button: Measurement/Parameter mode

Measurement Mode

The "%" scale on the left side of the LED Matrix is used in this mode, which is also indicated by the triangular LED below the LED matrix display. In this mode the actual current values are shown and the LED matrix display also shows, if a channel has switched off due to a too high current or on purpose.

- One or more green/yellow LEDs are on: These LEDs indicate the actual channel current in percent of the set value. Peak values are stored in a peak detector and are additionally shown with one LED for a short period of time.
- Uppermost LED is red: This indicates a switched off channel. To switch the channel back on, the corresponding channel control button must be pressed for at least 50ms. A further push switches the channel off again.
- Uppermost LED is single flashing in red (2Hz): This indicates that a channel has switched off due to too high current. A restart can be done either by a button on the unit or by a control signal. Therefore, push the corresponding channel control button for longer than 1s or apply a voltage between 10 and 30Vdc (max. 6mA current consumption) for longer than 1s to the reset input. The reset input is galvanically isolated from the rest of the device.
- Uppermost LED is double flashing in red: This indicates that a channel has switched off because the total current of the module exceeds 40A. In such cases, first the overloaded channels are switched off, then channels 8 to 1 in descending order.
- Display of the settings for tripping currents and tripping characteristic: Push the SET button for more than 50ms. First the tripping currents are displayed, followed by the tripping characteristic with the letter "F" (for fast tripping) or "S" (for slow tripping). This function ends automatically after 5s.

Parameter Mode

The "A" scale on the right side of the LED Matrix is used in this mode, which is also indicated by the triangular LED below the LED matrix display. In this mode the set values for the tripping currents for each individual channel are displayed and the LED matrix display also shows if a channel has switched off due to a too high current or on purpose.

- Displaying of the set current: The green LED shows the set current of the individual channel.
- Displaying of the tripping characteristic: Push the SET button. The selected characteristic is shown on the LED matrix for 2 seconds. Letter F indicates the fast and the letter S the slow tripping characteristic.
- Red LEDs: These indicate a switched off or overloaded channel and include the same LED blinking pattern and push-button behavior as in the measurement mode. If a channel is set to 12A, the LED below the uppermost LED will display this switched-off information.

Changing of Trip Currents and Trip Characteristic

Factory settings are that all channels are turned on with a 1A setting in a fast tripping characteristic and in measurement mode. Parameters can be changed in the measurement mode as well as in the parameter mode. Parameters can be changed regardless of whether a channel is switched off or not.

- Changing the current settings: Press and hold the SET button for at least 1s. The triangular green "A" LED starts flashing. After that, shortly tap the channel control button multiple times to adjust the current step by step. When the desired setting is found, press the SET buttons for more than 50ms to save the setting. This mode ends automatically 10 seconds after no more buttons are pushed. In case the settings are not saved by pressing the SET button, changes of tripping currents are not stored.
- Changing of the tripping characteristic (slow or fast): To change the characteristic for all channels push the SET and the channel control button 3 at the same time. The selected characteristic is shown on the LED matrix for 2 seconds and stored automatically. Letter "F" indicates the fast and "S" the slow tripping characteristic.

Tripping currents and characteristic setting can be protected against changes with a PIN code. To lock the settings push the SET and channel control button 1 until the unit shows a moving text "PIN TO LOCK". Enter a 4-digit PIN by pushing any combination of channel control buttons 1-8. Push the SET button to save the PIN, the unit shows a moving text "LOCKED". To unlock settings push the SET and channel control button 1, the unit shows a moving text "PIN TO UNLOCK" and enter the 4-digit PIN you selected and confirm it by pushing the SET button.

For LED pattern examples, please refer to Fig. 7.2 and Fig. 7.3.

LED pattern example

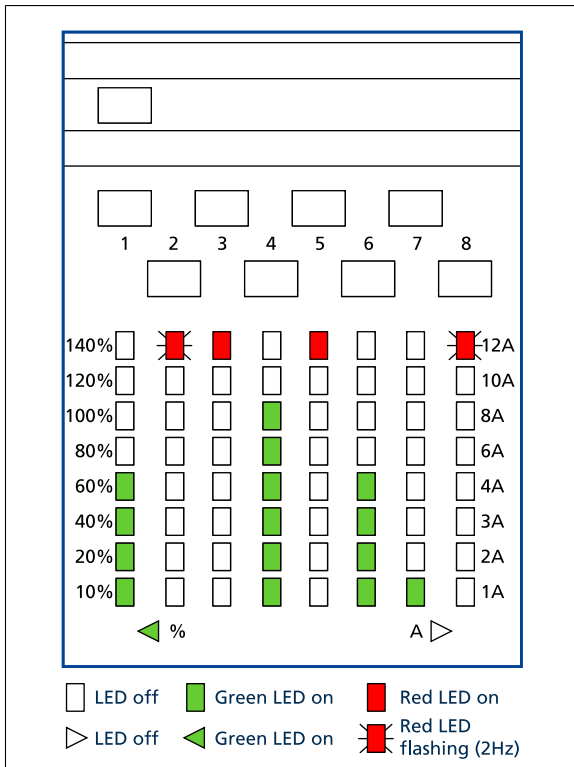


Fig. 7-2: LED Light pattern in measurement mode

Description:

- Channel 1 is loaded with 40-60% of the set current
- Channel 2 has tripped due to over current
- Channel 3 is turned off on purpose (with push-button)
- Channel 4 is loaded with 80-100% of the set current
- Channel 5 is turned off on purpose (with push-button)
- Channel 6 is loaded with 40-60% of the set current current
- Channel 7 is loaded with 0-10% of the set current current
- Channel 8 has tripped due to over current

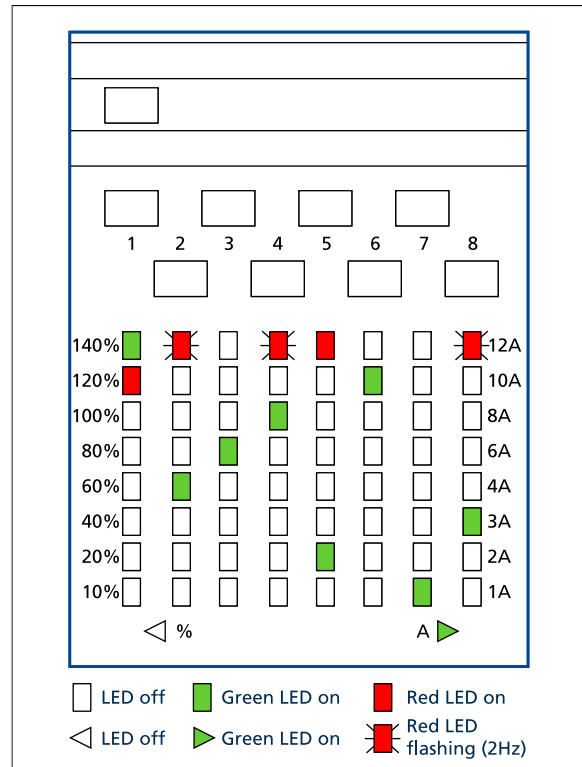


Fig. 7-3: LED Light pattern in parameter mode

Description:

- Channel 1 is set to 12A but turned off with push-button
- Channel 2 is set to 4A but has tripped due to over current
- Channel 3 is set to 6A and output is on
- Channel 4 is set to 8A, but has tripped due to over current
- Channel 5 is set to 2A but turned off with push-button
- Channel 6 is set to 10A and output is on
- Channel 7 is set to 1A and output is on
- Channel 8 is set to 3A but has tripped due to over current

8. Digital Coded Interface (PISA-B-812-B4)

The device is equipped with a "Digital Coded Alarm Signal" output (pins 13 and 14), which provides information about individual channel tripping. The signal is an opto-coupler-type output which is low ohmic for start bit and for tripped channels.

Threshold value for start	typ.	0.7V @ 1mA, 1.1V @ 5mA
Signal voltage	max.	+35Vdc
Signal current	max.	10mA
Isolation voltage	see chapter 19	

The signal sequence starts with 200ms start bit followed by a 100ms gap and 100ms signal related to CH1 etc. The whole sequence is periodically repeated every 1900ms.

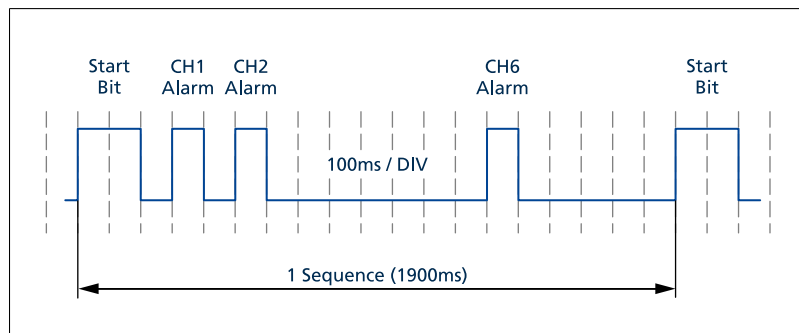


Fig. 8-1: Digital Coded Alarm Signal – Signal Sequence

9. Alarm Relay Contact (PISA-B-812-B1)

The device is equipped with an alarm contact. The normally closed (NC) contact closes as soon as one output channel has switched off (common signalling) or the input voltage is lower than 19Vdc.

Contact ratings	max. 60Vdc 0.3A, 30Vdc 1A, 30Vac 0.5A, resistive load	
	min. Permissible load: 1mA at 5Vdc	
Isolation voltage	see chapter 19	

10. Reset Input

A restart of switched-off channels can be done either by a button on the unit or by a control signal on the reset input (pins 11-12). Therefore, push the corresponding channel control button for longer than 1s or apply a voltage between 10 and 30Vdc for longer than 1s to the reset input. The reset input is galvanically isolated from the rest of the device.

Reset voltage	min. 10Vdc	
	max. 30Vdc	
Reset delay	min. 1s - apply the reset voltage for at least this time to restart switched-off channels	
Signal voltage	min. -35Vdc	
	max. +35Vdc	
Signal current	max. 6mA, current limited	
Isolation voltage	see chapter 19	

11. Efficiency And Power Losses

Efficiency	typ.	98.9%	At 8x 5A output load
Power losses	typ.	1W	At no output loads
	typ.	10.8W	At 8x 5A output load

12. Functional Diagram

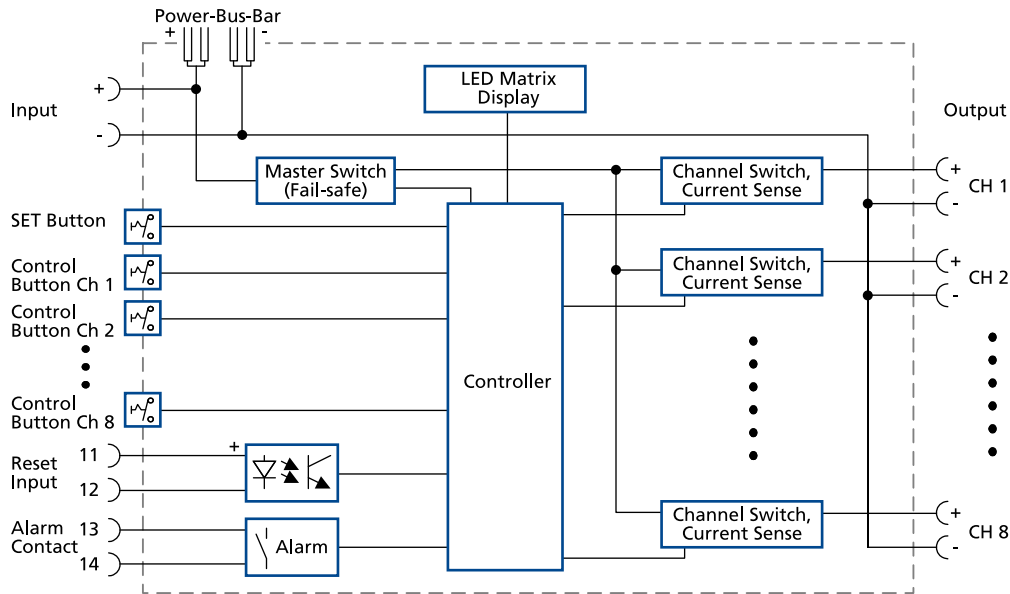


Fig. 12-1: Functional diagram PISA-B-812-B1

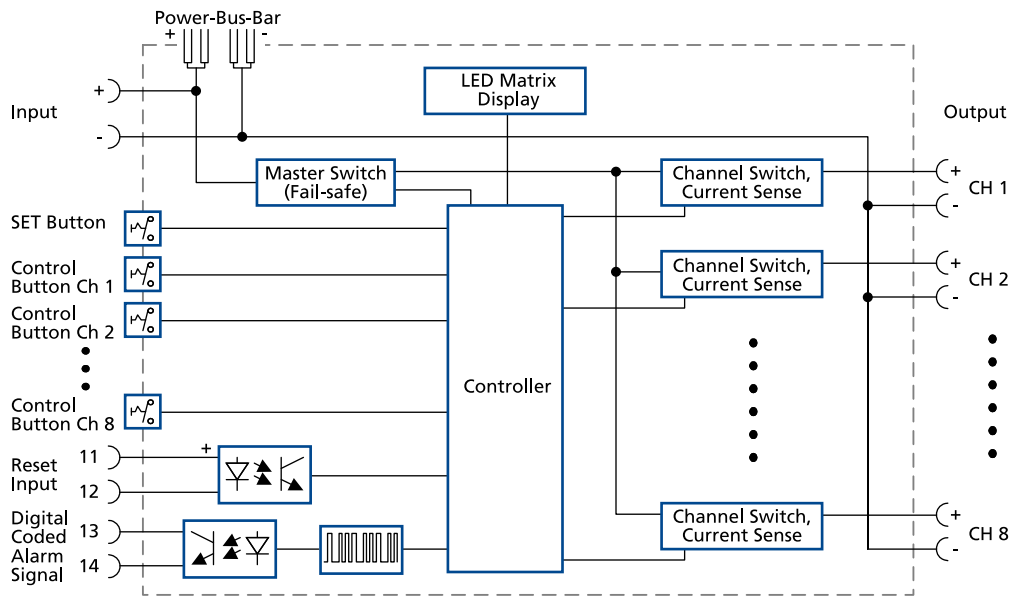
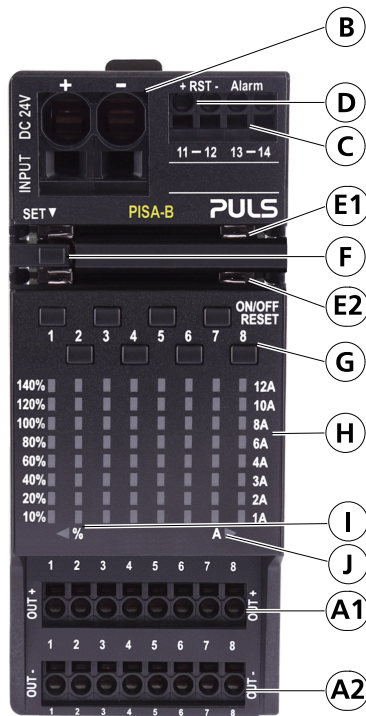


Fig. 12-2: Functional diagram PISA-B-812-B4

13. Front Side And User Elements



- A Output terminals CH1 – CH8**
A1: (+) Positive output poles
A2: (-) Negative (return) output poles
- B Input terminals**
(+) Positive input pole
(-) Negative (return) input pole
- C Alarm signal (pin 13-14)**
 PISA-B-812-B1: Relay contact
 PISA-B-812-B4: Digital coded signal
- D Signal input to restart switched-off channels (pin 11-12)**
- E Slot for interconnecting power-bus-bar for supply voltage**
 E1: Interconnection for positive input power-bus-bar
 E2: Interconnection for negative (return) input power-bus-bar
- F Set button required for controlling the unit**
- G Channel control buttons**
- H LED matrix display**
- I LED which indicates percentage values of the LED matrix**
- J LED which indicates ampere values of the LED matrix**

Fig. 13-1: Front side

14. Terminals And Wiring

The terminals are IP20 Finger safe constructed and suitable for field- and factory wiring.

	Input Terminals	Output Terminals	Signal Terminals
Type	Push-in terminals	Push-in terminals	Push-in terminals
Solid wire	Max. 16mm ²	Max. 2.5mm ²	Max. 2.5mm ²
Stranded wire	Max. 16mm ²	Max. 2.5mm ²	Max. 2.5mm ²
Stranded wire with ferrules	Max. 10mm ²	Max. 1.5mm ²	Max. 1.5mm ²
American Wire Gauge	AWG 20-4	AWG 24-12	AWG 24-12
Max. wire diameter (including ferrules)	6.1mm	2.3mm	2.3mm
Wire stripping length	19mm / 0.75inch	10mm / 0.4inch	10mm / 0.4inch
Screwdriver	5mm slotted to open the spring	3mm slotted to open the spring	3mm slotted to open the spring

All parameters are specified at 24Vdc input voltage, 8x5A output currents, 25°C ambient and after a 5 minutes run-in time unless otherwise noted.

15. Lifetime Expectancy

The Lifetime expectancy shown in the table indicates the minimum operating hours (service life) and is determined by the lifetime expectancy of the built-in electrolytic capacitors. Lifetime expectancy is specified in operational hours and is calculated according to the capacitor’s manufacturer specification.

Please note: The manufacturer of the electrolytic capacitors only guarantees a maximum life of up to 15 years (131 400h). Any number exceeding this value is a calculated theoretical lifetime which can be used to compare devices.

Lifetime expectancy	t.b.d.	At 24V, 8x5A and 40°C
	t.b.d.	At 24V, 8x2.5A and 40°C
	t.b.d.	At 24V, 8x5A and 25°C
	t.b.d.	At 24V, 8x2.5A and 25°C

16. MTBF

MTBF stands for **Mean Time Between Failure**, which is calculated according to statistical device failures, and indicates reliability of a device. It is the statistical representation of the likelihood of a unit to fail and does not necessarily represent the life of a product.

The MTBF figure is a statistical representation of the likelihood of a device to fail. A MTBF figure of e.g. 1 000 000h means that statistically one unit will fail every 100 hours if 10 000 units are installed in the field. However, it cannot be determined if the failed unit has been running for 50 000h or only for 100h.

For these types of units the MTTF (**Mean Time To Failure**) value is the same value as the MTBF value.

MTBF SN 29500, IEC 61709	t.b.d.	At 24V, 8x5A and 40°C
	t.b.d.	At 24V, 8x5A and 25°C
MTBF MIL HDBK 217F	t.b.d.	At 24V, 8x5A and 40°C; Ground Benign GB40
	t.b.d.	At 24V, 8x5A and 25°C; Ground Benign GB25
	t.b.d.	At 24V, 8x5A and 40°C; Ground Fixed GF40
	t.b.d.	At 24V, 8x5A and 25°C; Ground Fixed GF25

17. EMC

The EMC behavior of the device is designed for applications in industrial environment as well as in residential, commercial and light industry environment without any restrictions.

The device complies with EN 61000-6-1, EN 61000-6-2, EN 61000-6-3, EN 61000-6-4.

The device complies with FCC Part 15 rules. Operation is subjected to following two conditions: (1) this device may not cause harmful interference, and (2) this device must accept any interference received, including interference that may cause undesired operation.

The chassis of the device is earthed through the DIN rail mounting connection to a grounded metal plate.

EMC Immunity	Power lines and housing			
Electrostatic discharge	EN 61000-4-2	Contact discharge	8kV	Criterion A
		Air discharge	8kV	Criterion A
Electromagnetic RF field	EN 61000-4-3	80MHz - 6GHz	10V/m	Criterion A
Fast transients (Burst)	EN 61000-4-4	Input lines	2kV	Criterion A
		Output lines	2kV	Criterion A
Surge voltage on input lines	EN 61000-4-5	(+) → (-)	500V	Criterion B
		(+) / (-) → housing	1kV	Criterion B
Surge voltage on output lines	EN 61000-4-5	(+) → (-)	500V	Criterion B
		(+) / (-) → housing	1kV	Criterion B
Conducted disturbance	EN 61000-4-6	0.15 - 80MHz	10V	Criterion A

EMC Immunity	Signals lines			
Electromagnetic RF field	EN 61000-4-3	80MHz - 6GHz	10V/m	Criterion A
Fast transients (Burst)	EN 61000-4-4	With coupling clamp	2kV	Criterion A
Surge	EN 61000-4-5	Signal → housing	1kV	Criterion A
Conducted disturbance	EN 61000-4-6	0.15 - 80MHz	10V	Criterion A

Performance Criteria:

A: The device shows normal operation behavior within the defined limits.

B: The device operates continuously during and after the test. During the test minor temporary impairments may occur, which will be corrected by the device itself.

EMC Emission

Conducted emission	IEC/CISPR 16-1-2, IEC/CISPR 16-2-1	Input lines	Limits for local DC power networks fulfilled.
	IEC/CISPR 16-1-2, IEC/CISPR 16-2-1	Output lines	Limits for local DC power networks fulfilled.
	IEC/CISPR 16-1-2, IEC/CISPR 16-2-1	Signal lines	Limits for wired network ports fulfilled.
Radiated emission	EN 55011, EN 55032, CISPR 11, CISPR 32		Class B

Switching Frequencies

Microcontroller	8MHz	Fixed frequency
Internal communication bus	400kHz	Fixed frequency
Internal auxiliary voltage	100kHz	Fixed frequency

18. Environment

Operational temperature	-25°C to +70°C (-13°F to 158°F)	The operational temperature is the ambient or surrounding temperature and is defined as the air temperature 2cm below the device.
Storage temperature	-40°C to +85°C (-40°F to 185°F)	For storage and transportation
Output derating	1A/°C 2.5A/1000m or 5°C/1000m The derating is not hardware controlled. The user has to take this into consideration to stay below the derated current limits in order not to overload the unit.	Between +60°C and +70°C (140°F to 158°F), see Fig. 18-1 For altitudes >2000m (6560ft), see Fig. 18-2
Humidity	5 to 95% r.h.	According to IEC 60068-2-30
Atmospheric pressure	110-54kPa	See Fig. 18-2 for details
Altitude	Up to 5000m (16 400ft)	See Fig. 18-2 for details
Over-voltage category	N/A	
Impulse withstand voltages	1.5kV	Between input and chassis (according to IEC 60664-1 over-voltage category II)
Degree of pollution	2	According to IEC 60664-1, not conductive
Vibration sinusoidal	2-17.8Hz: ±1.6mm; 17.8-500Hz: 2g 2 hours / axis	According to IEC 60068-2-6
Shock	30g 6ms, 20g 11ms 3 bumps per direction, 18 bumps in total Shock and vibration is tested in combination with DIN rails according to EN 60715 with a height of 15mm and a thickness of 1.3mm.	According to IEC 60068-2-27

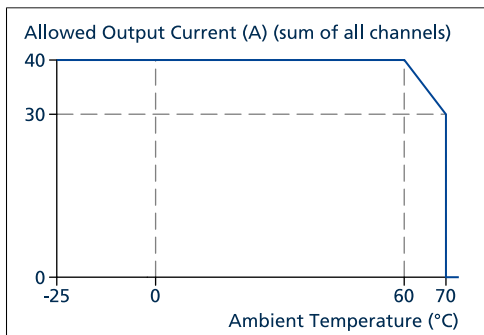


Fig. 18-1: Output current vs. ambient temp.

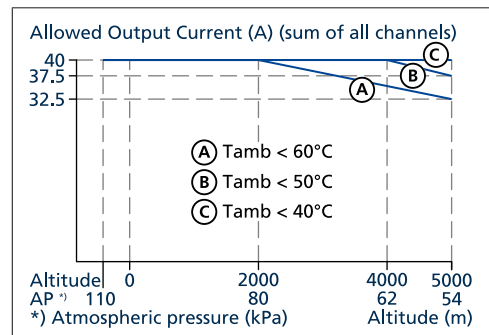




Fig. 18-2: Output current vs. altitude




19. Safety Features And Protection Features

Isolation resistance	>10MΩ	At delivered condition between power port and signals, measured with 500Vdc
	>10MΩ	At delivered condition between power port and housing, measured with 500Vdc
	>10MΩ	At delivered condition between signals and housing, measured with 500Vdc
Output over-voltage protection	max. 500Vac	Power port to signal port
	max. 500Vac	Power port / signal port to housing
Class of protection	III	A PE (Protective Earth) connection is not required
Degree of protection	IP20	According to EN/IEC 60529
Over-temperature protection	Not included	
Internal input fuse	Not included	
Internal output fuses	Not included	
Input over-voltage protection	max. 31.4Vdc	No harm or defect of the unit
Reverse input polarity protection	Not included	Make sure that the input voltage polarity is correct before applying the input voltage.
Touch current (leakage current)	The leakage current which is produced by the module itself depends on the input voltage ripple and need to be investigated in the final application. For a smooth DC input voltage, the produced leakage current is less than 100μA.	

20. Approvals And Fulfilled Standards

IEC 61010	CB Report Available	CB Scheme Certificate IEC 61010-2-201 - Electrical Equipment for Measurement, Control and Laboratory Use - Particular requirements for control equipment
IEC 62368 planned	CB Report Available	CB Scheme Certificate IEC 62368-1 - Audio/video, information and communication technology equipment - Safety requirements Output safety level: ES1
UL 61010		UL Certificate Listed equipment for category NMTR - UL 61010-2-201 - Electrical equipment for measurement, control and laboratory use - Particular requirements for control equipment Applicable for US and Canada E-File: E198865
UL 2367		UL Certificate Recognized component for category QVRQ - UL 2367 Standard for Solid State Overcurrent Protectors Applicable for US E-File: E342020
VDMA 24364	LABS VDMA 24364-C1-L/W	Paint Wetting Impairment Substances Test (or LABS-Test) Tested for Zone 2 and Test Class C1 according to VDMA 24364-C1-L/W for solvents and water-based paints

21. Regulatory Compliance

EU Declaration of Conformity		The CE mark indicates conformance with the European – EMC directive – RoHS directive
REACH Directive	REACH ✓	Manufacturer's Statement EU-Regulation regarding the Registration, Evaluation, Authorization and Restriction of Chemicals
WEEE Directive		Manufacturer's Statement EU-Regulation on Waste Electrical and Electronic Equipment Registered in Germany as business to business (B2B) products.
RoHS (China RoHS 2)		Manufacturer's Statement Administrative Measures for the Restriction of the Use of Hazardous Substances in Electrical and Electronic Products 25 years

22. Physical Dimensions And Weight

Width	52mm / 2.05"
Height	124mm / 4.88"
Depth	130mm / 5.12" The DIN rail height must be added to the unit depth to calculate the total required installation depth.
Weight	370g / 0.82lb
DIN rail	Use 35mm DIN rails according to EN 60715 or EN 50022 with a height of 7.5 or 15mm.
Housing material	Body: Aluminium alloy Cover: High-grade polycarbonate material
Installation clearances	See chapter 2.
Penetration protection	Small parts like screws, nuts, etc. with a diameter larger than 3.6mm
All dimensions in mm unless otherwise noted.	

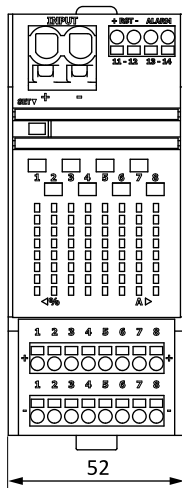


Fig. 22-1: Front view

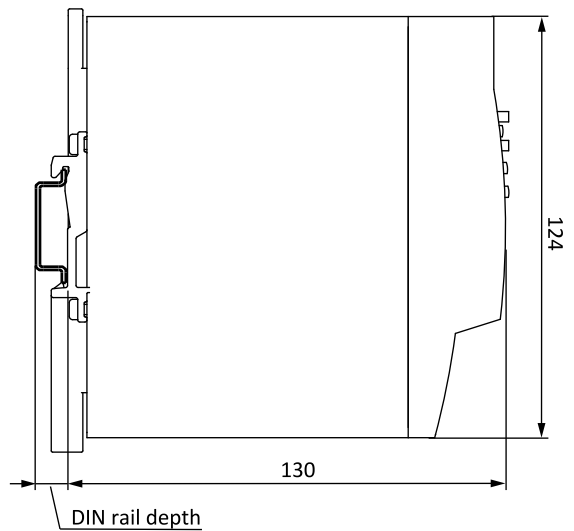


Fig. 22-2: Side view

23. Accessories

23.1. POWER CONNECTION - POWER-BUS-BARS

These power-bus-bars are used to connect several PISA-B modules electrically together. The power-bus-bars distribute the 24V supply voltage of the PISA-B modules.

The length of 102mm is suitable to connect two PISA-B modules together. The length of 155mm is suitable to connect three PISA-B modules together. If more than three modules need to be connected to another, appropriate pieces can be cut from the 500mm long rail.

The supply of the 24V is then only done by one fuse module, preferably in the middle, because the current is then better distributed in both directions and the permissible current of the power-bus-bars of 32A is not exceeded.

Fuse modules can be lined up on the DIN rail without spacing. The power-bus-bars can be plugged in from the front of the PISA-B modules and must have a length that all plug contacts of the modules make a contact.

Order number	BUS-BAR1-L102	BUS-BAR1-L155	BUS-BAR1-L500
Order number contains	2 pcs. (for + and - pole)	2 pcs. (for + and - pole)	1 pc.
Colour	Grey	Grey	Grey
Size (l x w x h)	102 x 3.3 x 11.4mm (4.02 x 0.13 x 0.45")	155 x 3.3 x 11.4mm (6.1 x 0.13 x 0.45")	500 x 3.3 x 11.4mm (19.7 x 0.13 x 0.45")
Weight	9g (0.02lb) per pc.	13g (0.03lb) per pc.	43g (0.1lb)
Suitable for	2x PISA-B modules	3x PISA-B modules	Up to 8x PISA-B modules (2 pcs. needed)
Max. current	32A	32A	32A

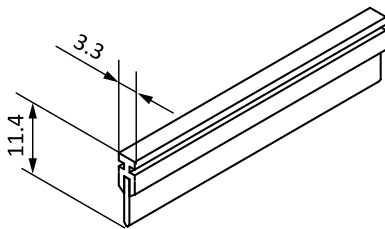


Fig. 23-1: Mechanical dimensions

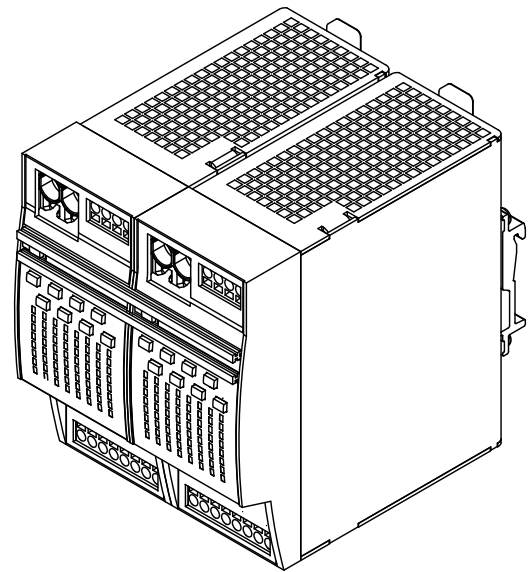


Fig. 23-2: Mounting example