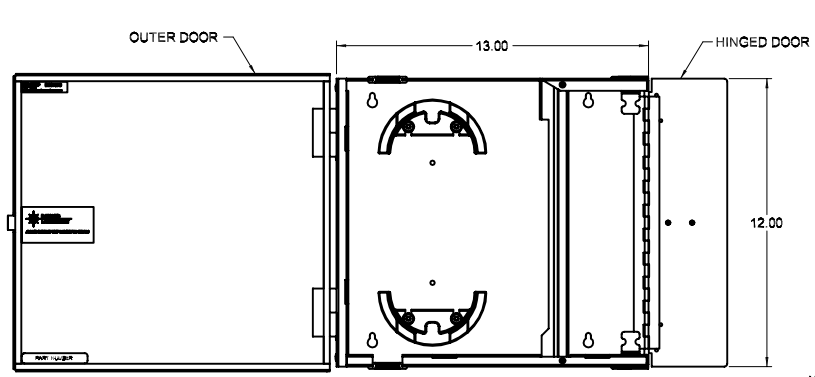
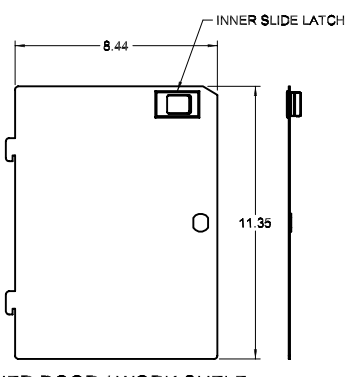


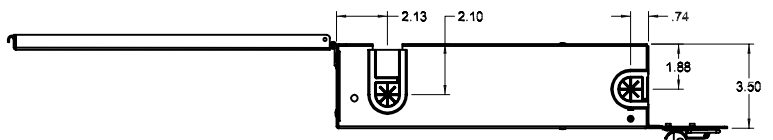
REVISION HISTORY				
REV	BY	DESCRIPTION	DATE	CHECKED
A	ALL	RELEASE NEW	9/8/06	NEW JY
B	-	CHGD TO NEW PUP SPLICE TRAY, MNTG BRKT WITH STUDS/NUTS	1/28/08	- RBS
C	-	CHGD ARRANGEMENT OF 1/4 FIBER HOOPS (4 PLACES)	2/13/08	- RBS



FRONT VIEW



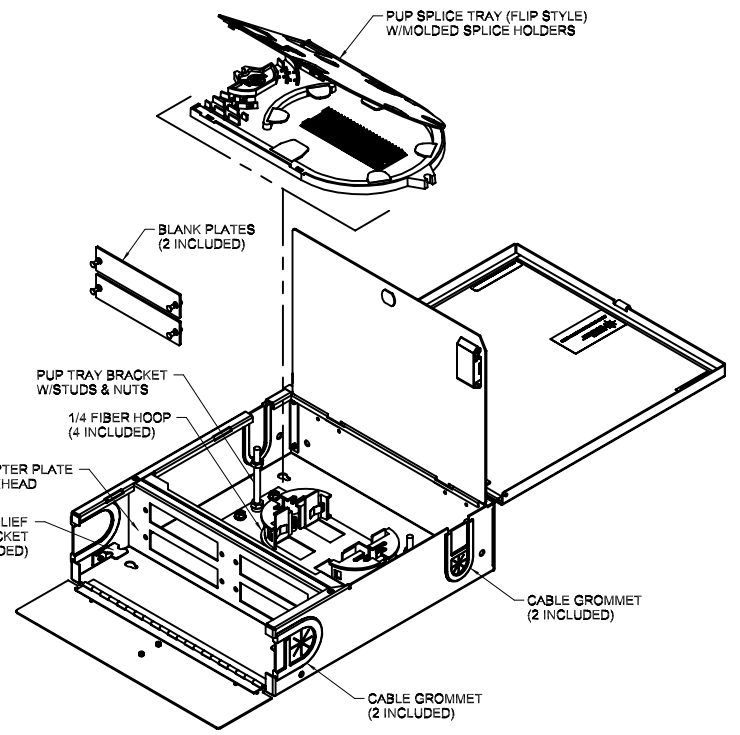
INNER DOOR / WORK SHELF



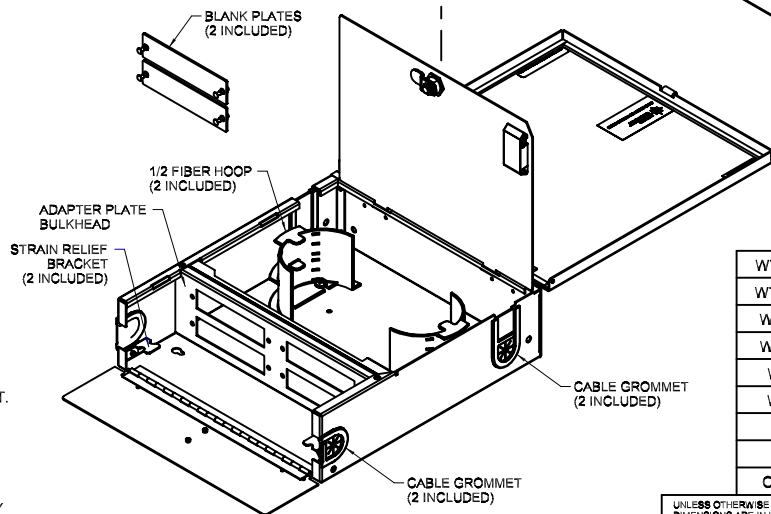
BOTTOM VIEW



LOCKING OPTION



WTC12/24A-PT (SHOWN)



WTC12/24AL (SHOWN)

SPECIFICATIONS

FEATURES & BENEFITS:

- OPTICAL CABLE CORPORATIONS, FIBEROPTICX (WTC SERIES) WALL MOUNT FIBER OPTIC CROSS CONNECT CABINETS PROVIDE FIBER MANAGEMENT, CONNECTIVITY AND DISTRIBUTION FOR 6 TO 288 FIBERS. ACCOMMODATES ALL CROSS CONNECT FUNCTIONS (SPLICING, TERMINATION, AND INTERCONNECTION) FOR OUTSIDE PLANT, BACKBONE, AND BUILDING CABLES.
- ACCOMMODATES SNAP-IN ADAPTER PLATES. WTC CABINET PORT COUNT IS BASED ON 6 PORT ADAPTER PLATES. (EXAMPLE: WTC12/24A ACCOMMODATES FOUR 6 PORT ADAPTER PLATES.) HIGHER DENSITY ACHIEVED WITH 8 OR 12 PACK ADAPTER PLATES. (EXAMPLE: WTC72A CAN ACCEPT 96 PORTS UTILIZING 8 PACK ADAPTER PLATES.)
- WTC CABINETS CAN BE ORDERED EMPTY, LOADED, OR CUSTOM-CONFIGURED TO YOUR PARTICULAR SPECIFICATIONS.
- WTC CABINETS PROVIDE PATCH & SPLICE CAPABILITIES. INNOVATIVE FIBER MANAGEMENT SYSTEM USES TWO TIER FIBER STORAGE HOOPS DESIGNED TO MAINTAIN ORDERLY FIBER MANAGEMENT. INTEGRAL STRAIN RELIEF BARS AND PLASTIC GROMMETS PROVIDE RELIABLE CABLE PROTECTION AT ALL CABLE ENTRANCES AND EXITS.
- RUGGED 16-GAUGE STEEL CONSTRUCTION WITH A DURABLE POWDER COAT FINISH. CABINET COLOR: A = ALMOND, B = BLACK.
- HINGED OUTER DOORS PROVIDE LOCKABLE LATCH EXTERIOR WITH EASY FRONT AND INNER ACCESS. (LOCKING OPTION AVAILABLE)
- REMOVABLE INNER DOOR/WORK SHELF USED AS A WORK PLATFORM DURING INSTALLATION AND MAINTENANCE.
- ALL PLASTIC COMPONENTS ARE HIGH IMPACT SELF-EXTINGUISHING, UL LISTED RATING 94V-0.
- WTC SERIES DESIGNED TO MEET NEMA 12.

WTC12/24BL-PT	ASSY, CABINET, WALLMOUNT, 12/24 PORT, W/LCK, BLACK, PUP TRAY
WTC12/24AL-PT	ASSY, CABINET, WALLMOUNT, 12/24 PORT, W/LCK, ALMOND, PUP TRAY
WTC12/24B-PT	ASSY, CABINET, WALLMOUNT, 12/24 PORT, BLACK, PUP TRAY
WTC12/24A-PT	ASSY, CABINET, WALLMOUNT, 12/24 PORT, ALMOND, PUP TRAY
WTC12/24BL	ASSY, CABINET, WALLMOUNT, 12/24 PORT, W/LCK, BLACK
WTC12/24AL	ASSY, CABINET, WALLMOUNT, 12/24 PORT, W/LCK, ALMOND
WTC12/24B	ASSY, CABINET, WALLMOUNT, 12/24 PORT, BLACK
WTC12/24A	ASSY, CABINET, WALLMOUNT, 12/24 PORT, ALMOND

OCCT PART NO.	DESCRIPTION
UNLESS OTHERWISE SPECIFIED DIMENSIONS ARE IN INCHES TOLERANCES: FRACTIONS ±1/32" ANGLES ±1/2° 3 PLACE DECIMALS = 0.001" 2 PLACE DECIMALS = .01"	THIS DRAWING AND THE DESIGN SHOWN ARE THE PROPERTY OF OPTICAL CABLE CORPORATION AND MAY NOT BE USED AS THE BASIS FOR MANUFACTURE OR SALE WITHOUT SPECIFIC WRITTEN PERMISSION OF OPTICAL CABLE CORPORATION. DRAWN: D.A. HOLBERT DATE: 9/8/06 CHECKED: J. YANIK DATE: 9/8/06 ENGINEER: J. MALTAIS DATE: 9/8/06 APPROVED: R.B. SMITH DATE: 2/13/08 PREVIOUS DWG: _____ NEXT DWG: _____
MATERIAL: SEE BILL OF MATERIAL FINISH: SEE NOTES	5280 Concourse Drive Roanoke, VA 24019 Phone: 800-622-7711 Fax: 540-265-0724 www.occfiber.com
THIRD ANGLE PROJECTION CRITICAL DIMENSION CODE: (F) = FUNCTION (M) = MATING (A) = AUDIT	DWG TITLE: ASSEMBLY, CABINET, WALLMOUNT, 12/24, SMP SIZE: C DWG NO.: C107638 SCALE: NONE SHEET: 1 OF 1

UNCONTROLLED COPY