

C.F.F. SS · SERIES 316 STAINLESS STEEL VALVES

BALL VALVES

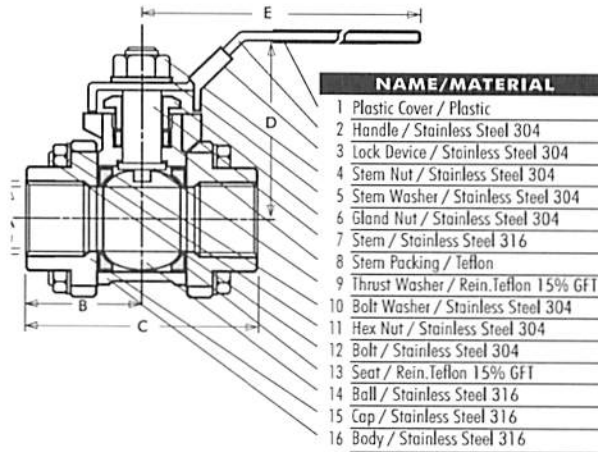
SS-3

BALL



- Three Piece Body
- Full Port
- Screwed or Socket-Weld Ends
- Blowout Proof Stem
- Adjustable Packing Nut
- Locking Lever Handle
- Floating Ball
- 1000 P.S.I. W.O.G.
- Threads to ANSI B1.20.1 (NPT)
- Size Range 1/4" to 4"
- Repair Kits in Stock.

Manufactured in accordance with
ISO 9002 quality standards.

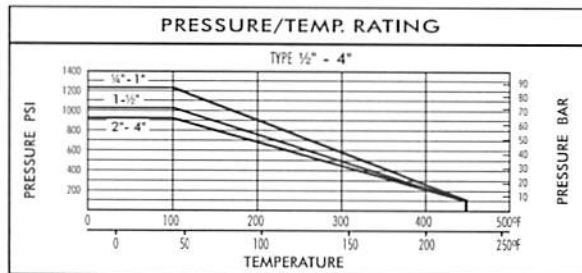


SS · 3 BALL VALVE

BALL VALVES

DIMENSIONS							
	Nominal Size	(mm/in) A	(mm/in) B	(mm/in) C	(mm/in) D	(mm/in) E	(mm/in) F
8	¼	11.6	32.5	65	48	110	¼NPT:PT
		0.457	1.280	2.559	1.890	433.1	
10	⅜	12.7	32.5	65	48	110	⅜NPT:PT
		0.50	1.280	2.559	1.890	433.1	
15	½	15	35	70	54	130	½NPT:PT
		0.591	1.378	2.756	2.165	5.118	
20	¾	20	42.5	85	59	130	¾NPT:PT
		0.787	1.673	3.346	2.362	5.118	
25	1	25.4	47.5	95	75	155	1NPT:PT
		1.00	1.870	3.740	2.953	6.102	
32	1¼	32	55	110	80	155	1¼NPT:PT
		1.260	2.165	4.331	3.150	6.102	
40	1½	38.1	65	130	85	185	1½NPT:PT
		1.50	2.559	5.118	3.346	7.283	
50	2	50.8	75	150	95	195	2NPT:PT
		2.00	2.953	5.906	3.740	7.283	
65	2½	65	93	186	133	250	2½NPT:PT
		2.561	3.661	7.323	5.236	9.843	
80	3	80	106	212	143	250	3NPT:PT
		3.152	4.173	8.346	5.630	9.843	

Design and materials are subject to change without notice.



FLOW COEFFICIENT CV										
Size (in.)	¼	⅜	½	¾	1	1¼	1½	2	2½	3
Cv	6	7	10	25	35	46	80	110	310	360
Operating Torques (lbs.)	36	36	43	65	101	158	187	230	430	1380



Visit us on-line at:
www.cffstainless.com