

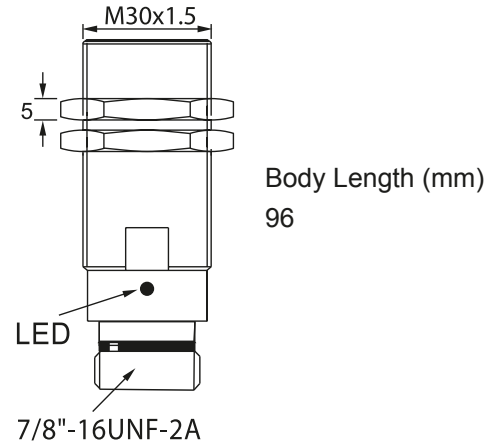
FCS1-3010A-BZL3

Inductive Metal Face Proximity Sensor



Note: The product images shown may change over time as products are updated.

Dimensions



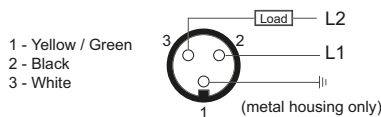
Part Number

FCS1-3010A-BZL3

Features

Inductive Proximity Sensors are used in a wide variety of manufacturing operations where a metal target needs to be sensed. HTM Sensors inductive proximity sensors have a Lifetime Warranty, a CSA or UL approval, and a huge inventory for same-day shipping. For tougher applications where the sensors need more range to stay out of harm's way, or to withstand high temperatures, weld spatter, chemical exposure, oil or other rough environments, HTM Sensors has the widest range of proximity sensors on the market.

Connection



Technical Data

| | |
|----------------------------|--|
| Body Style | Cylindrical |
| Sensor Housing Material | Stainless Steel SUS303 |
| Sensor Face Material | 1-Piece Stainless Steel |
| Mounting Style | Shielded |
| Diameter | 30 mm Threaded |
| Sensing Range: | 10 mm Range |
| Output Type: | AC Output |
| Output Function | Normally Closed Output |
| Connection | 3-Pin Connector |
| Connector Type | Mini Quick-Connect |
| Operating Voltage | 20-250 VAC |
| Switching Frequency | <25 Hz |
| Operating Temperature | -25 °C – +70 °C |
| Current Consumption | <1.8 mA |
| IP Rating: | IP68 |
| EMC Rating | RFI>3V/m / EFT>1kV / ESD>4Kv (contact) |
| Shock Rating: | IEC 60497-5-2 Part 7.4.1&7.4.2 |
| Short Circuit Protected | NO |
| Reverse Polarity Protected | NO |
| Max Current | 400 mA |
| Leakage Current | <1.8 mA |
| Surge Current | 5 A (20 ms) |
| Response Time | 10 ms/10 ms |
| Hysteresis | <15%(Sr) |
| Overload Trip Point | - |
| Weld Field Immune | No |
| Weld Spatter Resistant | No |
| Body Length (mm) | 96 |



In the USA: 1889 Maryland Ave., Niagara Falls, NY 14305
 In Canada: 3419 Mainway, Burlington, ON L7M 1A9
 Toll Free: 1-800-644-1756 • Fax: 888-283-2127
 service@htmsensors.com

htmsensors.com