



Note: The product images shown may change over time as products are updated.

Part Number

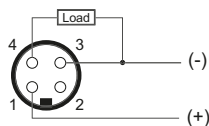
ECS1-1808P-ARU4-PTFE-120C-WFI-TC4

Features

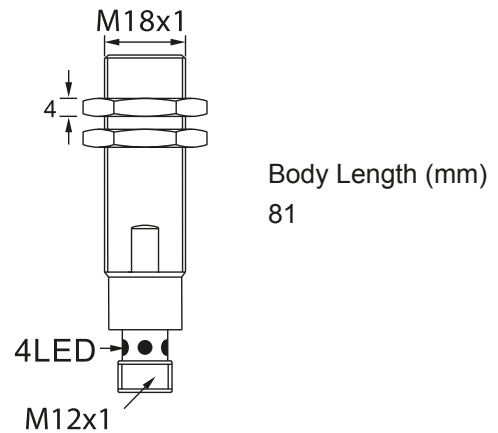
Inductive Proximity Sensors are used in a wide variety of manufacturing operations where a metal target needs to be sensed. HTM Sensors inductive proximity sensors have a Lifetime Warranty, a CSA or UL approval, and a huge inventory for same-day shipping. For tougher applications where the sensors need more range to stay out of harm's way, or to withstand high temperatures, weld spatter, chemical exposure, oil or other rough environments, HTM Sensors has the widest range of proximity sensors on the market.

Connection

- 1 - Brown
- 2 - Not Used
- 3 - Blue
- 4 - Black



Dimensions



Technical Data

Body Style	Cylindrical
Sensor Housing Material	1-Piece Titanium
Sensor Face Material	Titanium
Mounting Style	Shielded
Diameter	18 mm Threaded
Sensing Range:	8 mm Range
Output Type:	DC 3-Wire, PNP Output
Output Function	Normally Open Output
Connection	4-Pin Connector
Connector Type	M12x1 Quick-Connect
Operating Voltage	10-30 VDC
Switching Frequency	≤5 Hz
Operating Temperature	-25 °C - +120 °C
Current Consumption	<10 mA
IP Rating:	IP67
EMC Rating	RFI>3V/m / EFT>1kV / ESD>4Kv (contact)
Shock Rating:	IEC 60497-5-2 Part 7.4.1&7.4.2
Short Circuit Protected	Yes
Reverse Polarity Protected	Yes
Response Time	0.1 ms/0.1 ms
Hysteresis	<15%(Sr)
Overload Trip Point	220 mA
Weld Field Immune	Yes
Weld Spatter Resistant	Yes - Black SpatterGuard™
Body Length (mm)	81