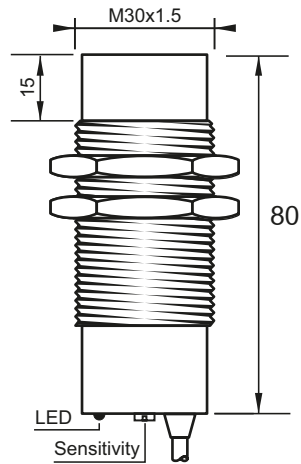




Note: The product images shown may change over time as products are updated.

Dimensions



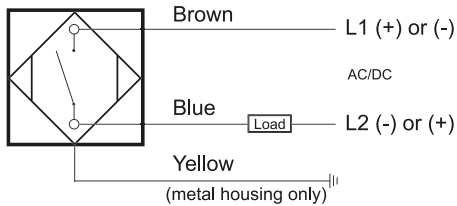
Part Number

CCP2-3020U-A2L2

Features

- Capacitive sensors for the reliable detection of liquids, plastics, powders, pellets and pastes
- Available in plastic or stainless steel housings
- Connectable with a pre-wired cable of any length or with a quick-connector
- Available with PNP, NPN, AC or AC/DC output functions
- Mountable with a shielded or unshielded construction with adjustable sensitivity

Connection



Technical Data

| | |
|----------------------------|---|
| Sensing Type | Capacitive Sensor |
| Body Style | Cylindrical |
| Sensor Housing Material | PBT |
| Sensor Face Material | PBT |
| Mounting Style | Non-Shielded |
| Diameter | 30 mm |
| Sensing Range: | 2-20 mm |
| Output Type: | AC-DC |
| Output Function | Normally Open |
| Connection | Pre-Wired Cable |
| Body Length | 80 |
| Operating Voltage | 20-250 VAC/DC |
| Switching Frequency | 25 Hz AC; 40 Hz DC |
| Operating Temperature | -25 °C - +70 °C |
| Overload Trip Point | — |
| Hysteresis: | <15% (Sr) |
| IP Rating: | IP67 |
| Shock Rating: | IEC 60947-5-2, Part 7.4.1/IEC 60947-5-2, Part 7.4.2 |
| Short Circuit Protected | NO |
| Reverse Polarity Protected | NO |
| Connector Type | N_A |
| Current Consumption | <2.5 mA |



In the USA: 1889 Maryland Ave., Niagara Falls, NY 14305
 In Canada: 3419 Mainway, Burlington, ON L7M 1A9
 Toll Free: 1-800-644-1756 • Fax: 888-283-2127
 service@htmsensors.com