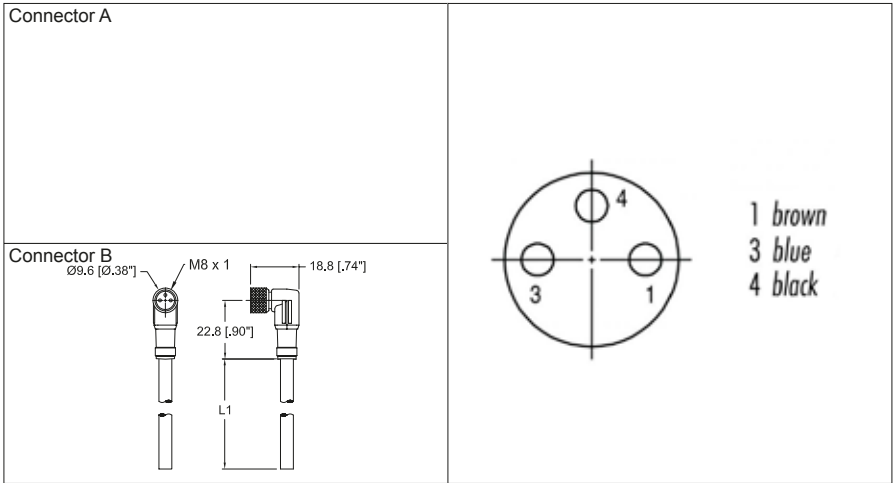




Note: The product images shown may change over time as products are updated.

**Dimensions**

**Connection**



**Part Number**

**C-FA3TZ-V885**

**Features**

**HTM Sensors stocks thousands of sensor cables for convenient same-day-shipping. Standard M8 and M12 cables have the best prices in the industry and are always available and in stock for customer requirements.**

**New advances in sensor cables allow for extended durability and longevity in the harshest environments.**

**Technical Data**

Cable Type	Single Ended Cable
Connector A	
Connector B	M8 A-Coded Female Angled
Length (m)	5 m
Locking System	Screw Lock
Rated Current	4A
Rated Voltage	30 V AC / DC
Wire Gauge	22 AWG
Stranding	0.1x32
Contact Carrier	TPU
Molded Body	TPU
Contact Material	CuSn
Contact Plating	Au
Jacket Type	PVC
Coupling Nut	CuZn
Protection Class	IP 67
Temperature Range	-30 C - +80 C



In the USA: 1889 Maryland Ave., Niagara Falls, NY 14305  
 In Canada: 3419 Mainway, Burlington, ON L7M 1A9  
 Toll Free: 1-800-644-1756 • Fax: 888-283-2127  
 service@htmsensors.com