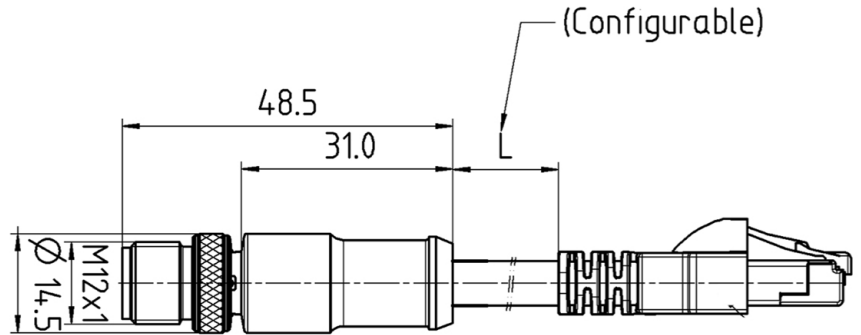




Note: The product images shown may change over time as products are updated.

Diagram



Part Number

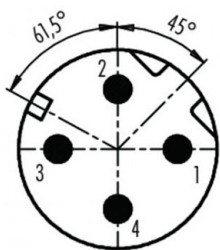
DS-MS4TZ-T970.6 + RJM45

Features

HTM Sensors stocks thousands of sensor cables for convenient same-day-shipping. Standard M8 and M12 cables have the best prices in the industry and are always available and in stock for customer requirements.

New advances in sensor cables allow for extended durability and longevity in the harshest environments.

Wiring



- 1 white/orange
- 2 white/green
- 3 orange
- 4 green

Technical Data

| | |
|-------------------|-----------------------------|
| Connector Type | M12 D-Coded |
| Cable Type | Double Ended |
| Connector A | RJ45 Male Straight |
| Connector B | M12 Male Straight |
| Length | 0.6 m |
| Locking System | Screw |
| Rated Current | 4A |
| Rated Voltage | 50 V |
| Wire Gauge | 2x2x24AWG |
| Shielded | Yes to coupling nut |
| Contact Carrier | PUR |
| Molded Body | PUR |
| Contact Material | CuZn |
| Contact Plating | Au |
| Jacket Type | TPE |
| Coupling Nut | Zinc Die-cast Nickel-Plated |
| Protection Class | IP67 |
| Temperature Range | -40 °C to +80 °C |



In the USA: 1889 Maryland Ave., Niagara Falls, NY 14305
 In Canada: 3419 Mainway, Burlington, ON L7M 1A9
 Toll Free: 1-800-644-1756 • Fax: 888-283-2127
 service@htmsensors.com