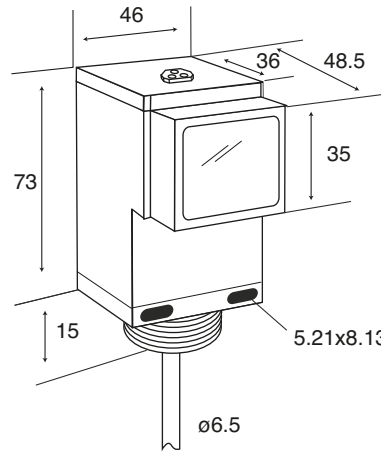




Note: The product images shown may change over time as products are updated.

Diagram



Part Number

RP74-T152MR-CY9C5L2

Features

Photoelectric sensors are used in virtually any manufacturing process with moving parts to detect products, machine parts, and a wide variety of moving objects.

For additional information, contact HTM Sensors at 800-644-1756 or service@htmsensors.com

Connection



Technical Data

| | |
|-------------------------------|---|
| Sensing Range | 152 m |
| Field of View | 15° |
| Light Source | Infrared LED 880 nm |
| Indicator LEDs | Power: Yellow Output: Green Margin: Red |
| Output Type | SPDT Electromechanical Relay |
| Supply Voltage | 20-240VAC/12-240VDC |
| Response Time | 23 ms |
| Max. Load Current | 10 A at 120VAC, 5 A at 240VAC |
| No Load Current | <30 mA |
| Max. Leakage Current | N/A |
| Operation Mode | Light On or Dark on Selectable via Switch |
| Housing Material | Glass Fiber Reinforced Plastic |
| Lens Material | Acrylic |
| Cover Gasket Material | Neoprene |
| IP Rating | IP67 |
| Time Options | N/A |
| Ambient Operating Temperature | -25 °C to +55 °C |
| Storage Temperature | -40 °C to +70 °C |
| Relative Humidity | 5%-95% |
| EMC Rating | IEC 60947-5-2, Parts 7.2.6.1.2.3 or RFI>3V/m(in30-1000MHZ), ETF>1KV, ESD>4KV(contact) |
| Vibration Resistance | IEC 60947-5-2, Part 7.4.2 (10-55HZ, 1mm amplitude in x,y and z directions for 30 min) |
| Shock Resistance | IEC-60947-5-2 Part 7.4.1 (30g, 11ms in x, y, and z directions for six times) |
| Cable or Connector | 2 m 6.1 mm dia PVC jacket 5 core x 0.5 mm≤ |



In the USA: 1889 Maryland Ave., Niagara Falls, NY 14305
 In Canada: 3419 Mainway, Burlington, ON L7M 1A9
 Toll Free: 1-800-644-1756 • Fax: 888-283-2127
service@htmsensors.com