

# H30-RET-8000P-M8-4QD

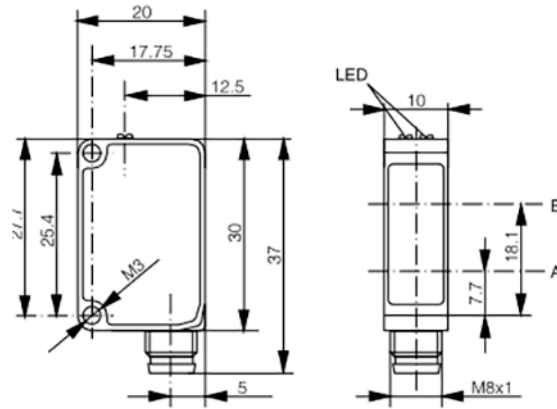
# H30 Photoelectric Sensor

Retroreflective



Note: The product images shown may change over time as products are updated.

## Diagram



A: emitter axis B: receiver axis

## Part Number

**H30-RET-8000P-M8-4QD**

## Features

Photoelectric sensors are used in virtually any manufacturing process with moving parts to detect products, machine parts, and a wide variety of moving objects.

For additional information, contact HTM Sensors at 800-644-1756 or [service@htmsensors.com](mailto:service@htmsensors.com)

## Connection



M8

## Technical Data

|                             |                                       |
|-----------------------------|---------------------------------------|
| Sensing Range               | 8 m (*see Note 2)                     |
| Light Source                | Red LED 630 nm                        |
| Light Spot Size             | ∅ 30 mm @ 1 m / ∅ 140 mm @ 6m         |
| Indicator LEDs              | Output:Yellow Excess Gain: Green      |
| IO-Link (*see Note 4)       | Yes                                   |
| Supply Voltage              | 10-30 V DC                            |
| Max. Load Current           | <= 100 mA                             |
| No Load Current             | <=15 mA                               |
| Short Circuit Protection    | Yes                                   |
| Reverse Polarity Protection | Yes                                   |
| Output Type                 | PNP Complementary                     |
| Operation Mode              | Light On or Dark on Selectable wiring |
| Response Time               | <= 340us(normal)/<=1ms /<= 100us      |
| Sensitivity Adjustment      | -                                     |
| Housing Material            | ABS                                   |
| Lens Material               | PMMA                                  |
| IP Rating                   | IP67                                  |
| Time Options                | Selectable via IO-Link                |
| Ambient Operating Temp      | -25 C to + 65 C                       |
| Vibration Resistance        | IEC 60947-5-5                         |
| Shock Resistance            | IEC 60947-5-5                         |
| Cable or Connector          | 4-Pin M8 Male QD                      |

Note 1: By default, "Normal" mode. "Fine" and "Fast" modes selectable via IO-Link

Note 2: when used with RE-D82

Note 3: Object with 90% reflectance(standard white paper)

Note 4:

IO-Link Verion - V1.0

SIO mode - Supported

Process Data - Detection state & stability alarm

Baudrate - COM2(38.4 kBaud)

Special Functions - Ouput Configuration, Output Timing, Sensor Mode, Detection Counter, Event Flags, Maximum and Actual Sensor Temperature



ECOLAB



In the USA: 1889 Maryland Ave., Niagara Falls, NY 14305  
 In Canada: 3419 Mainway, Burlington, ON L7M 1A9  
 Toll Free: 1-800-644-1756 • Fax: 888-283-2127  
[service@htmsensors.com](mailto:service@htmsensors.com)

[htmsensors.com](http://htmsensors.com)