

SIGNAL TOWER LIGHTS  
50 MM DIAMETER

**HTM**<sup>TM</sup>  
SENSORS

**HLT50**



- UNIFORM LIGHT, NO GLARE, ELIMINATE FALSE INDICATION
- COMPACT, MULTI COLORS AVAILABLE
- SPECIALLY DESIGNED BUZZER WITH ADJUSTABLE AUDIO

[HTMSENSORS.COM](http://HTMSENSORS.COM)

# SIGNAL TOWER LIGHTS 50 MM DIAMETER SPECIFICATIONS

## Specification

**HLT50 (no buzzer)**

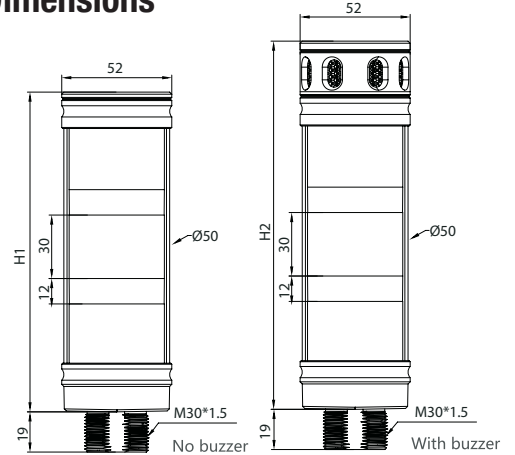


**HLT50 (buzzer)**



Diameter (mm)	50	
Available Colors	Red/Yellow/Green/Blue/White	
Buzzer	-	70db - 90db @ 2.7Khz
Operating Voltage	24 VDC +/- 10%	
Current Draw	Per Color	40 mA max
	Buzzer	25 mA
Input Type	Bi-polar	
Response Time	On/Off 10mS	
Connection	2 m cable or M12 A-coded quick connect	
Operating Temperature	Without Buzzer -40 °C to +50 °C With Buzzer -20 °C to +50 °C	
IP Rating	IP65	IP53
Housing Material	ABS	
Lense Material	Polycarbonate	
IO-Link	Please consult factory	

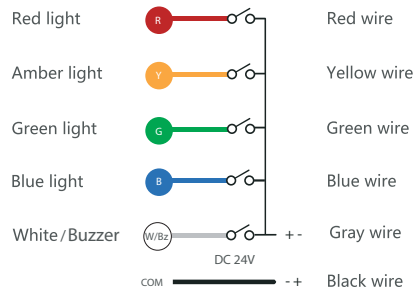
## Dimensions



Stack	Tower light Height H	
	No buzzer H1	W/Buzzer H2
2	110mm	133mm
3	152mm	175mm
4	194mm	217mm
5	236mm	—

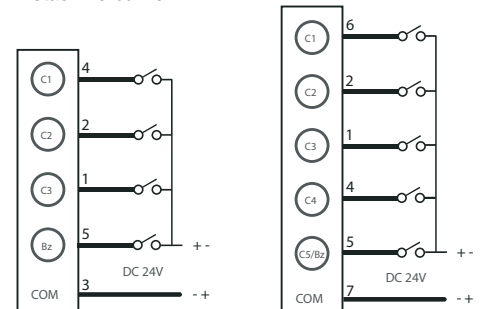
## Wiring Diagram

### For wire ends

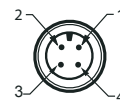


### For M12 QD

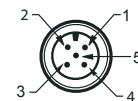
\* From top to base C1 C2 C3 C4 C5 Bz is buzzer  
 3 stack no buzzer      4 Stack with buzzer  
 3 stack with buzzer      5 Stack no buzzer  
 4 stack no buzzer



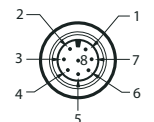
3 stack no buzzer



3 stack with buzzer  
4 stack no buzzer



4 stack with buzzer  
5 stack no buzzer



M12 QD Male



In Canada: 3419 Mainway, Burlington, ON L7M 1A9  
 In the USA: 1889 Maryland Ave., Niagara Falls, NY 14304  
 Toll Free: 1-800-644-1756  
 service@htmsensors.com