

SIGNAL COLUMN LIGHTS
50 MM DIAMETER

HTMTM
SENSORS

HLC50



- MULTIPLE COLORS AVAILABLE, EASY INSTALLATION
- UNIFORM LIGHT, NO GLARE
- COST EFFECTIVE

HTMSENSORS.COM

SIGNAL COLUMN LIGHTS 50 MM DIAMETER SPECIFICATIONS

HLC50 (no buzzer)

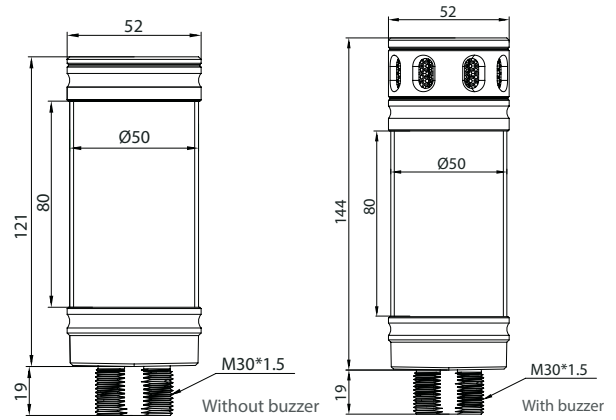
HLC50 (buzzer)



Specification

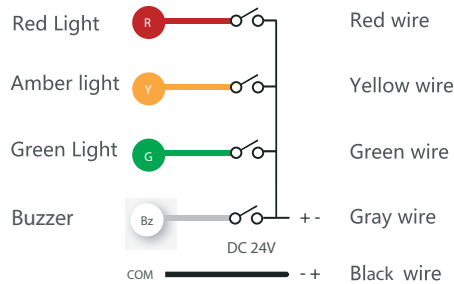
Diameter (mm)	50	
Available Colors	Red/Yellow/Green	
Buzzer	-	70db - 90db @ 2.7Khz
Operating Voltage	24 VDC +/- 10%	
Current Draw	Per Color	80 mA max
	Buzzer	25 mA max
Input Type	Bi-polar	
Response Time	On/Off 10mS	
Connection	2 m cable or M12 A-coded quick connect	
Operating Temperature	Without Buzzer -40 °C to +50 °C With Buzzer -20 °C to +50 °C	
IP Rating	IP65	IP53
Housing Material	ABS	
Lense Material	Polycarbonate	
IO-Link	Please consult factory	

Dimensions



Wiring Diagram

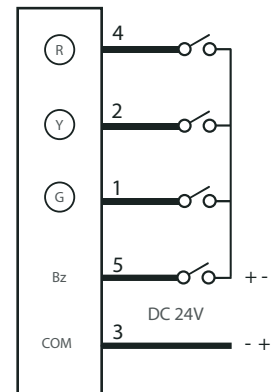
For wire ends



For M12 QD

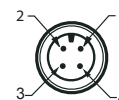
Bz is buzzer

RYG

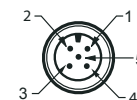


In Canada: 3419 Mainway, Burlington, ON L7M 1A9
 In the USA: 1889 Maryland Ave., Niagara Falls, NY 14304
 Toll Free: 1-800-644-1756
 service@htmsensors.com

Without buzzer



With buzzer



M12 QD Male