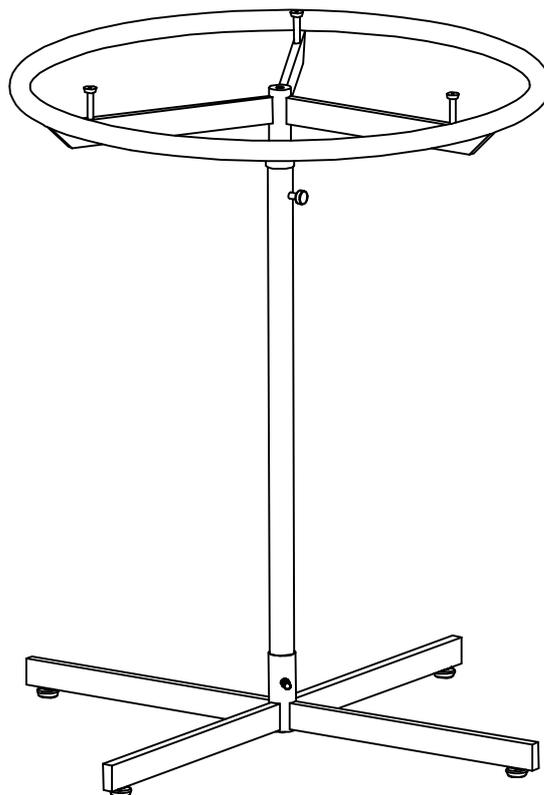


ASSEMBLY INSTRUCTIONS

ROUND RACK ON GLIDES SMALL

R1105CH CHROME



SHOP for **SHOPS™** 
storeworks™

Telephone 03 9417 3592 Facsimile 03 9419 3476

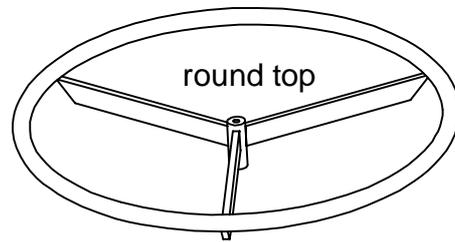
Email sales@shopforshops.com

Website www.shopforshops.com

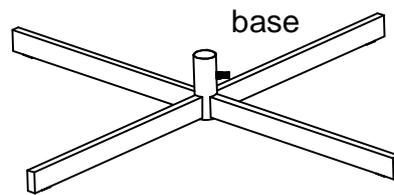
PARTS LIST

ROUND RACK ON GLIDES SMALL

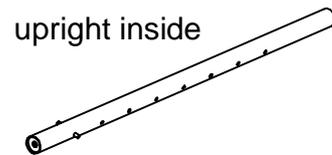
1 X round top



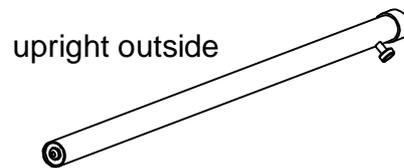
1 X base



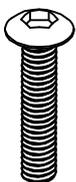
1 X upright inside



1 X upright outside



A.



B.



C.



A. 1 X M10 x 30 screws

B. 3 X adjustable fitting pins

C. 1 X spring washer

D. 1 X flat washer

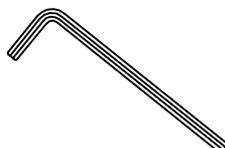
D.



E.



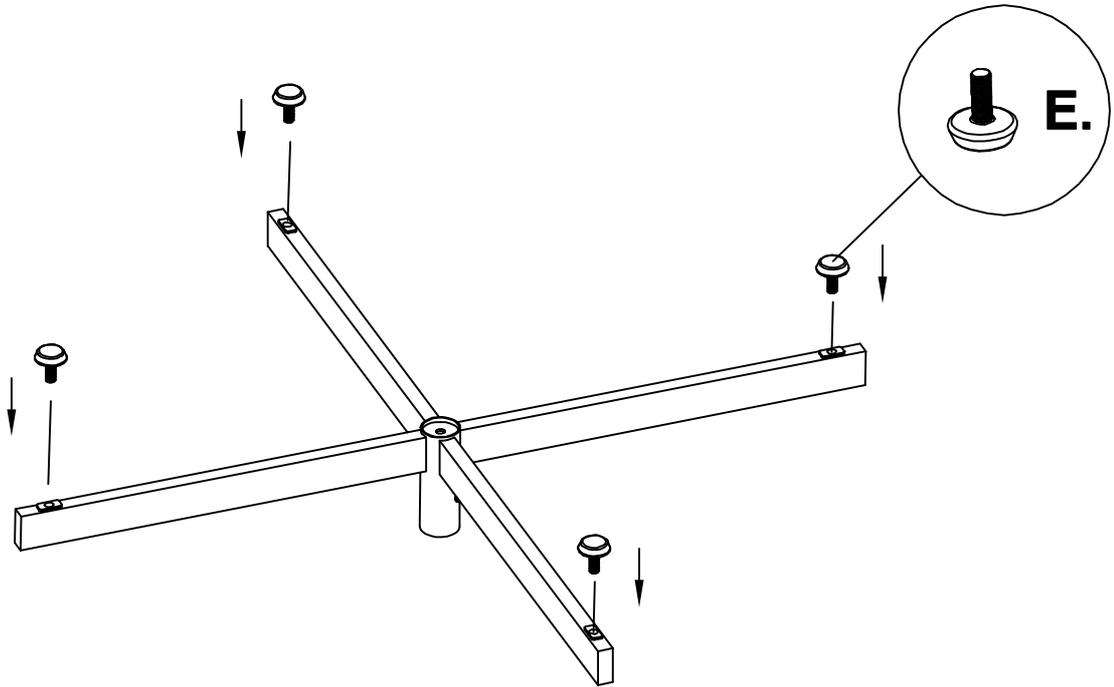
F.



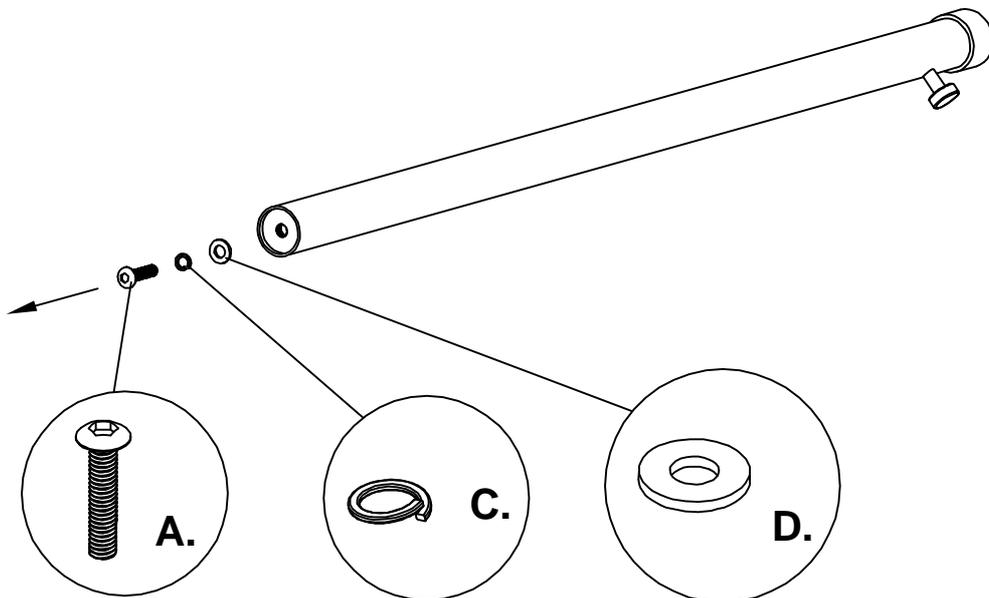
E. 3 X 3/8"-16TPI glides

F. 1 X allen key

1 Install 4 X glides onto the base.

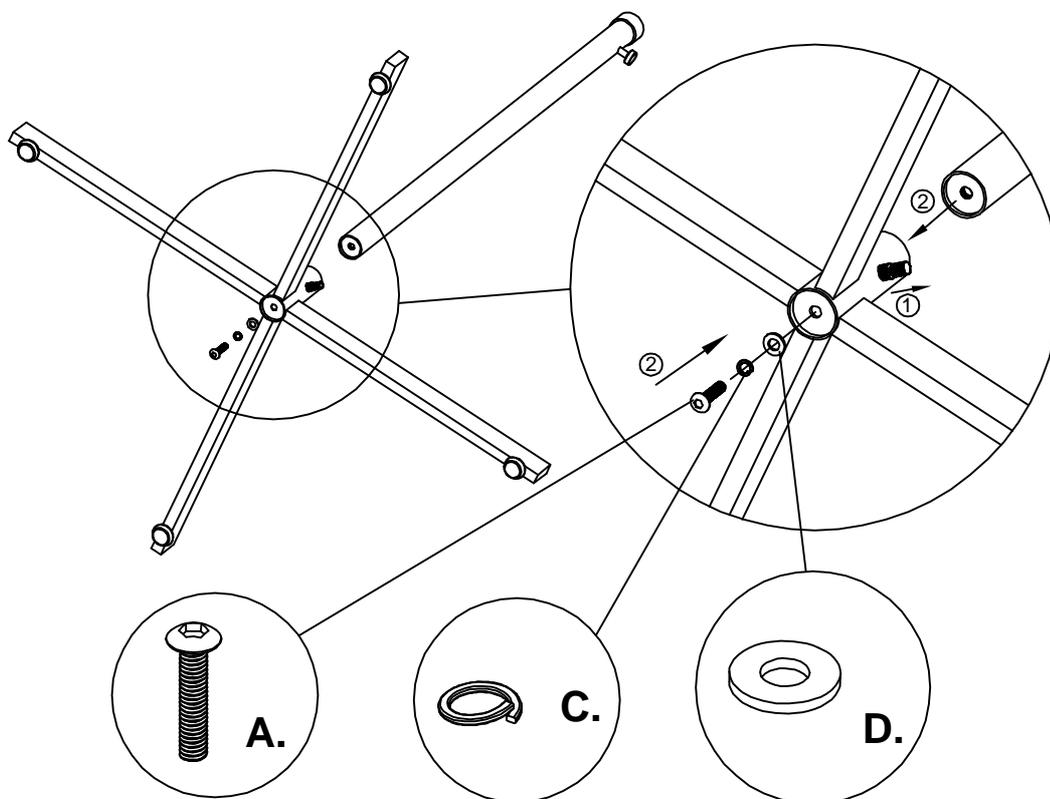


2 Screw out the screw, spring washer and flat washer from the upright outside.



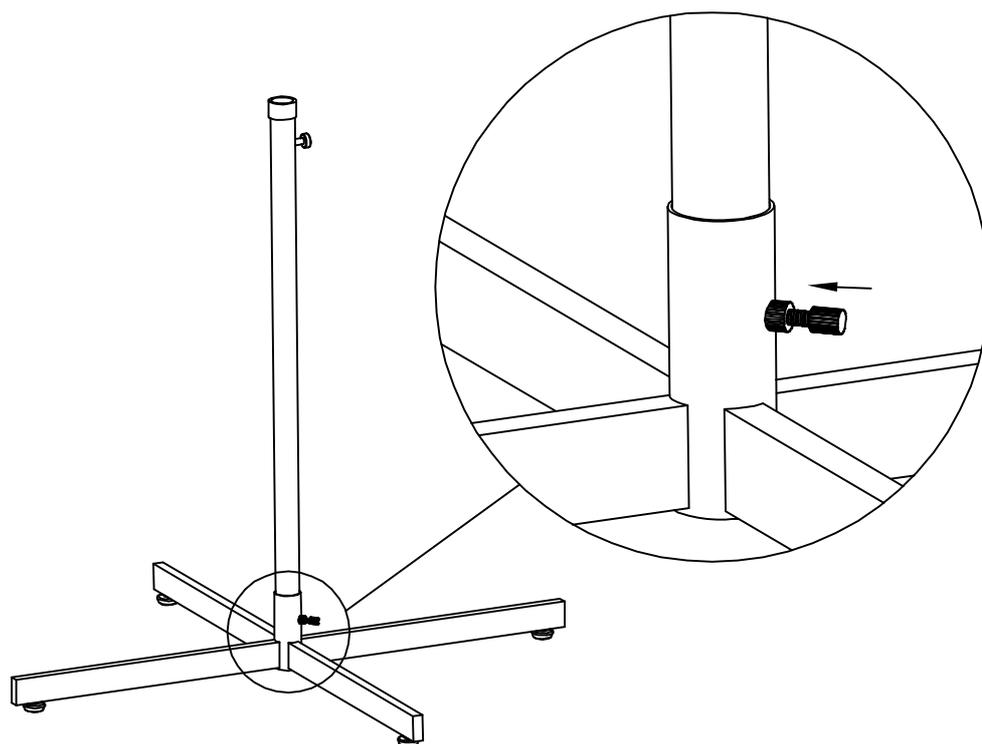
3

Screw out the screw as short as needed----- ①
Install upright outside into the base using the screw----- ②



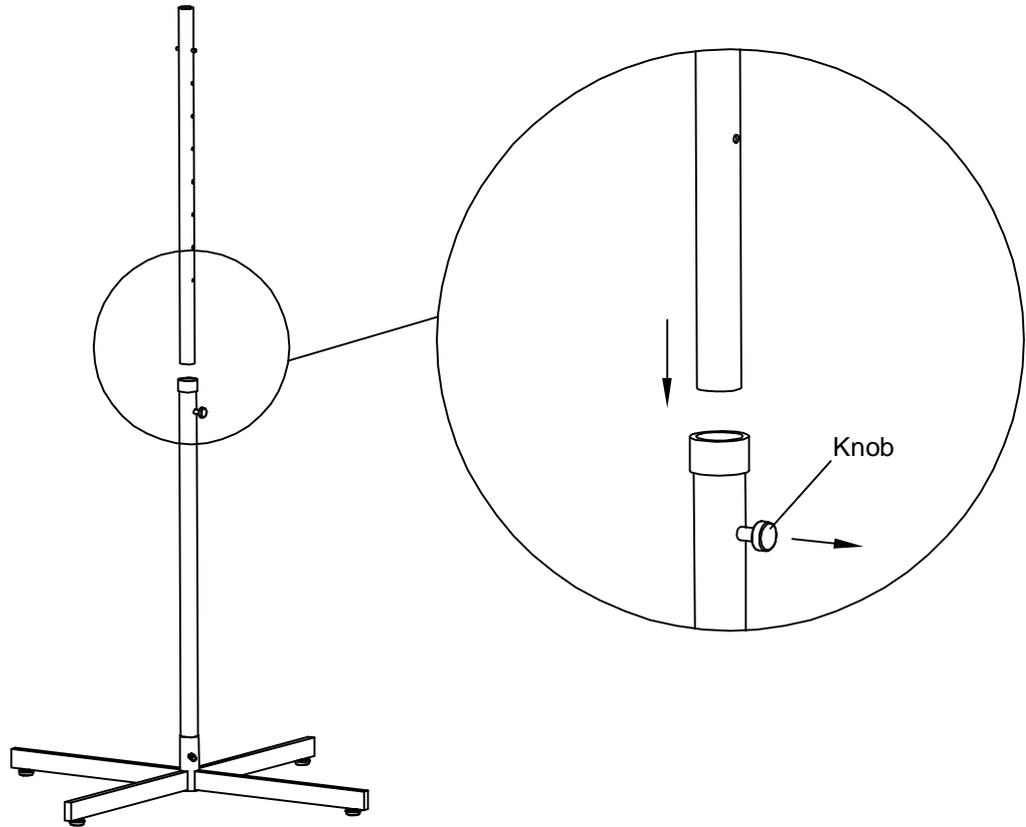
4

Lock the screw of base.



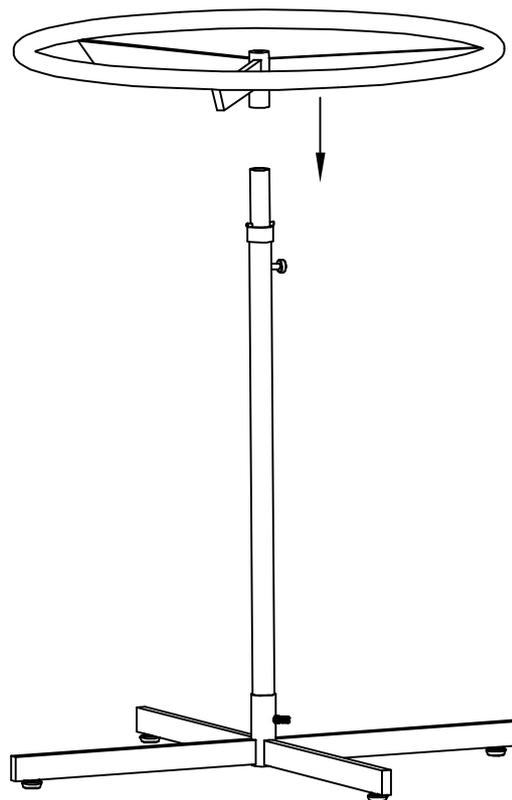
5

Pull the knob and then put the upright inside into the upright outside.

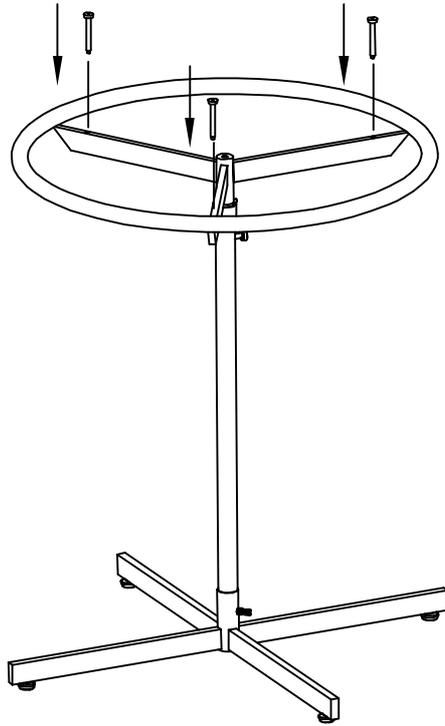


6

Put the round top onto the upright inside.



7 Put adjustable fitting pin into the round top.



8 Complete the assembly.

