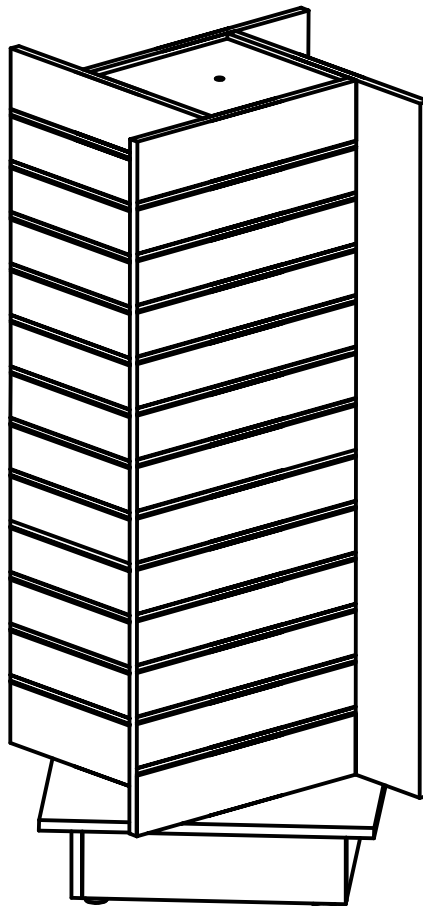


ASSEMBLY INSTRUCTIONS

SLOTWALL SPINNER UNIT

M8200BH BEECH
M8200BK BLACK
M8200WH WHITE



SHOP for SHOPS

Telephone 03 9417 3592 Facsimile 03 9419 3476

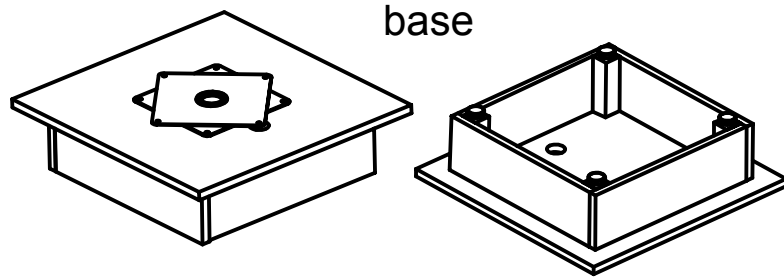
Email sales@shopforshops.com

Website www.shopforshops.com

PARTS LIST

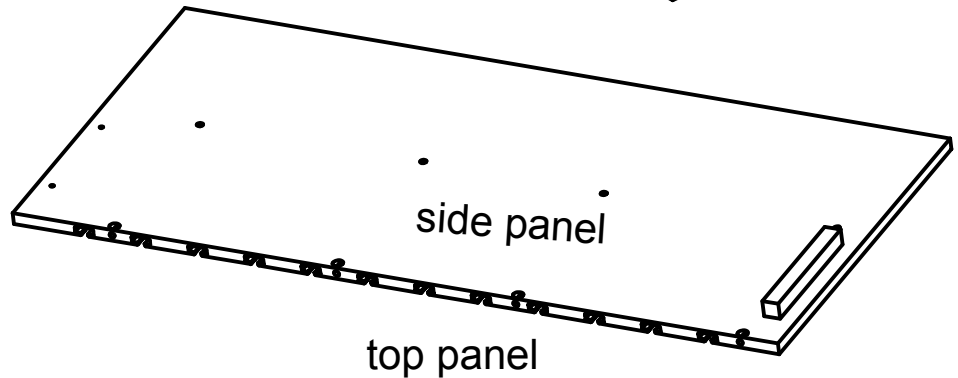
SLOTWALL SPINNER UNIT

1 X base



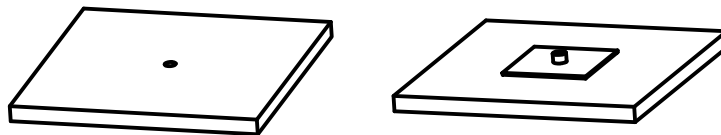
base

4 X side panels



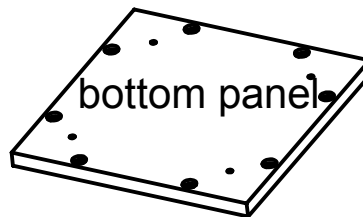
side panel

1 X top panel



top panel

1 X bottom panel



bottom panel

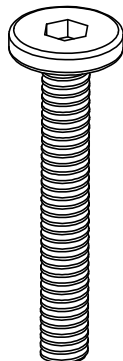
A.



B.



C.

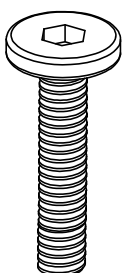


A. 16 X cam locks

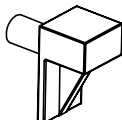
B. 16 X connecting bolts

C. 8 X 1/4"-20x35 screws

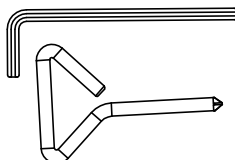
D.



E.



F.



D. 4 X 1/4"-20x20 screws

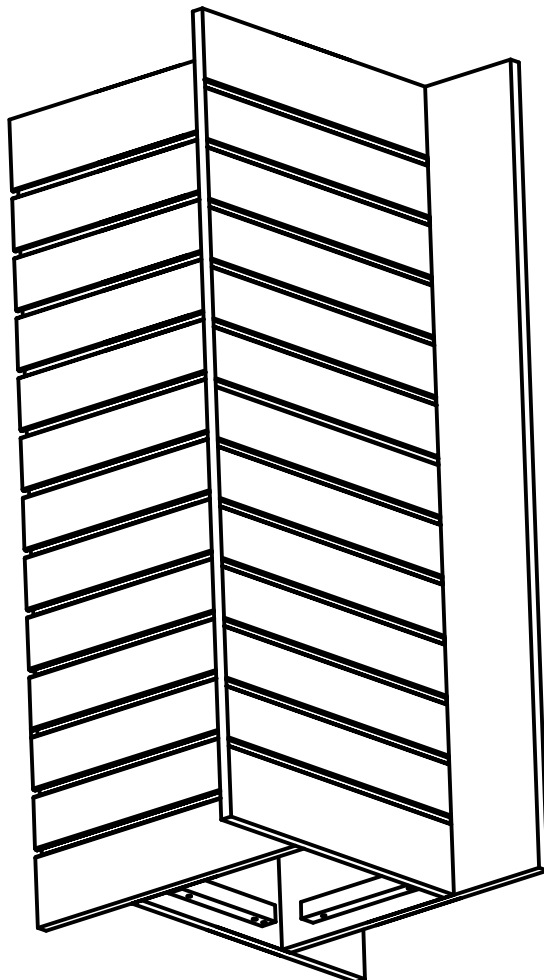
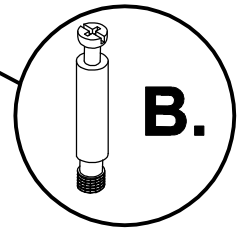
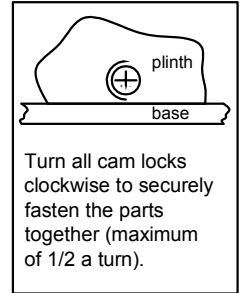
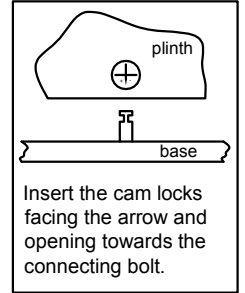
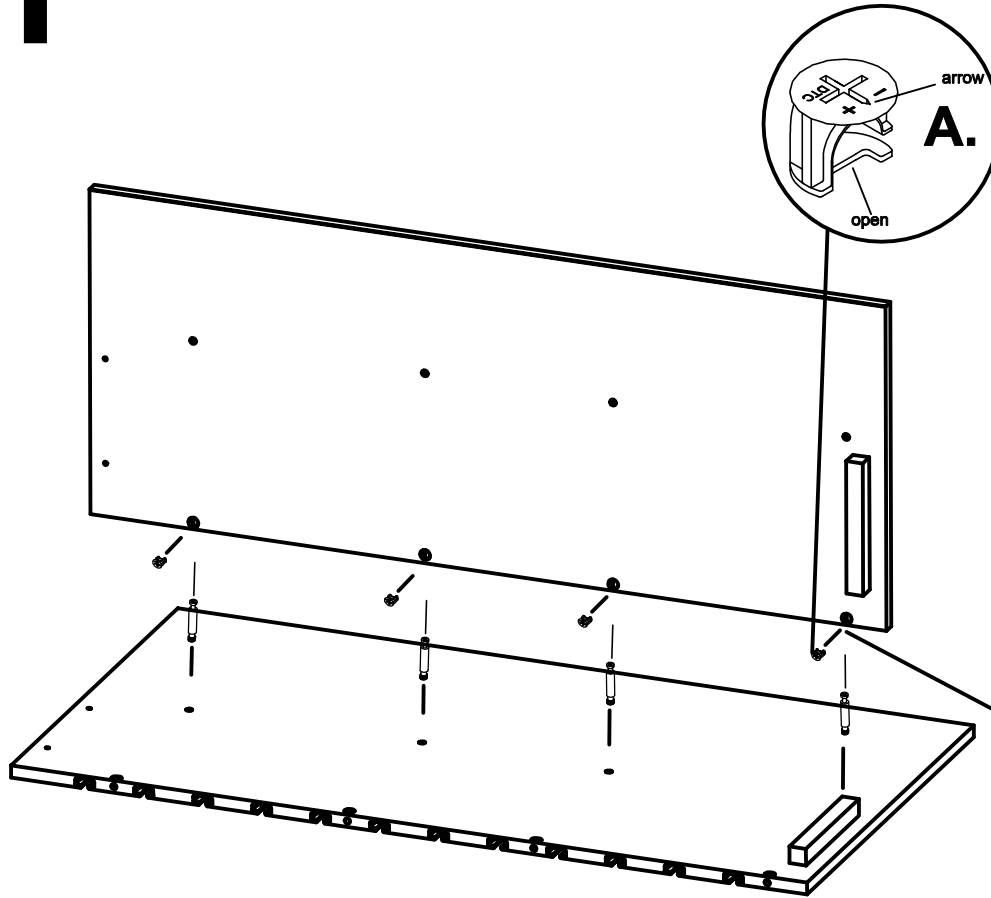
E. 8 X top panel fixing pins

F. 1 X allen key and 1 X cross key

1

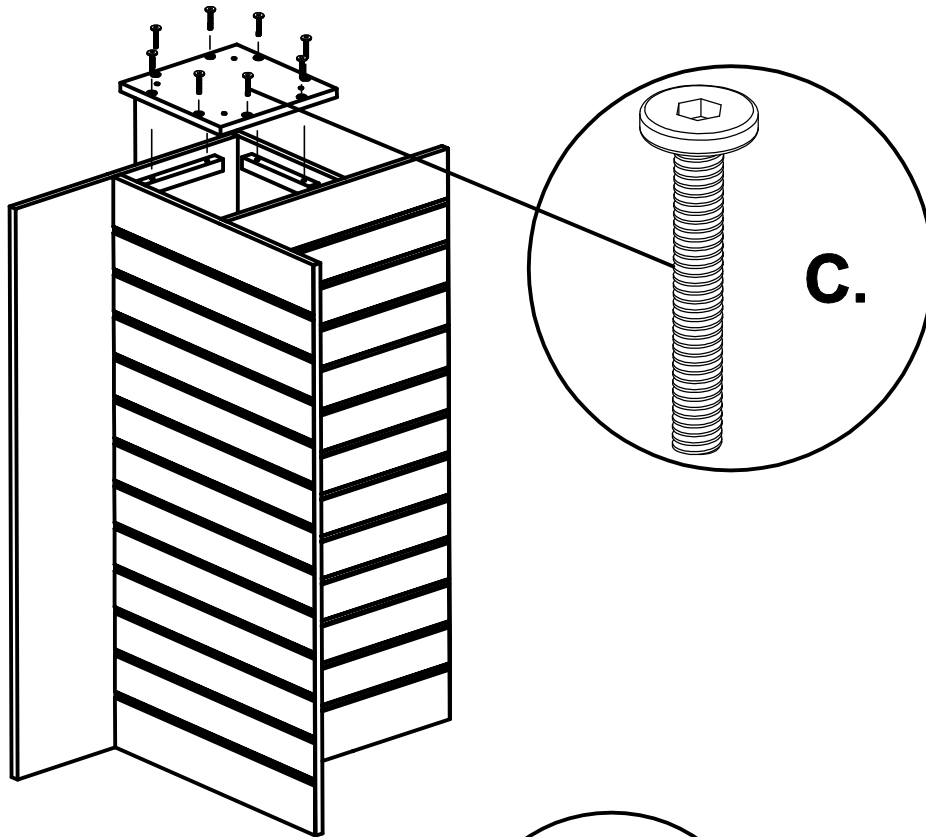
Install 4 X connecting bolts and 4 cam locks into two side panels.

Put the other side panels and secure all cam locks

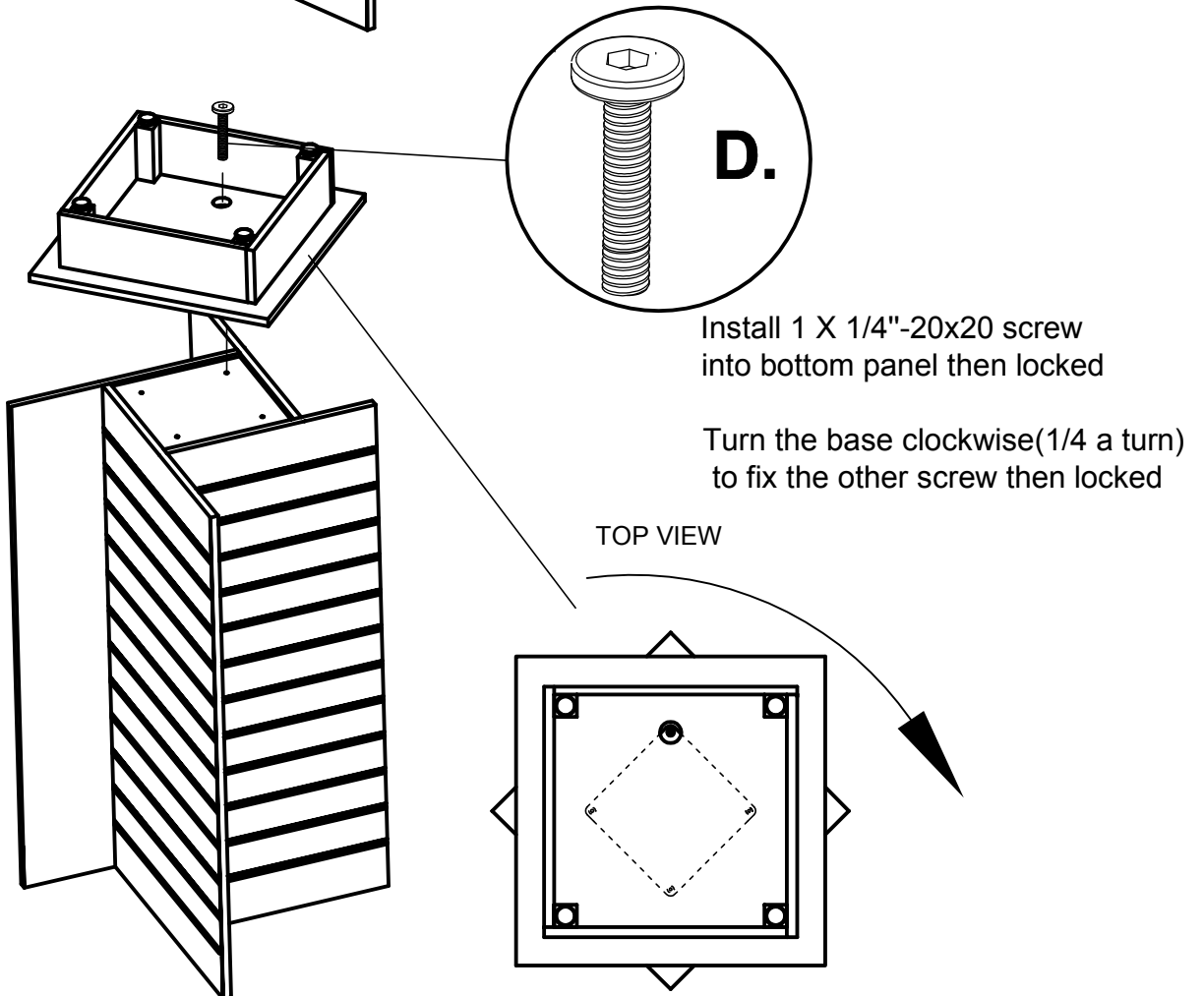


2

Install 8 X 1/4"-20x35 screws into side panels



3



4

Install 2 X top panel fixing pins onto each side panel

Put on the top panel

