

Using magnetic power track

Magnetic power track used to connect power to shelves

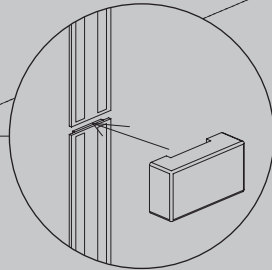
Magnetic power tracks can be attached to metal panels or posts.



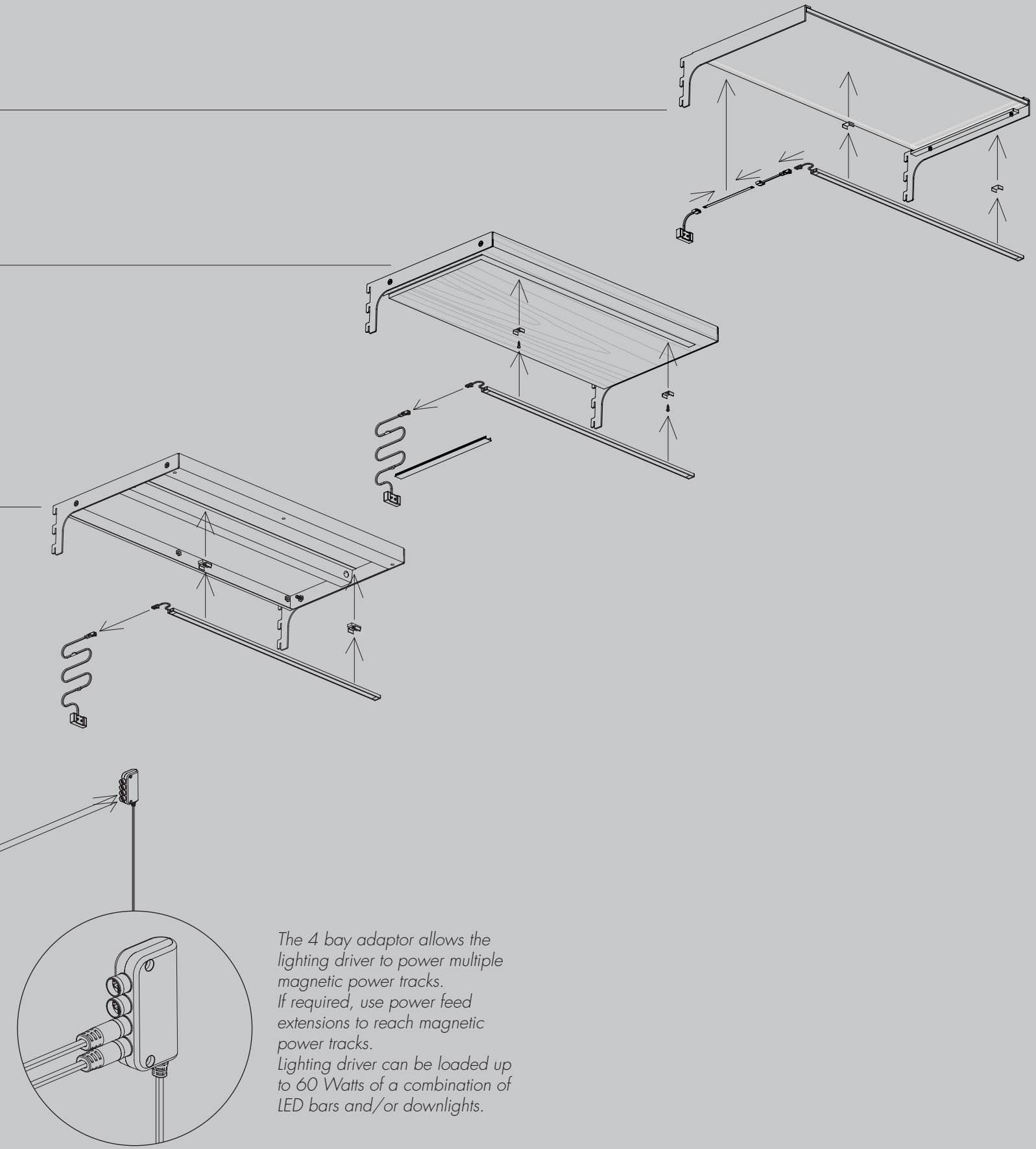
Magnetic power tracks can be cut to size to suit the height required.



Use magnetic track to track connectors to connect magnetic power tracks.



Using magnetic power track



The 4 bay adaptor allows the lighting driver to power multiple magnetic power tracks. If required, use power feed extensions to reach magnetic power tracks. Lighting driver can be loaded up to 60 Watts of a combination of LED bars and/or downlights.

Using direct power cable

Direct power cable used to connect power to downlight pelmet box and angled signage light box

Direct power cable can be used as an alternative to the magnetic power track.

Downlight pelmet boxes can be found on page 124

Angled signage light boxes can be found on page 122



Direct power cable

