

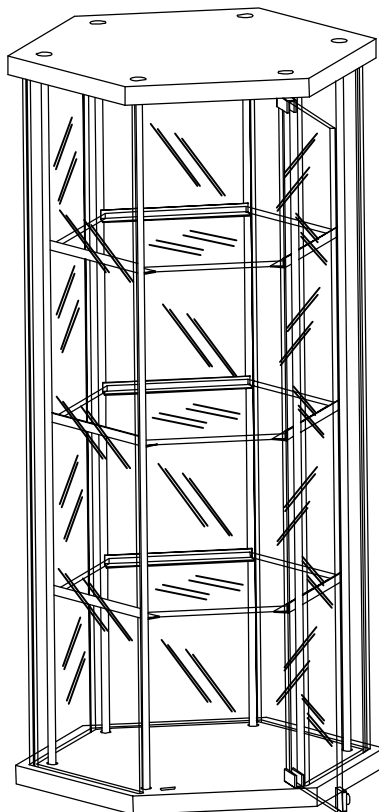
# ASSEMBLY INSTRUCTIONS

## COUNTERTOP SHOWCASE

F7000BH BEECH

F7000BK BLACK

F7000WH WHITE



**SHOP** for **SHOPS™**   
storeworks™

Telephone 03 9417 3592 Facsimile 03 9419 3476

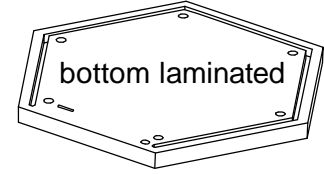
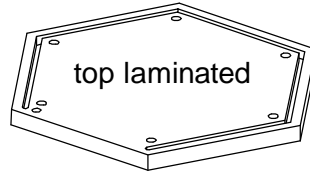
Email [sales@shopforshops.com](mailto:sales@shopforshops.com)

Website [www.shopforshops.com](http://www.shopforshops.com)

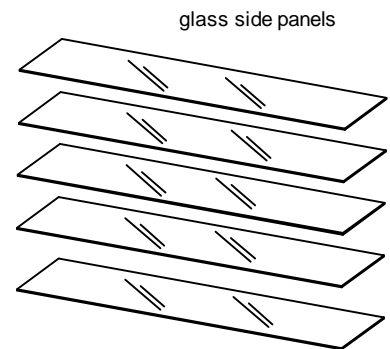
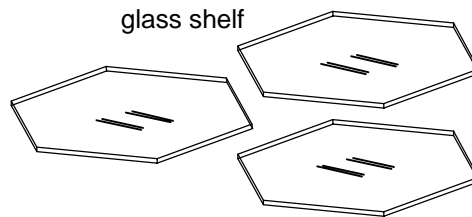
# PARTS LIST

## COUNTERTOP SHOWCASE

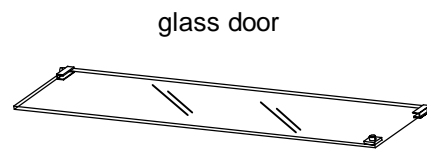
1 X top laminated  
1 X bottom laminated



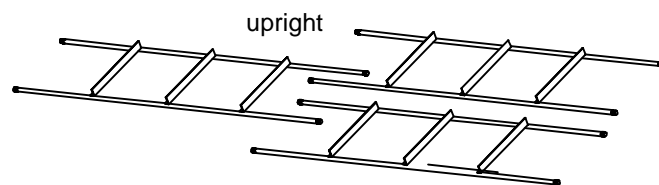
3 X glass shelves  
5 X glass side panels



1 X glass door



3 X uprights



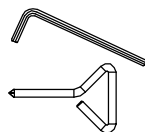
**A.**



**B.**



**C.**



A. 12 X M6 nuts

B. 2 X Keys

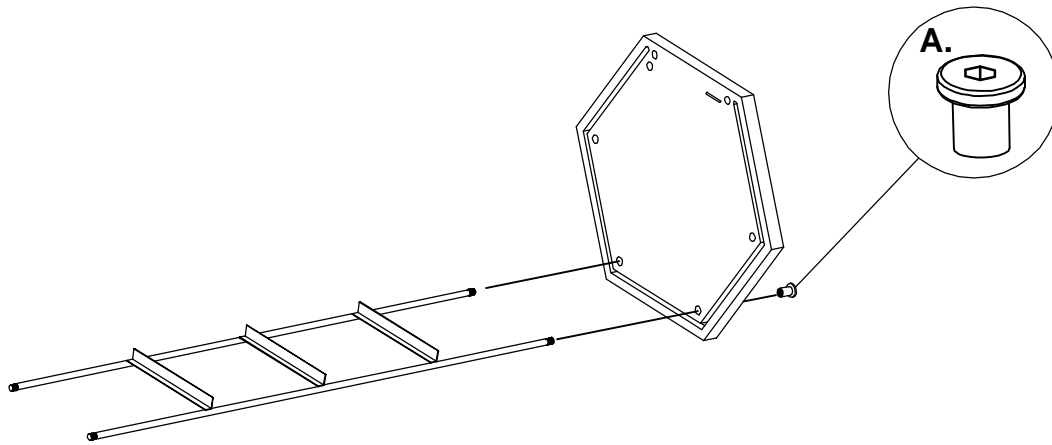
C. 1 X Allen key and 1 X Screw driver

\*\*Two people are required to assemble this unit.

\*\*The screw driver is for adjustment of fittings on the door if any changes are required.

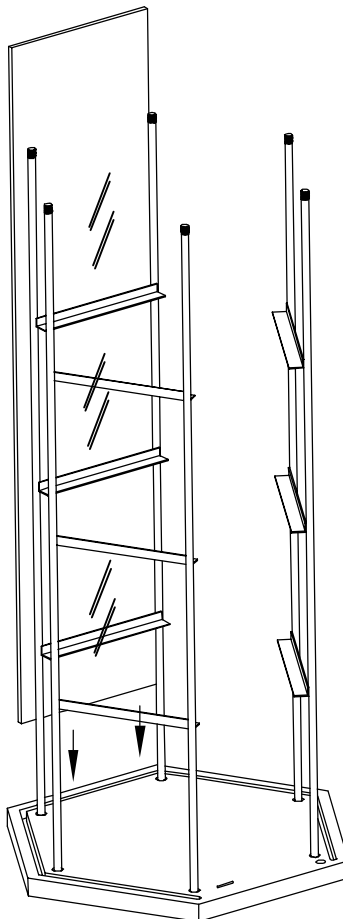
# 1

Install 3 X uprights into base and lock them.



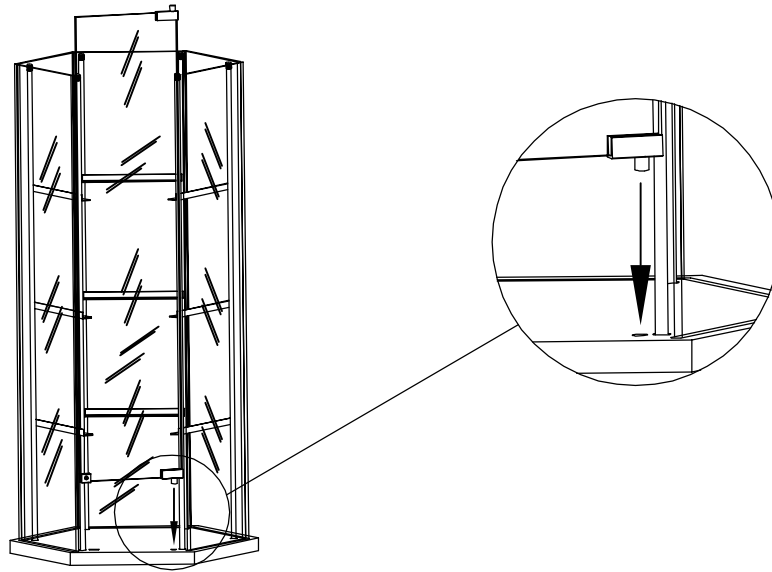
# 2

Install the side glass panel onto base.



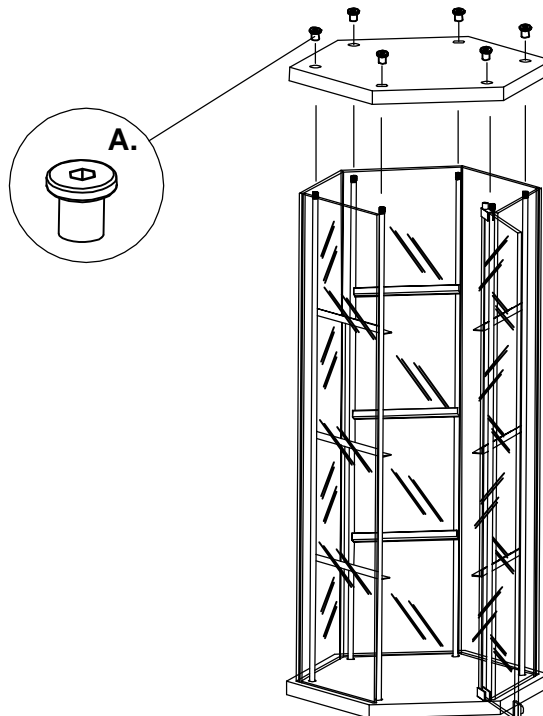
# 3

Install glass door onto base.



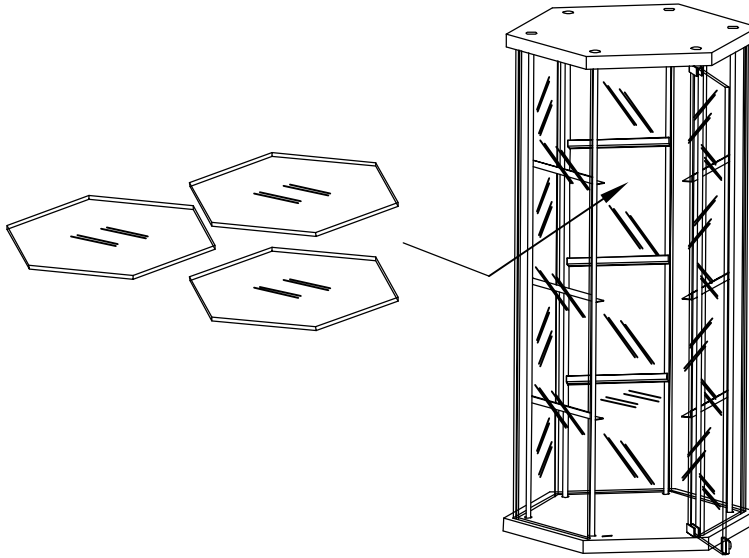
# 4

Install the top laminated panel  
Fix the upright with top laminated panel.



# 5

Install 3 X glass shelves.



# 6

Complete the assembly.

