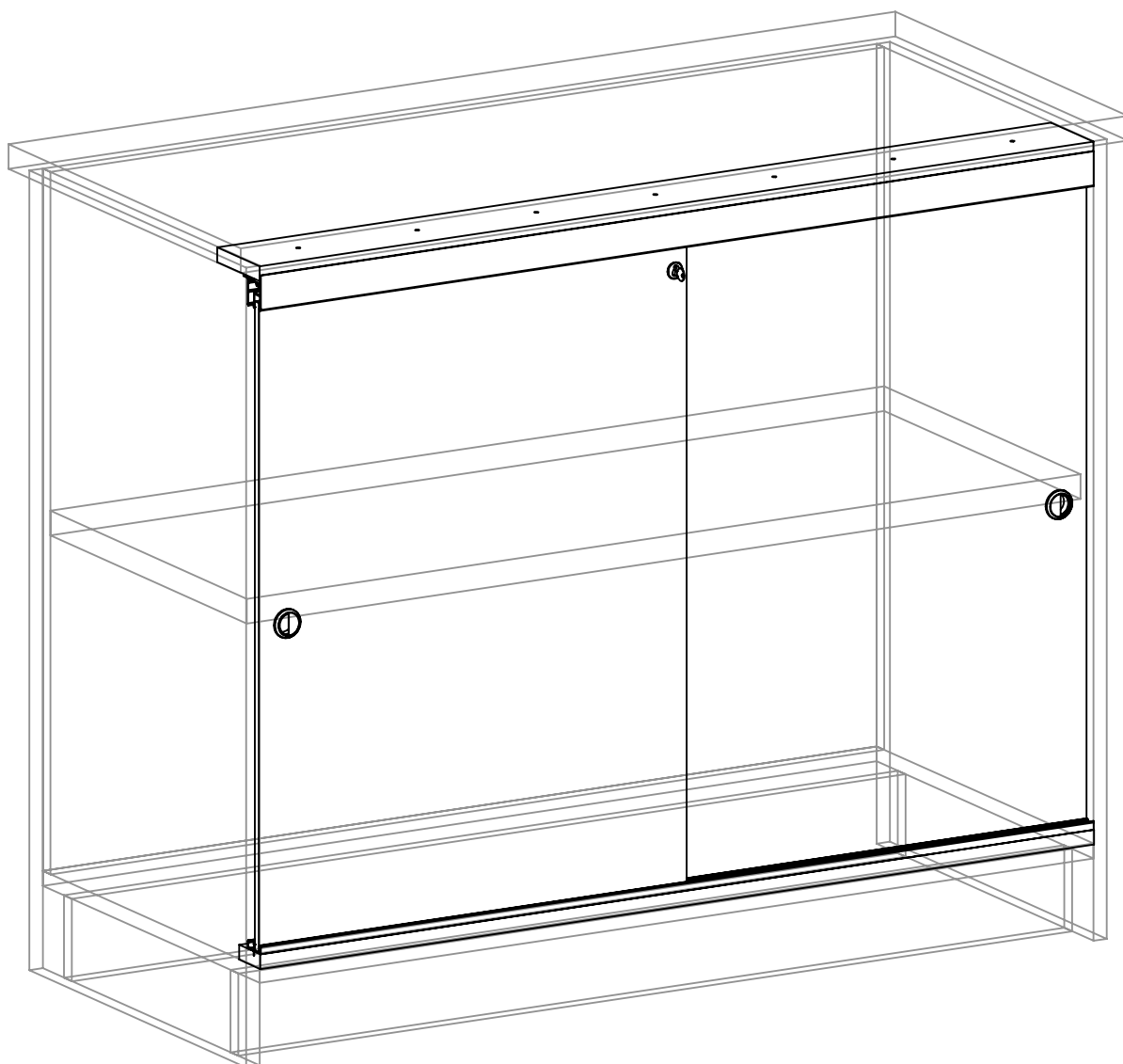


SLIDING DOOR KIT WITH LOCK TO SUIT F4012 COUNTER MDF

F4013BH BK WH

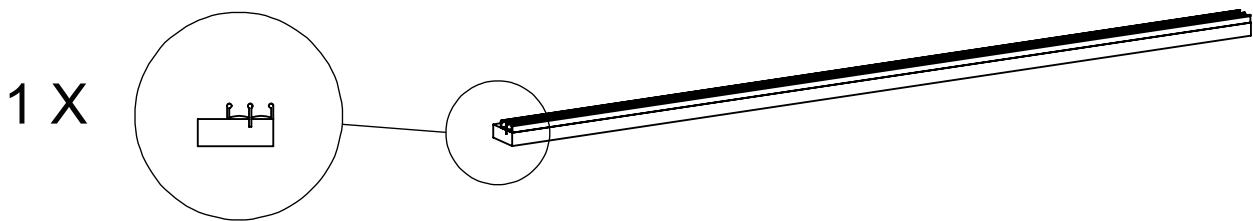
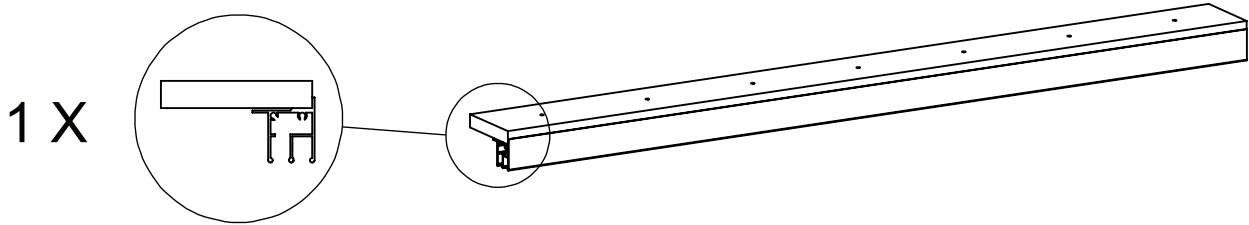


ASSEMBLY INSTRUCTIONS

www.shopforshops.com

Jan 2015

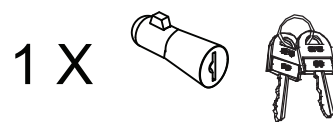
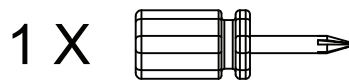
PARTS LIST



A

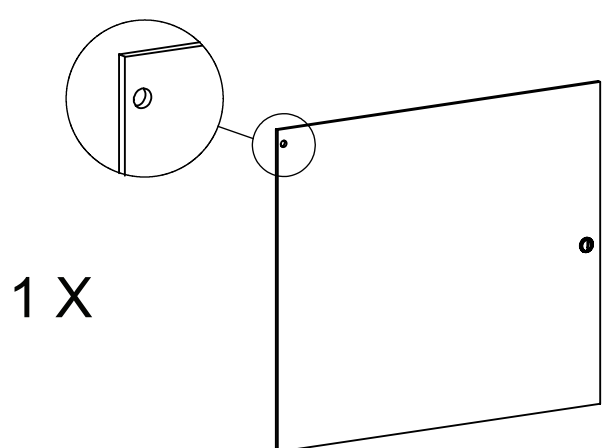
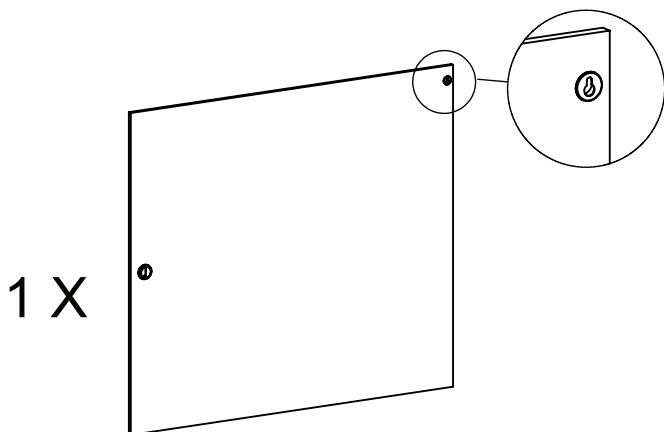
B

C

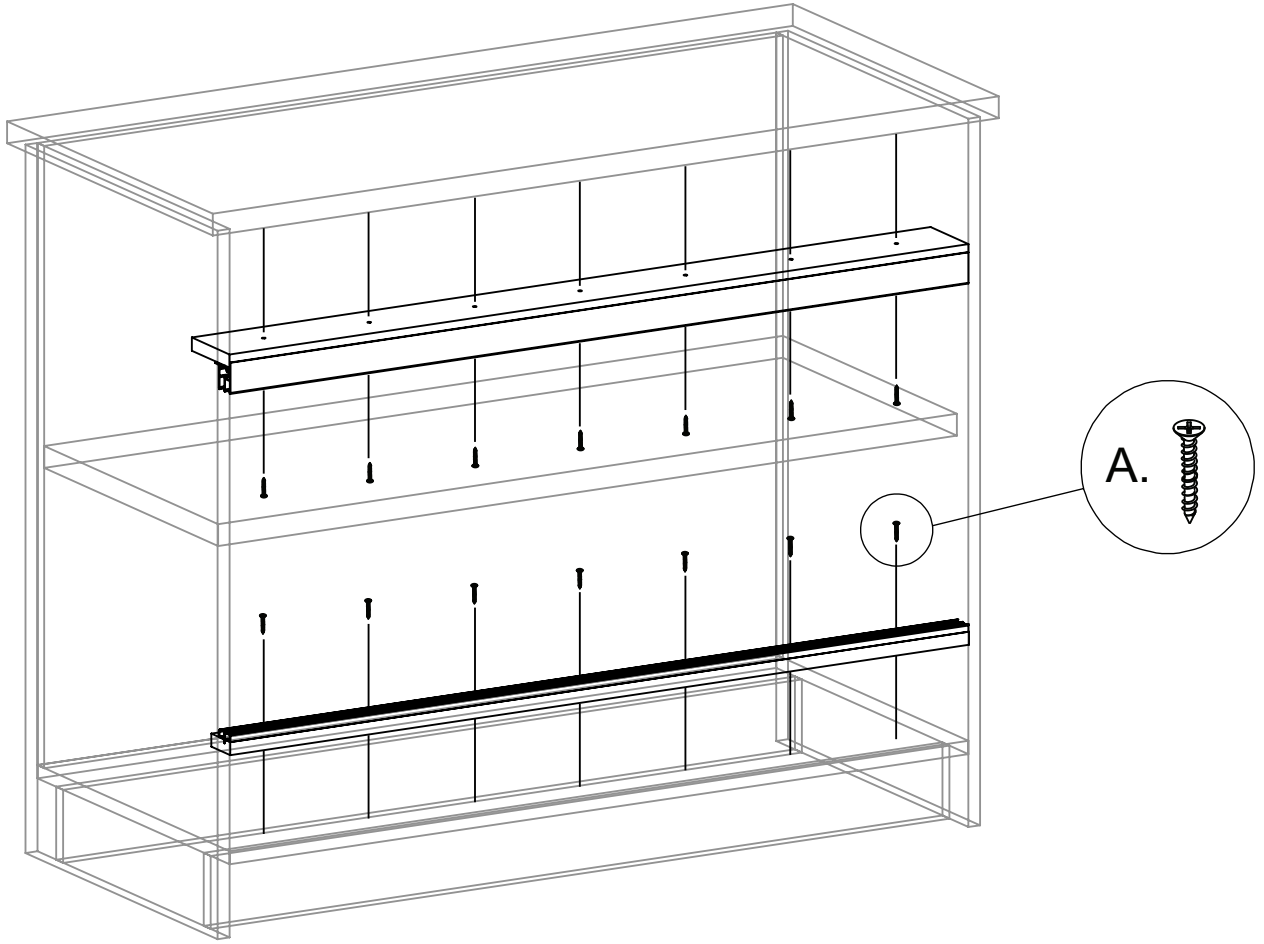
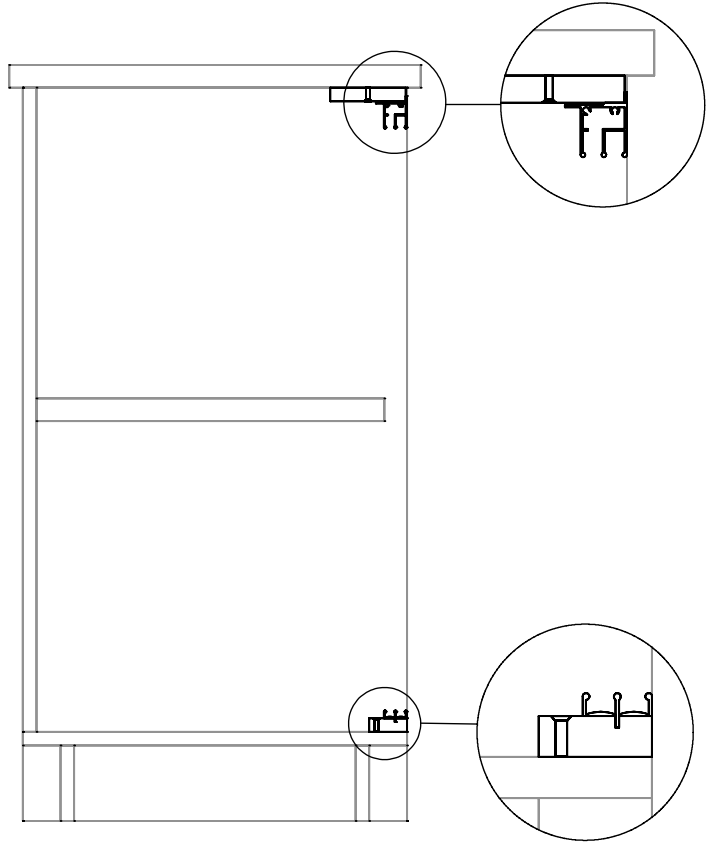


D

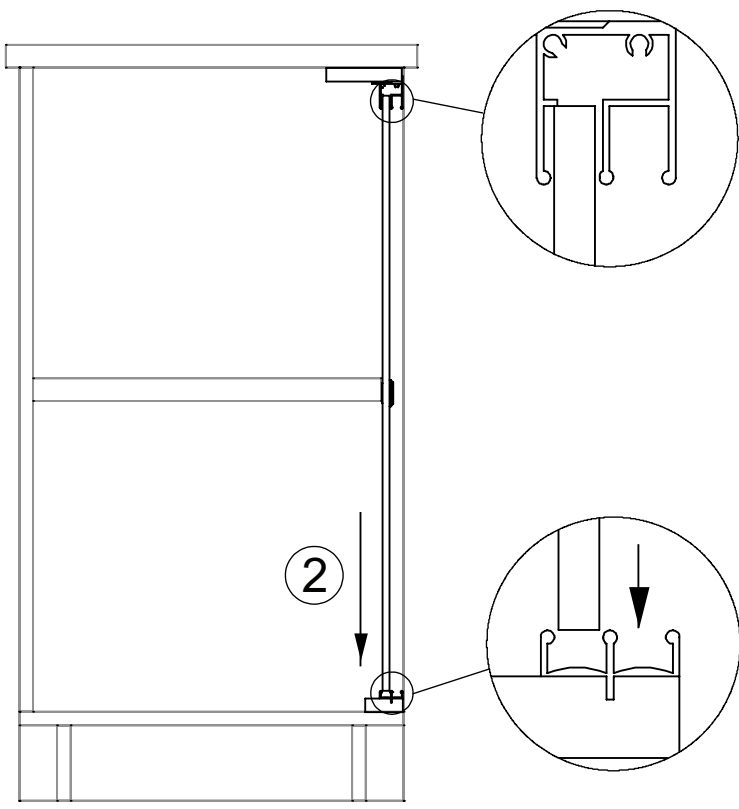
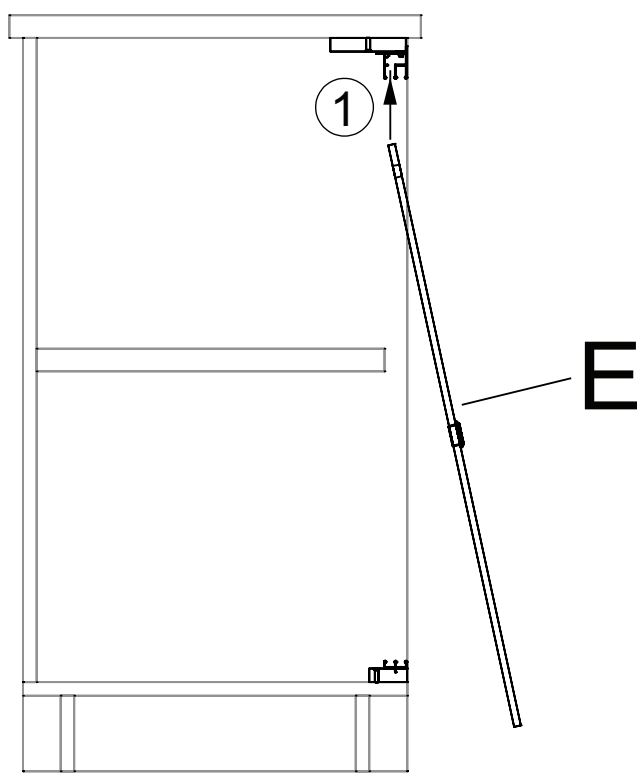
E



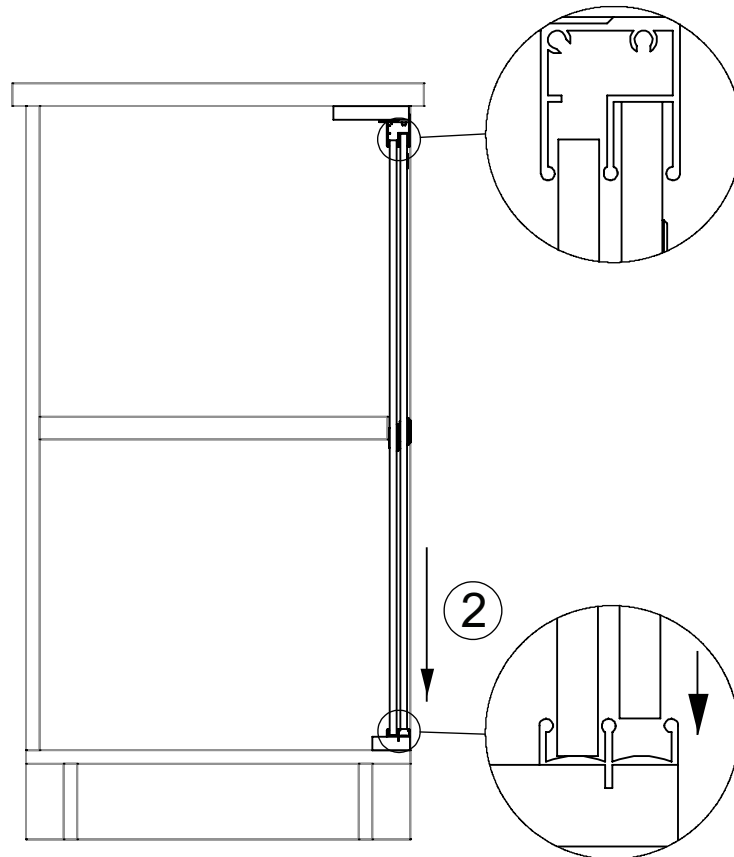
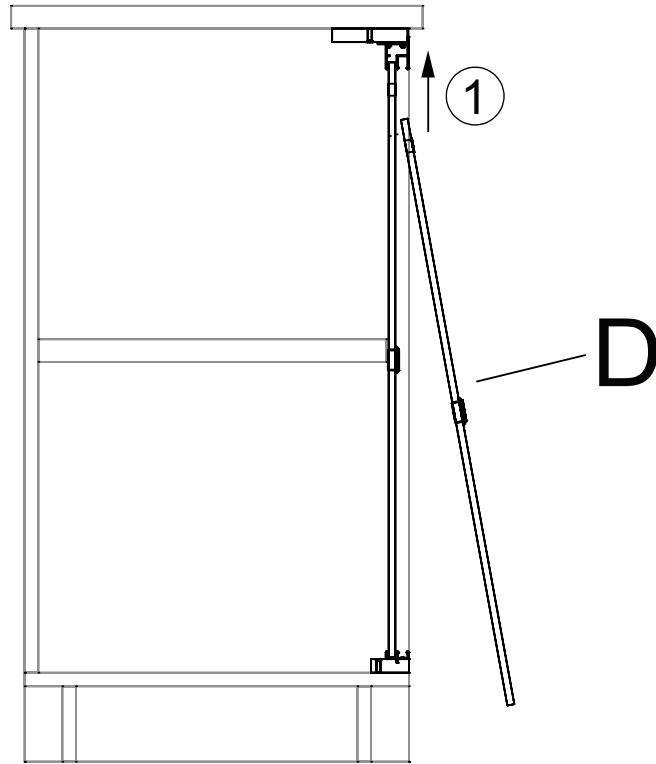
1



2

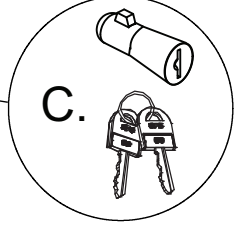
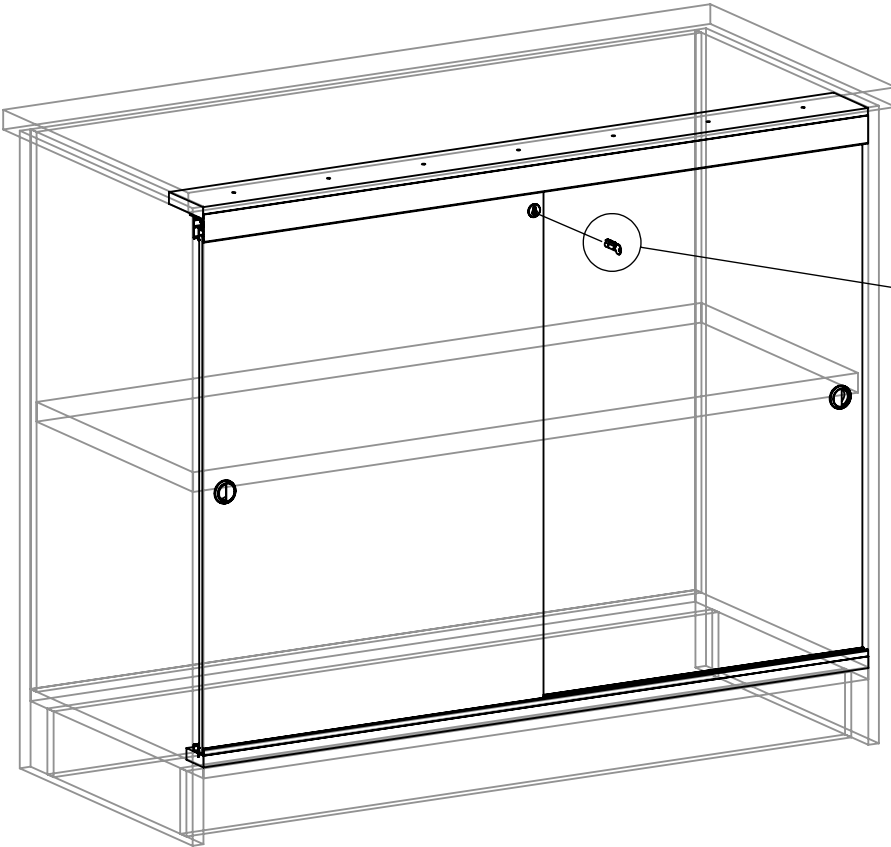


3





4



5

