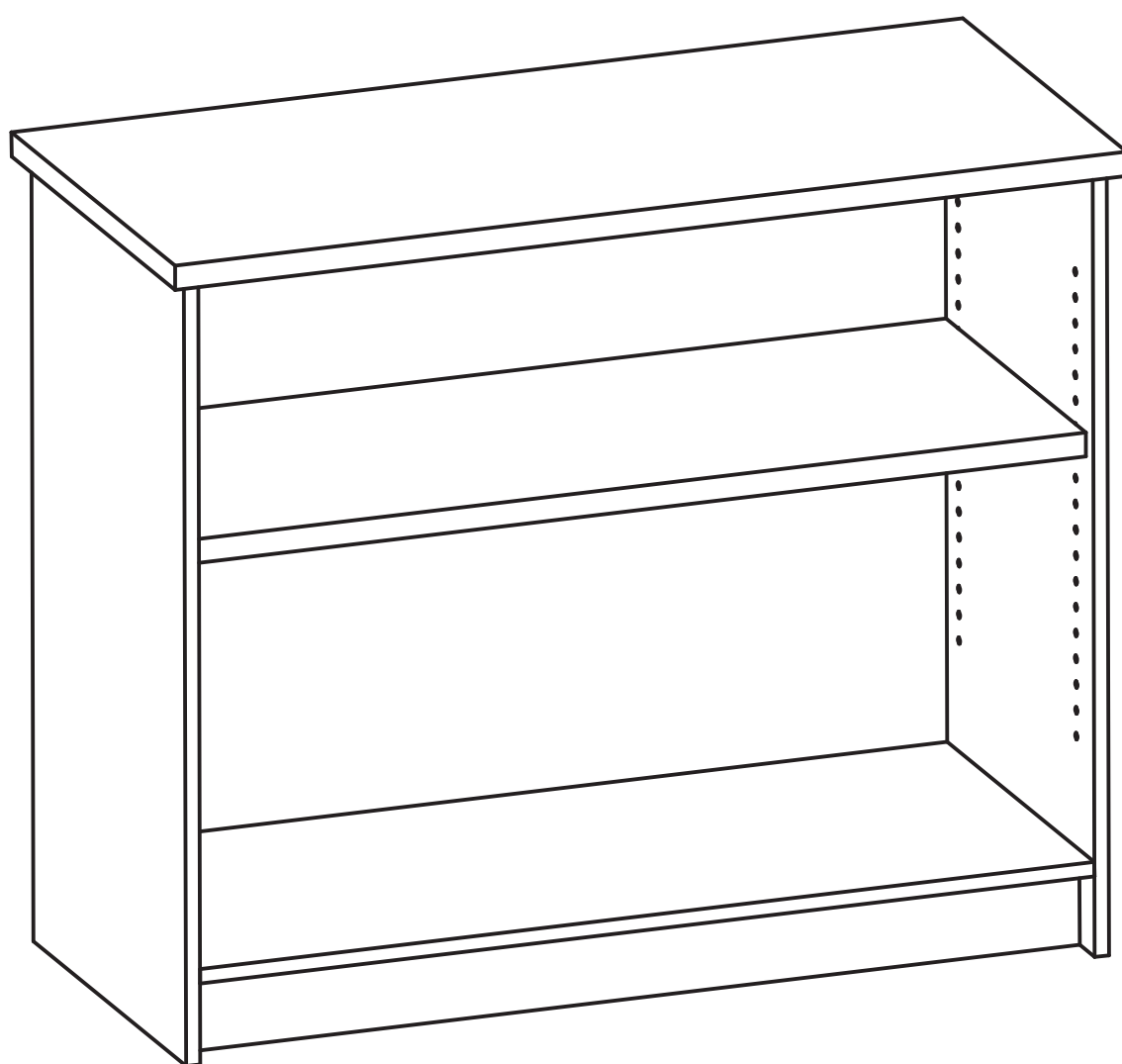


# TIMBER COUNTER 1200MM LONG



F4012BH	BEECH
F4012BK	BLACK
F4012WH	WHITE
F4012PY	PLY

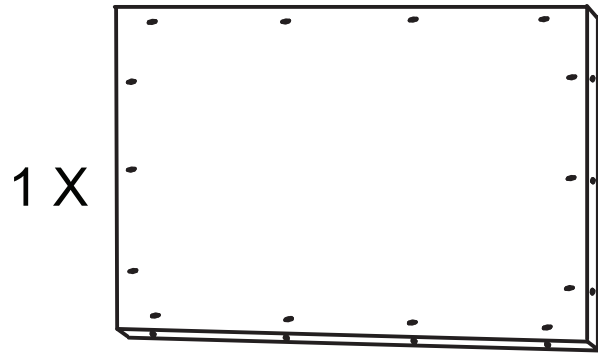
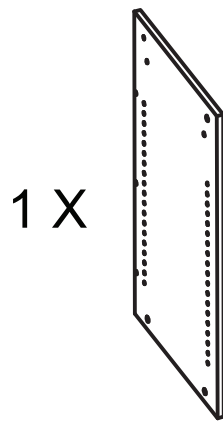
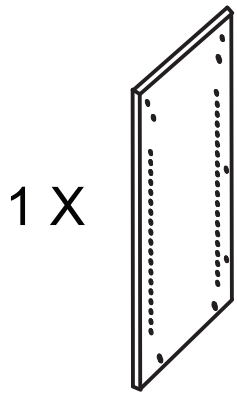
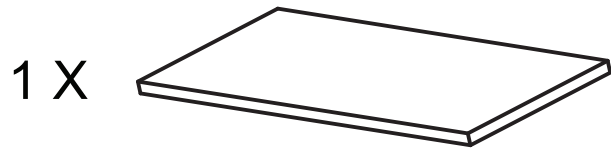
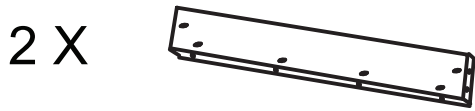
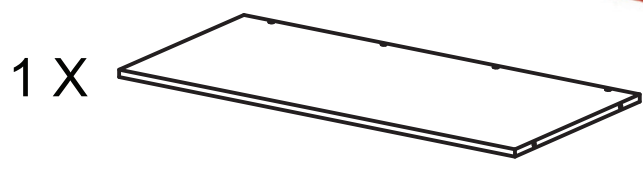
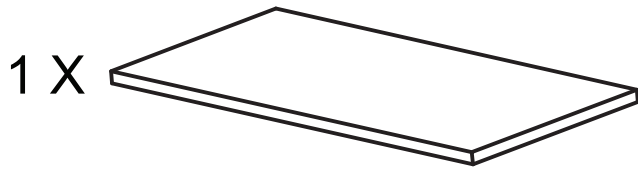


## ASSEMBLY INSTRUCTIONS

[www.shopforshops.com](http://www.shopforshops.com)

Aug 2011

# PARTS LIST



**A**

34 X



**B**

34 X



**C**

4 X



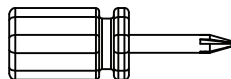
**D**

18 X

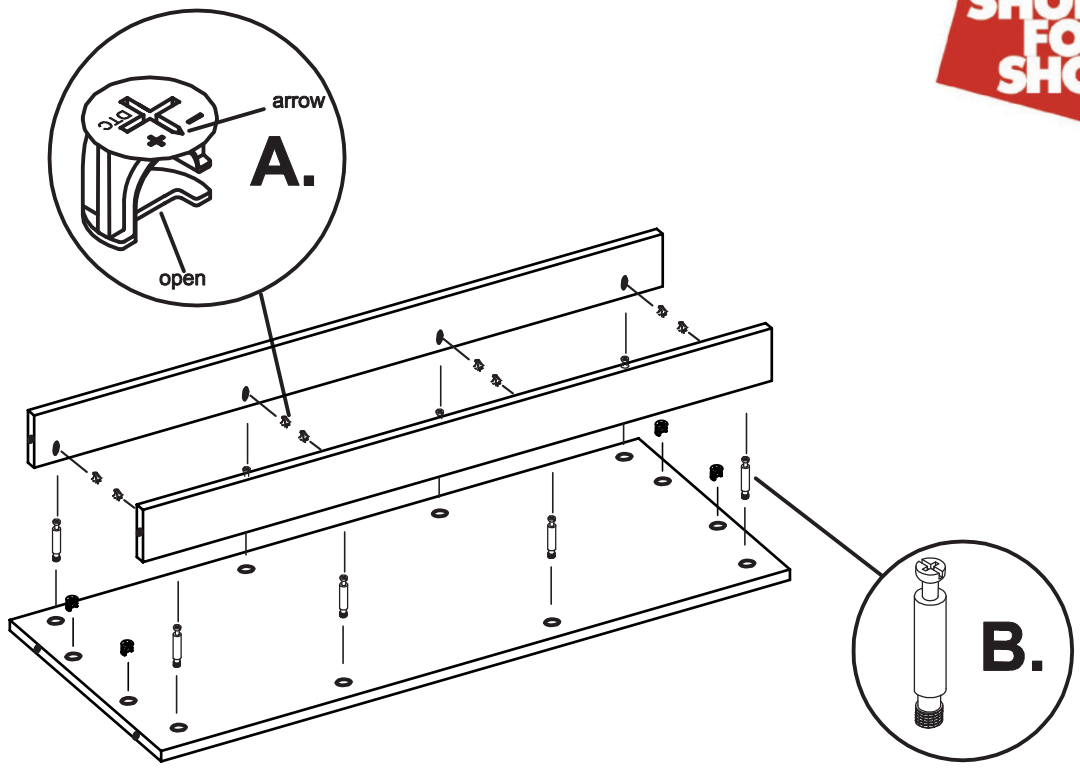


**E**

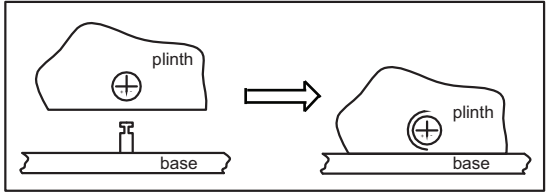
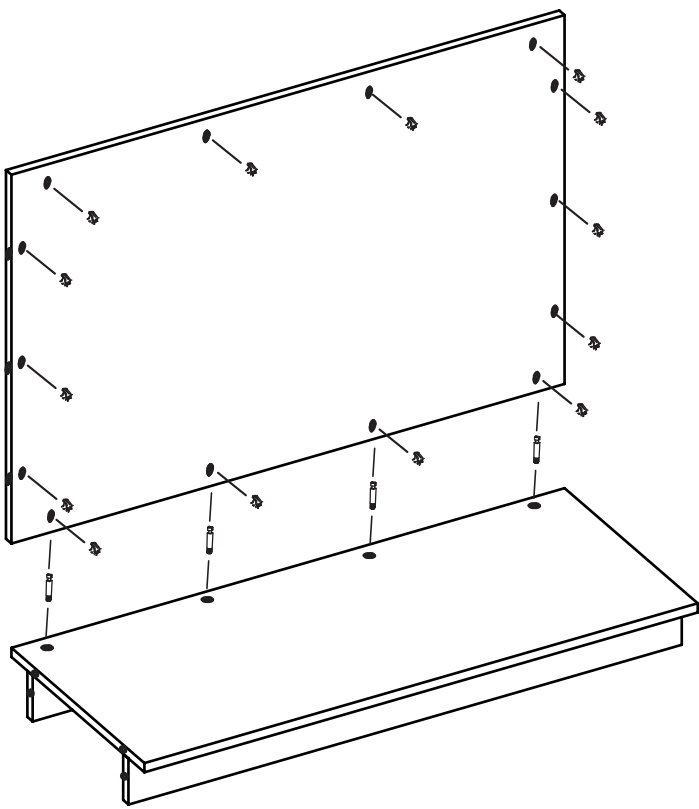
1 X



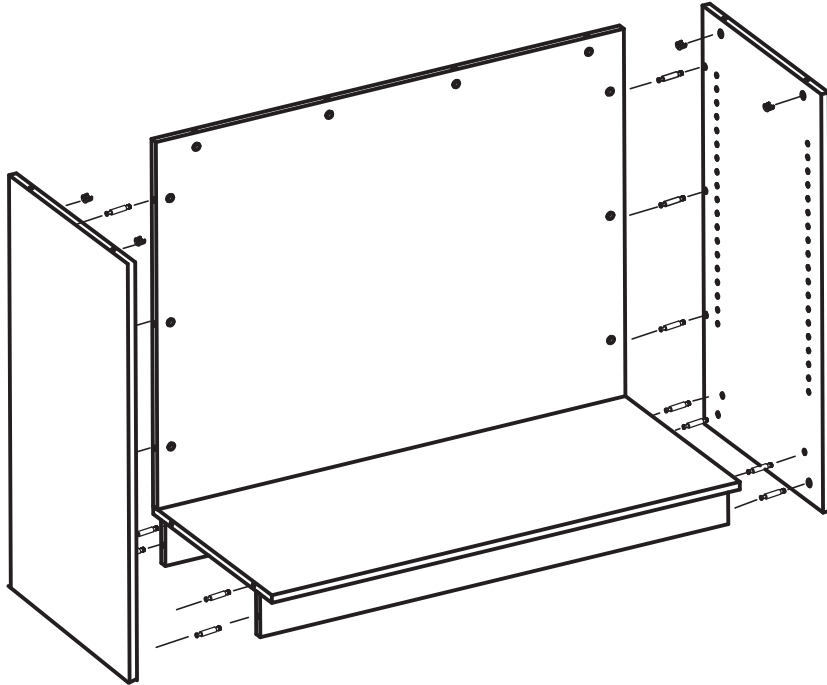
# 1



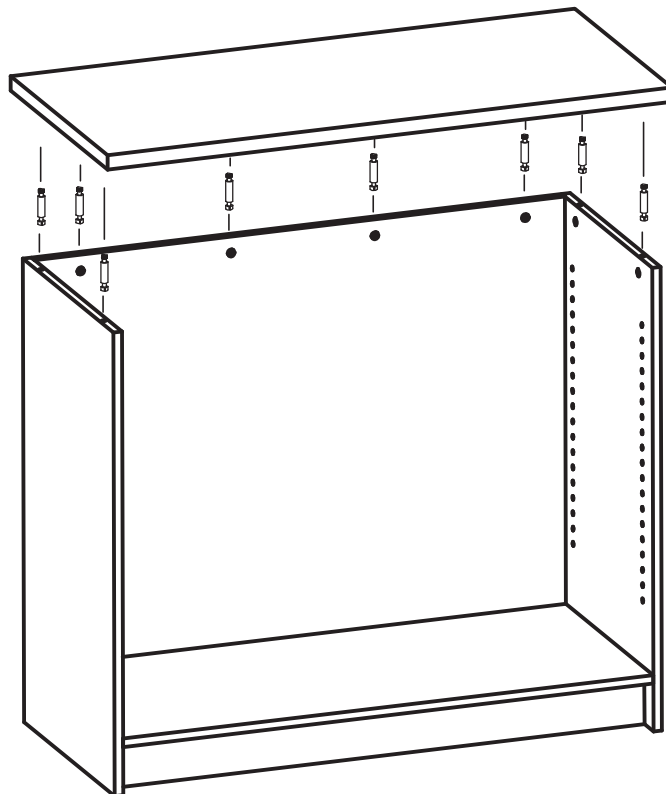
# 2



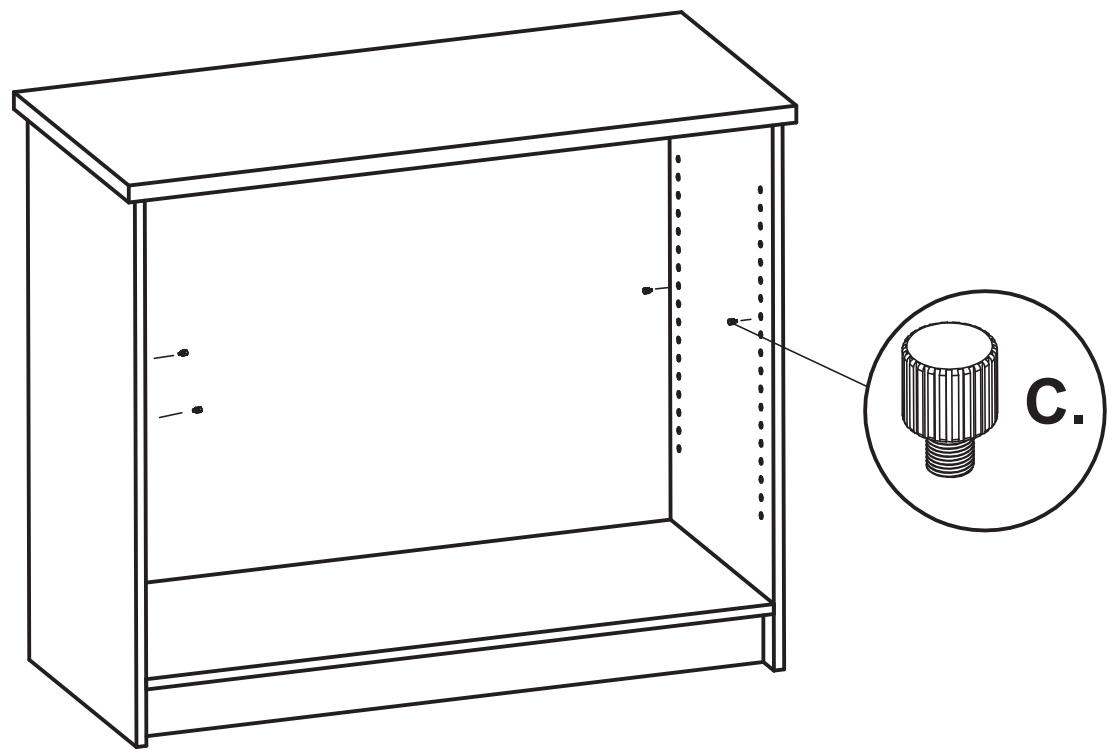
# 3



# 4



5



6

