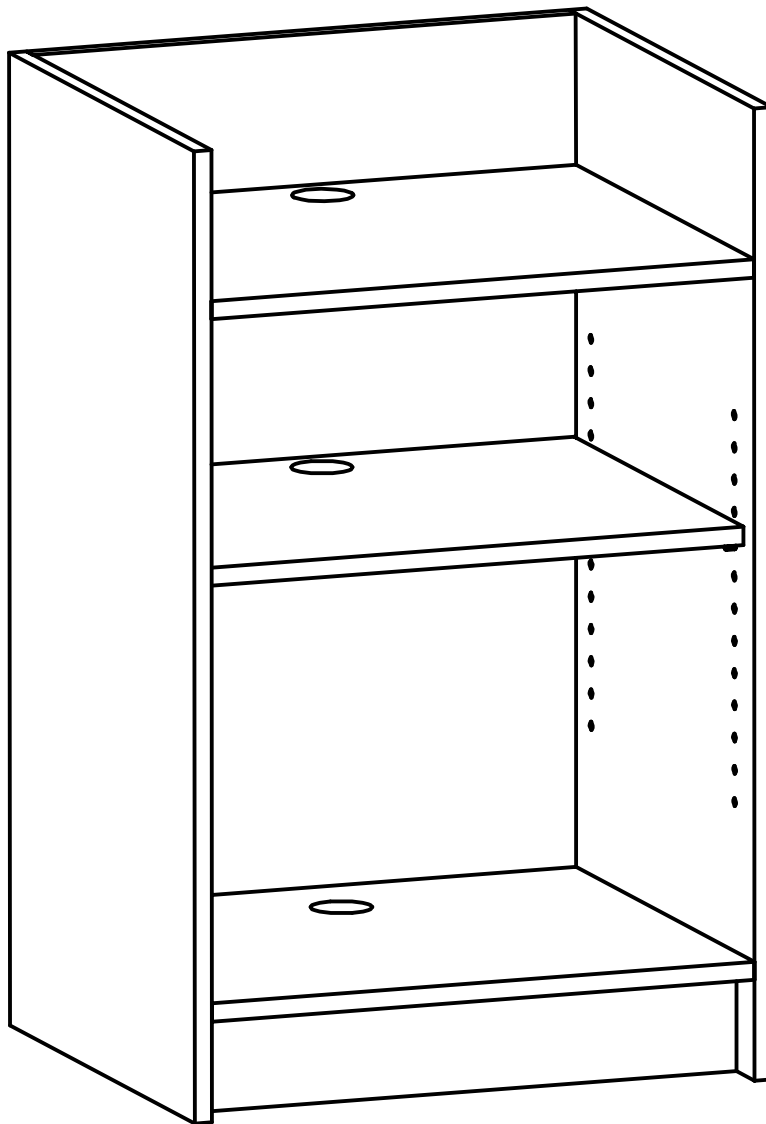


REGISTER COUNTER

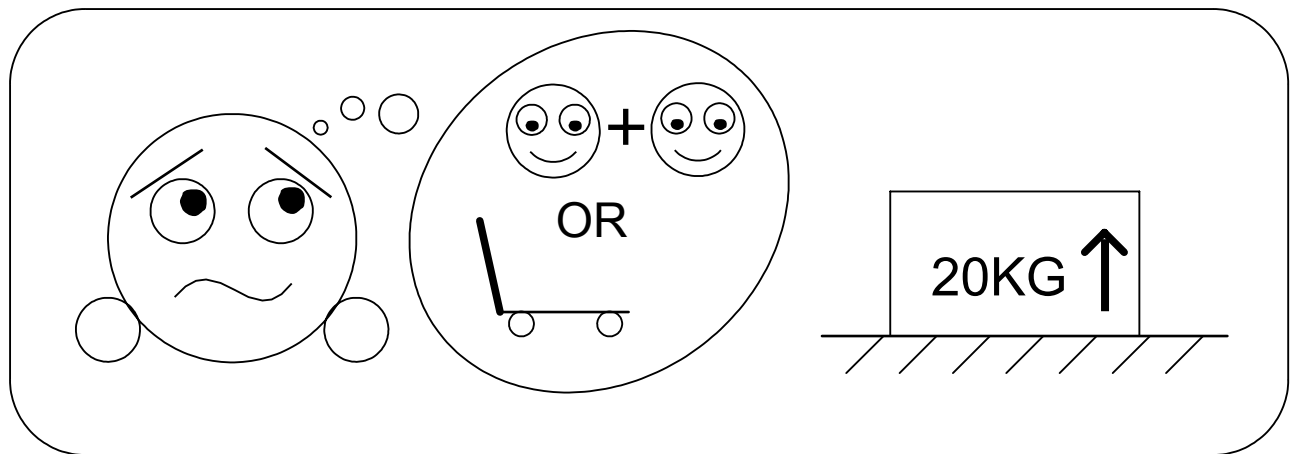
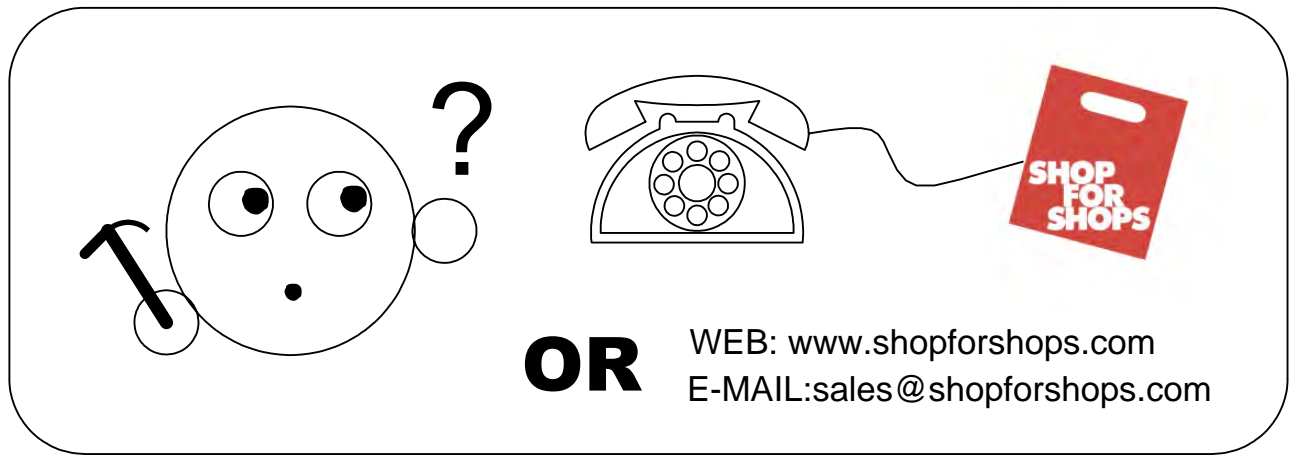
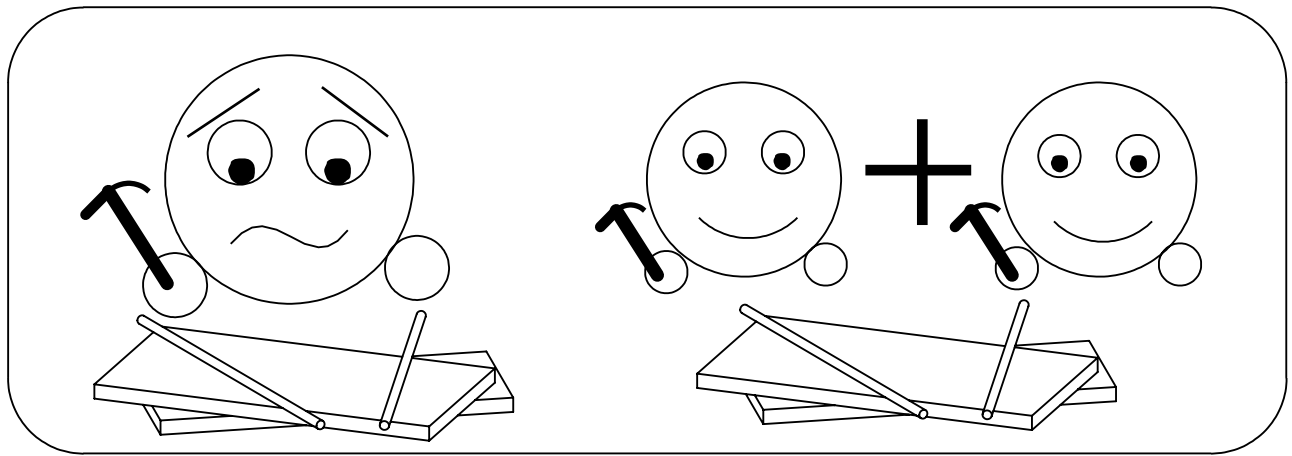
F4000BH
F4000BK
F4000WH



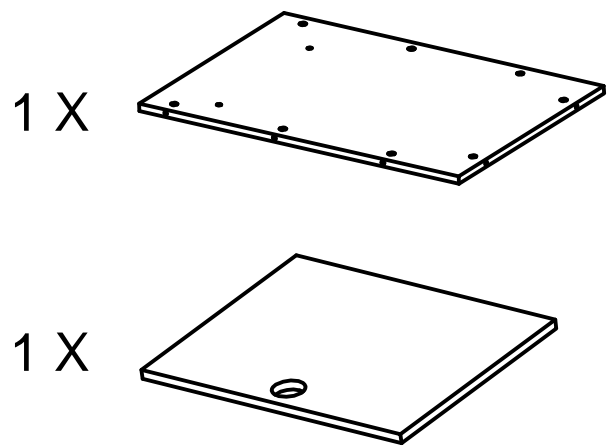
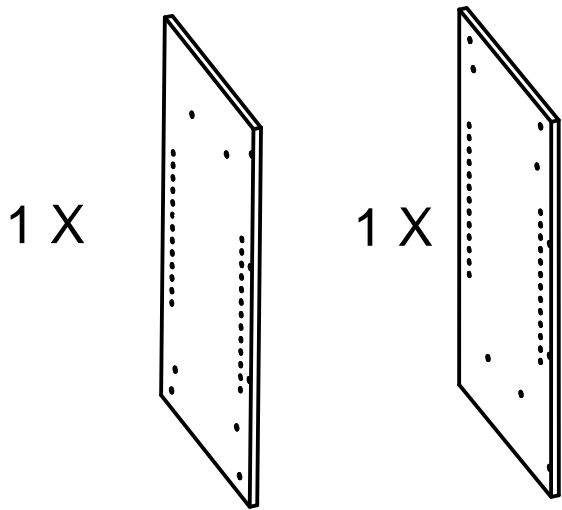
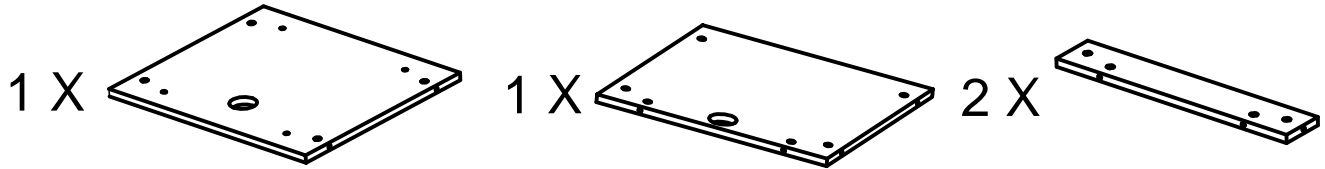
ASSEMBLY INSTRUCTIONS

www.shopforshops.com

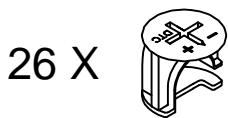
Aug 2011



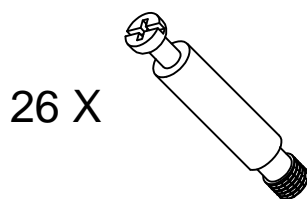
PARTS LIST



A



B



C



E



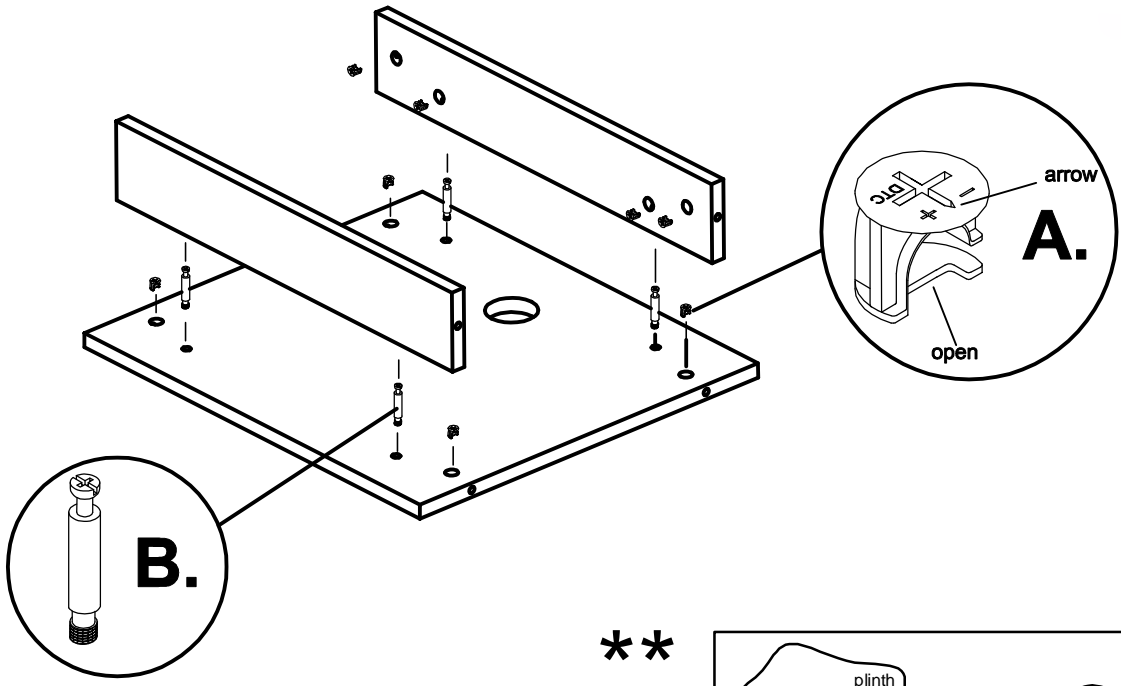
F



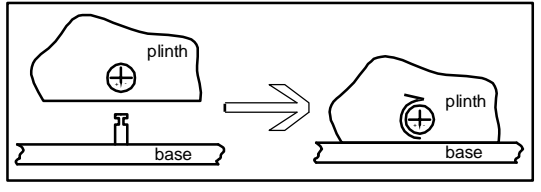
G



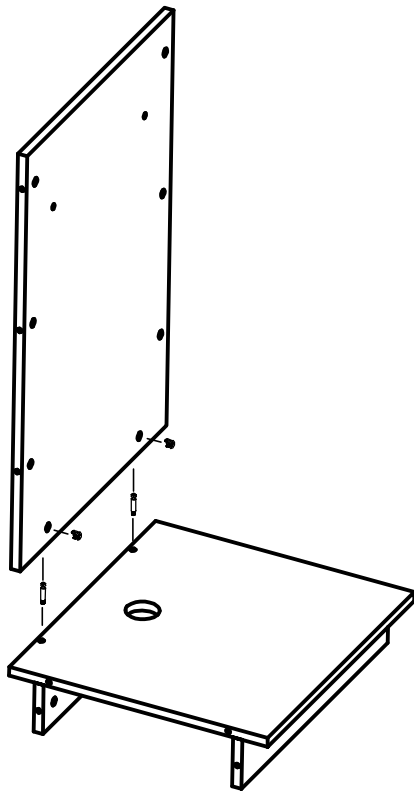
1



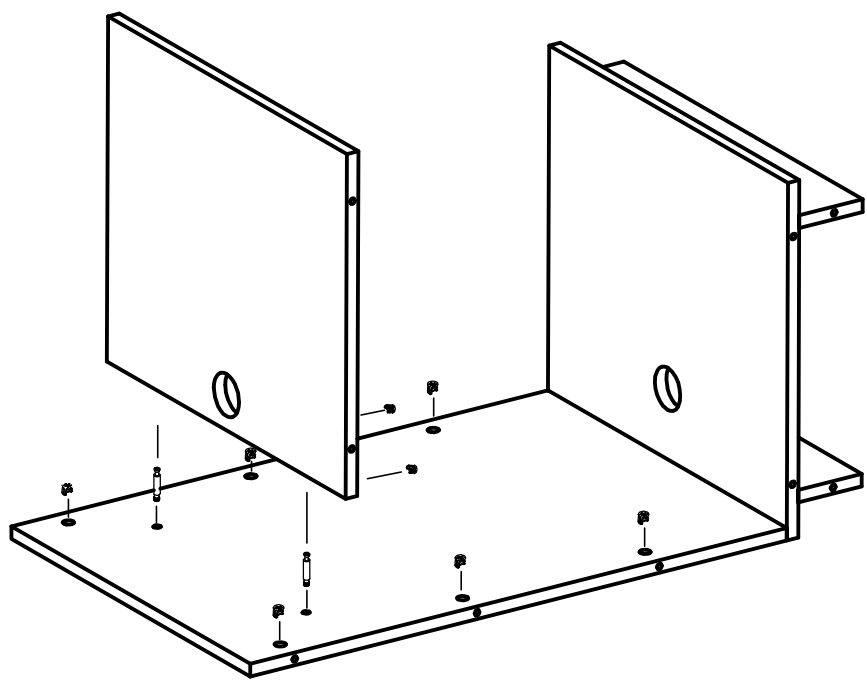
**



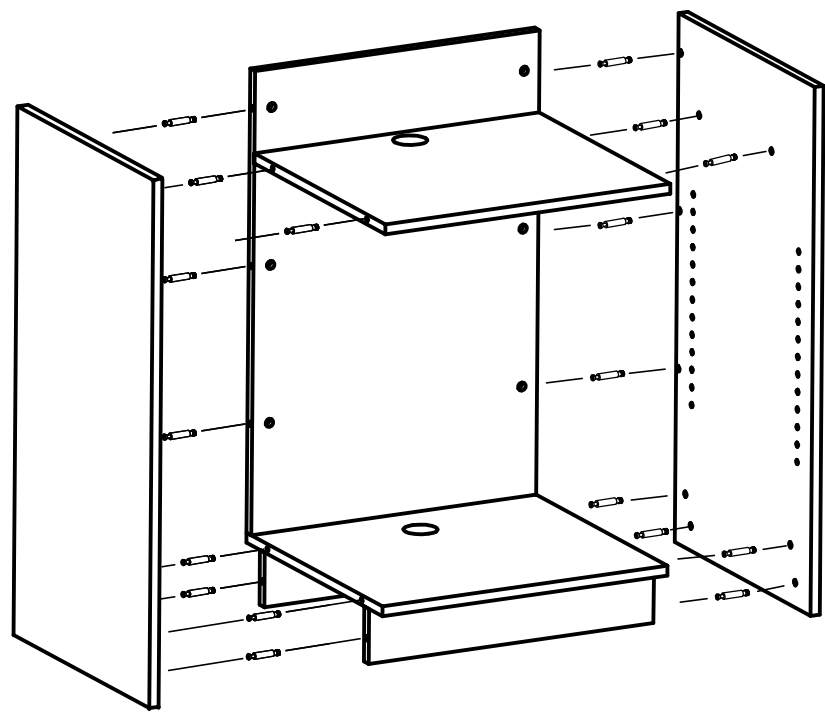
2



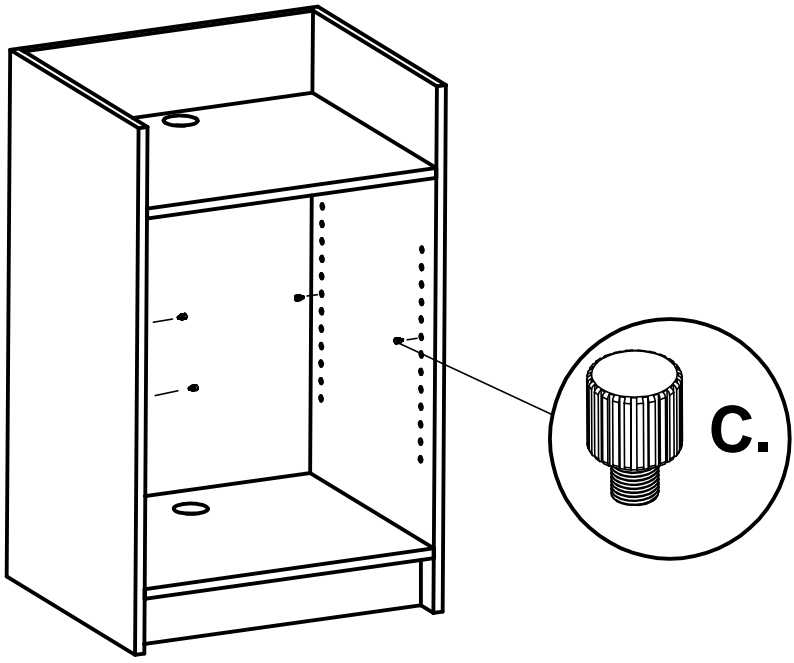
3



4



5



6

