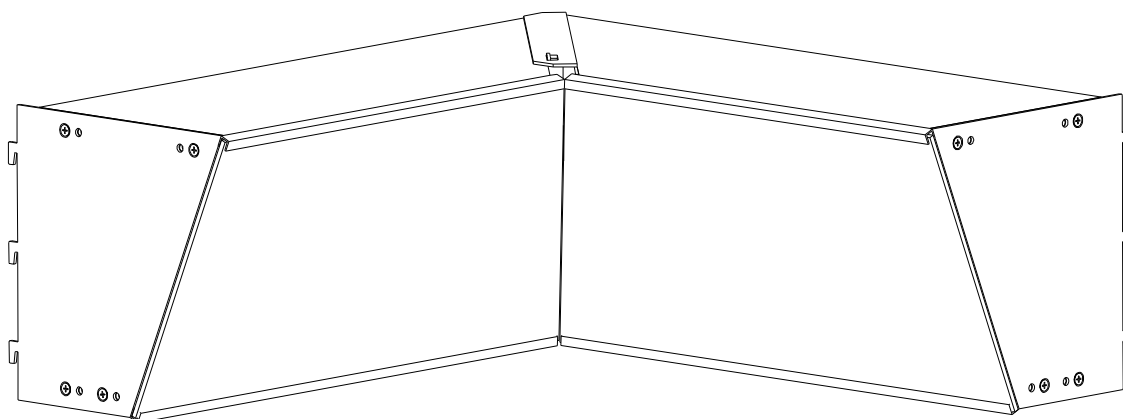


**MAXe ANGLED CORNER LIGHT BOX SET
FOR 600x600 mm BAY
590 W x 238 H x 231 mm D**



E9926.4BKS WTS

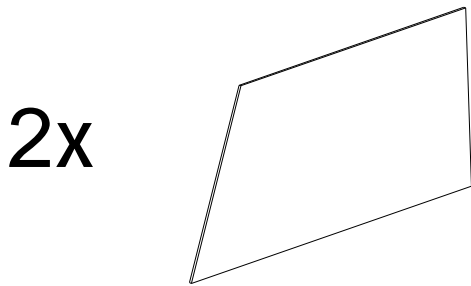
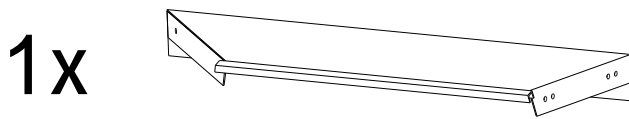
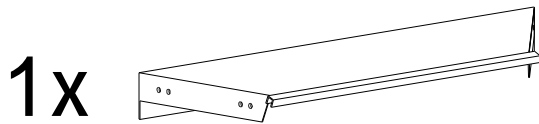
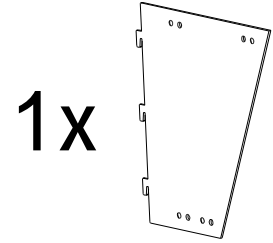
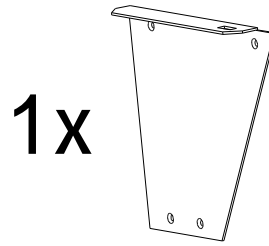
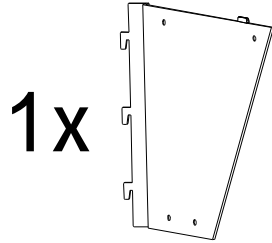
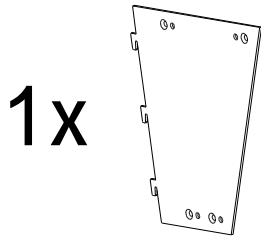


ASSEMBLY INSTRUCTIONS

www.shopforshops.com

AUG 2019

PARTS LIST

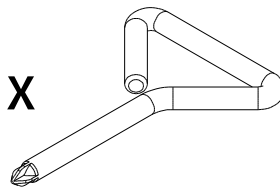


A

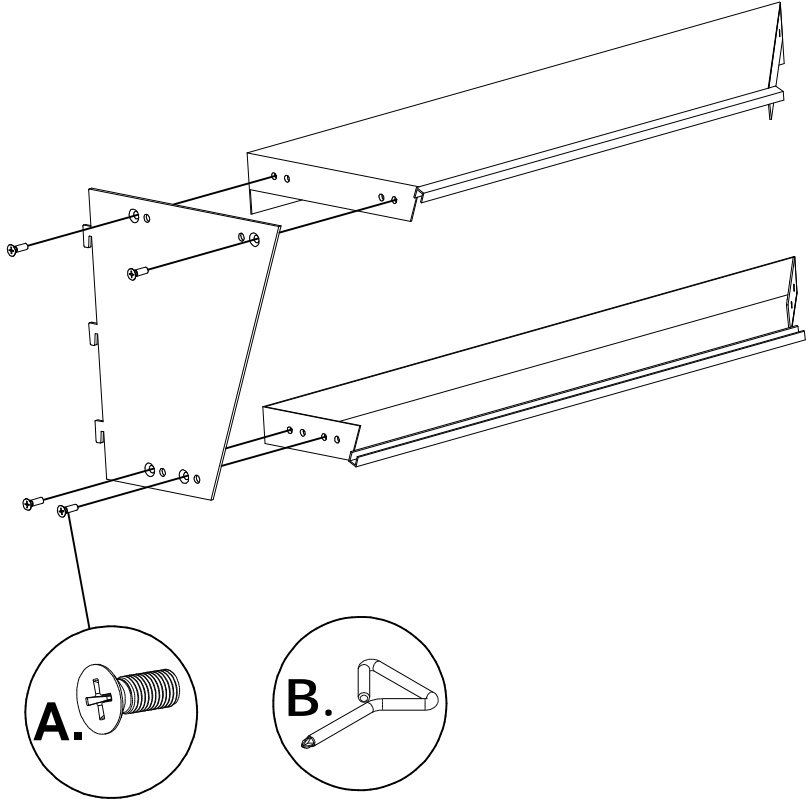
B



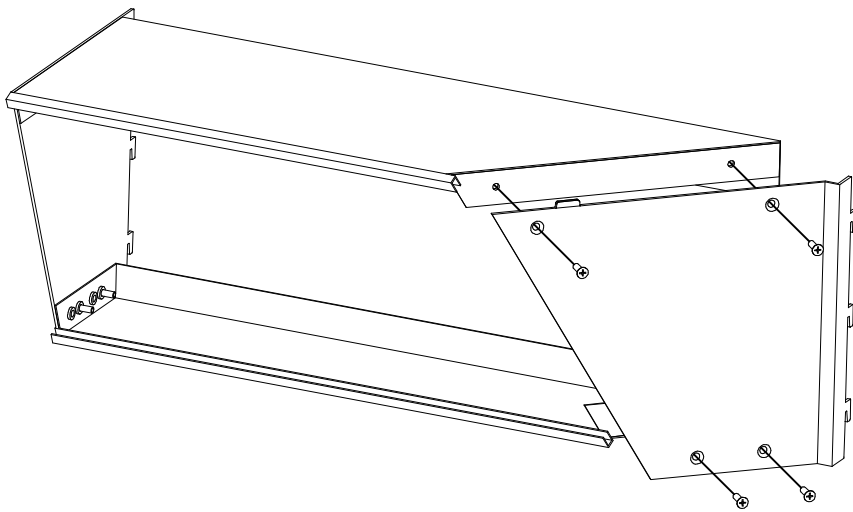
1 x



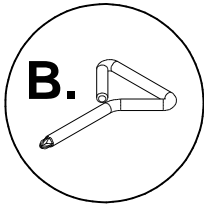
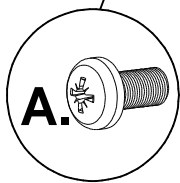
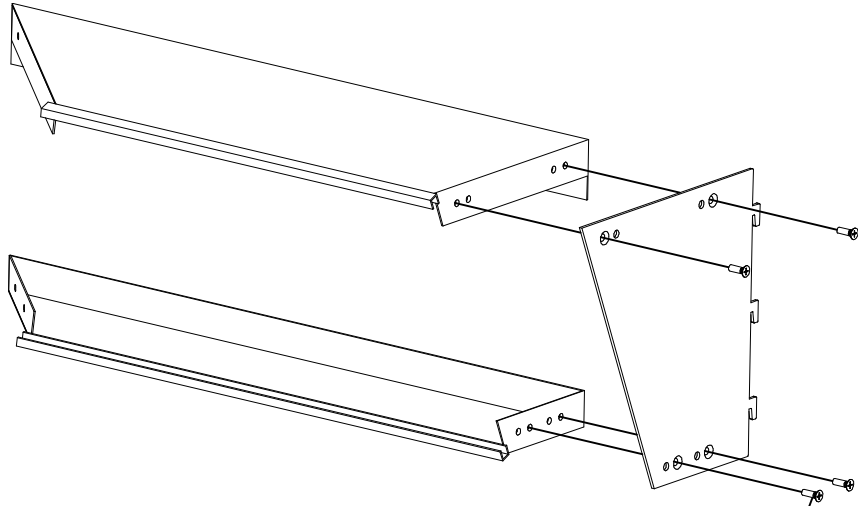
1



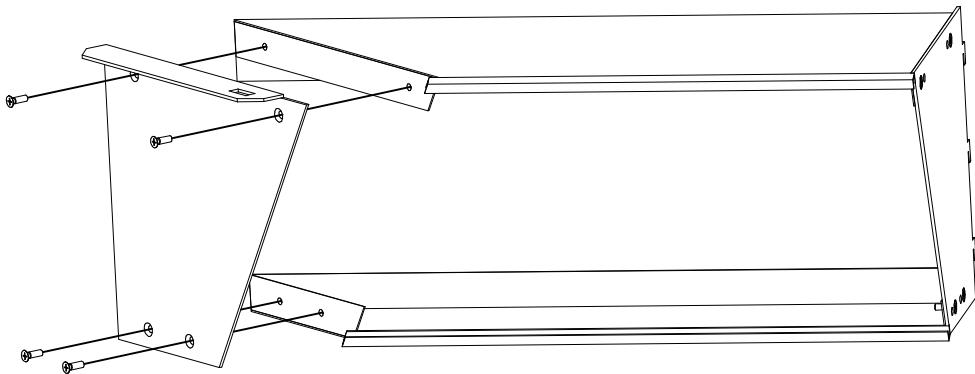
2



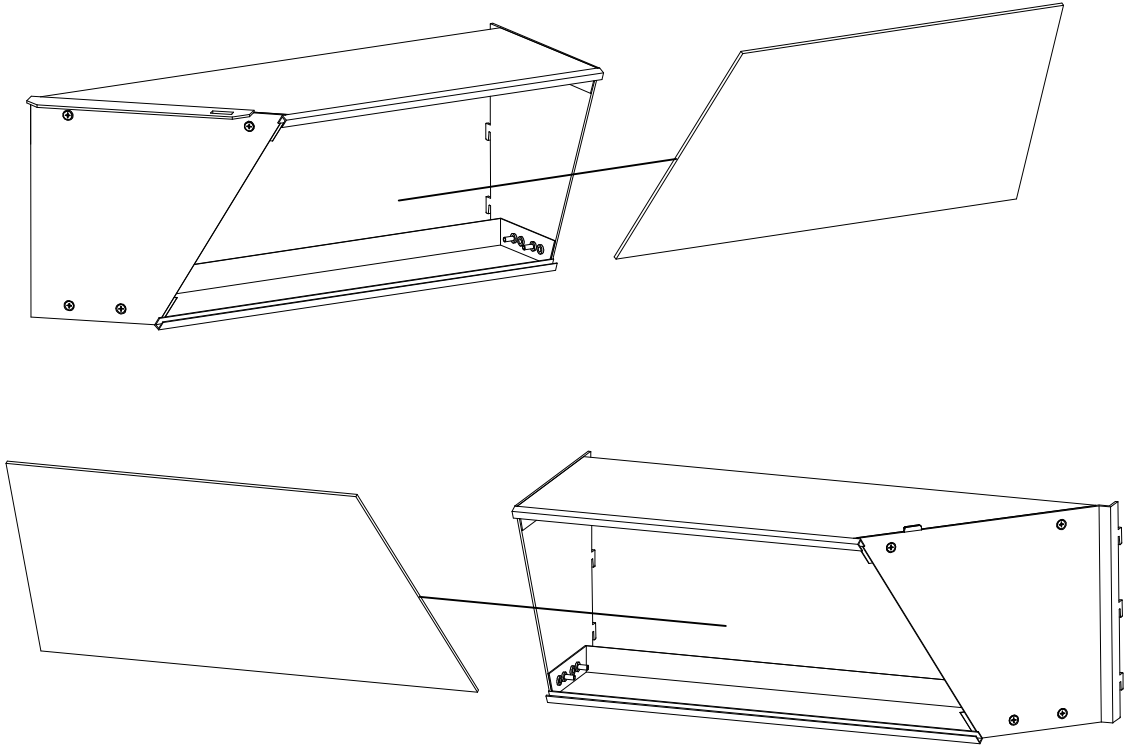
3



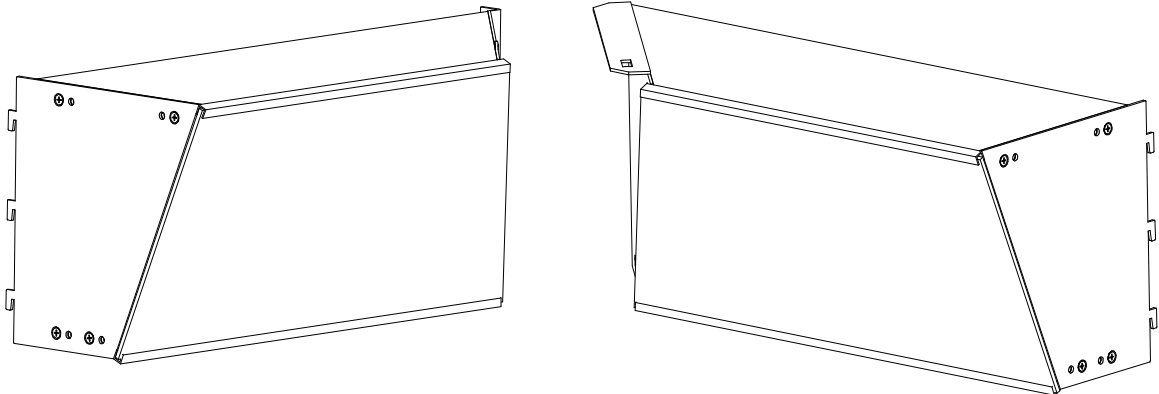
4



5



6



7

