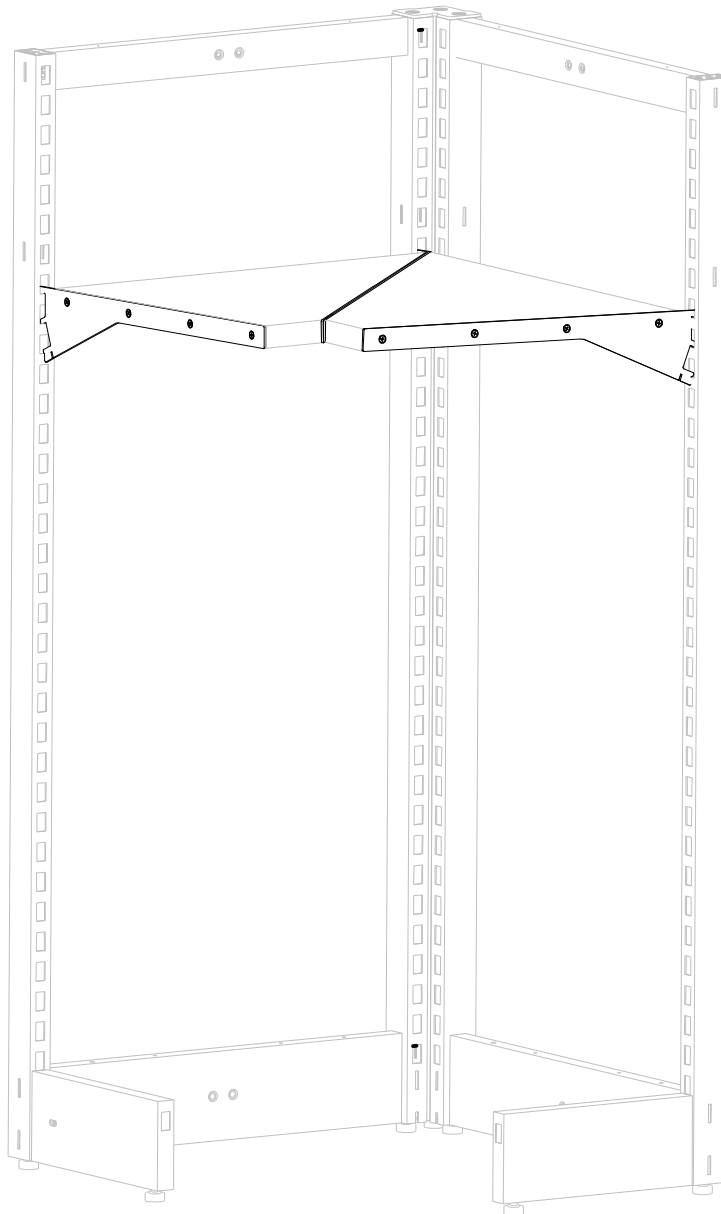


# MAXe CORNER BRACKET SET FOR 30 MM SHELF - 500 MM D

E6805CH BKS WTS

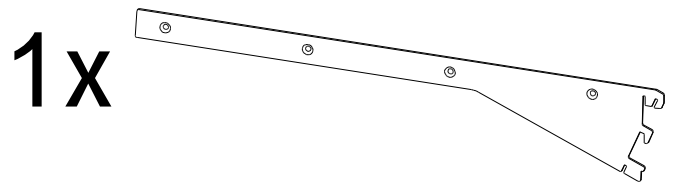
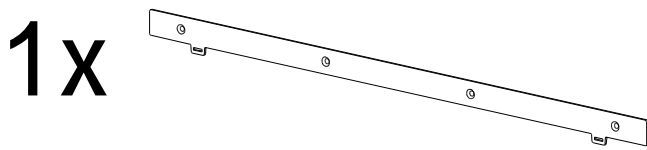
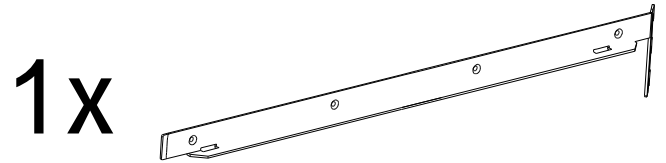
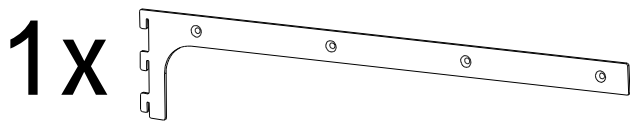


## ASSEMBLY INSTRUCTIONS

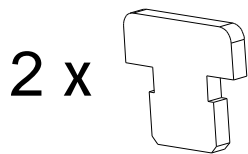
[www.shopforshops.com](http://www.shopforshops.com)

JUL 2019

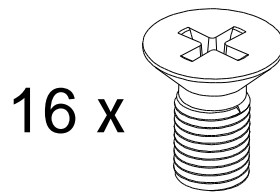
# PARTS LIST



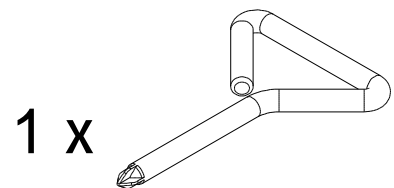
**A**



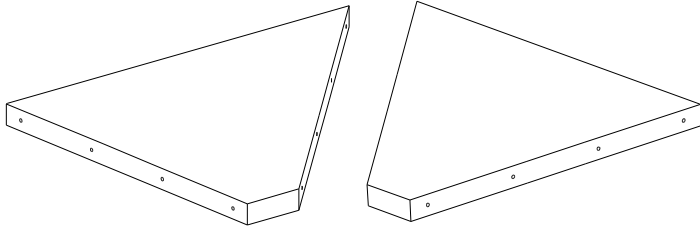
**B**



**C**

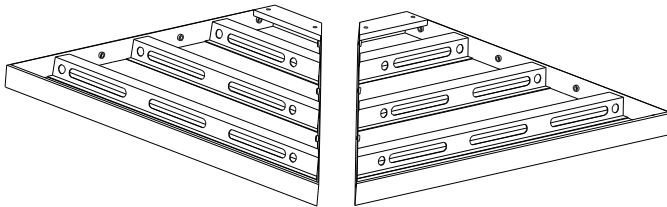


# 1

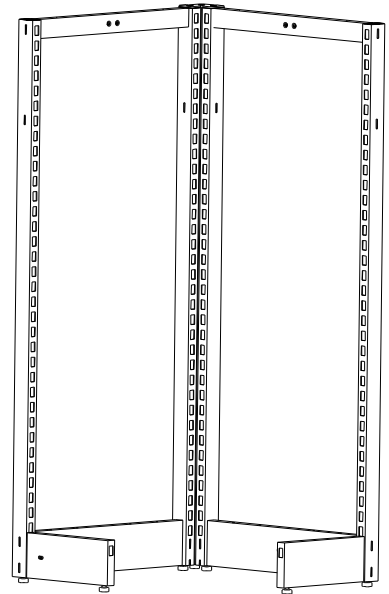


E6356

OR

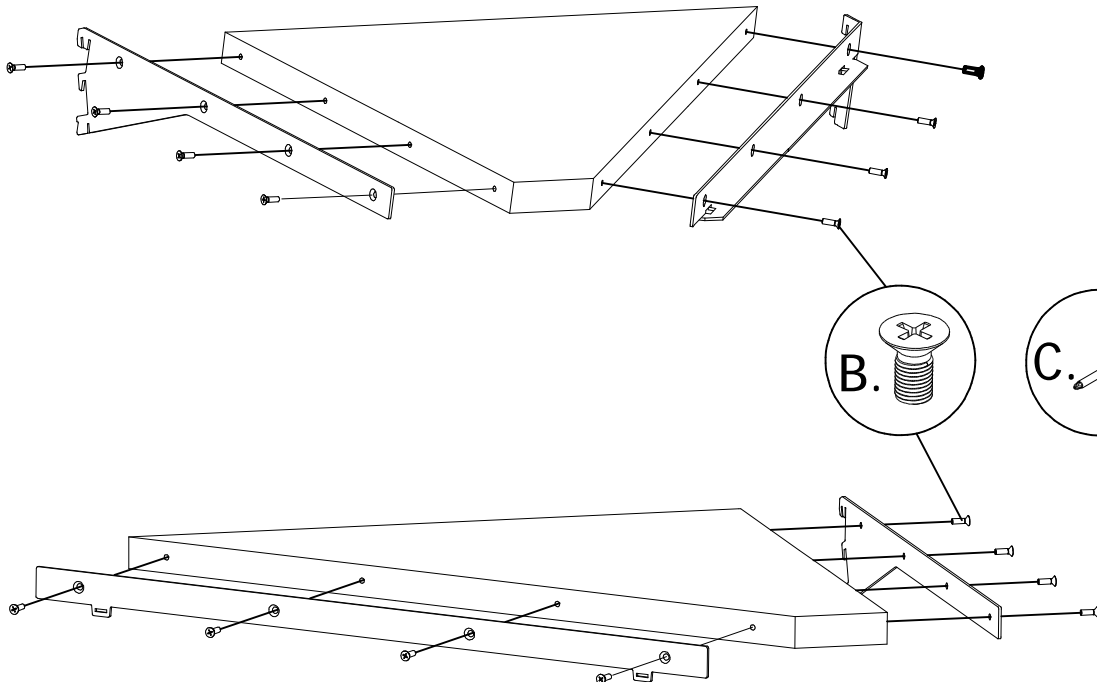


E7156

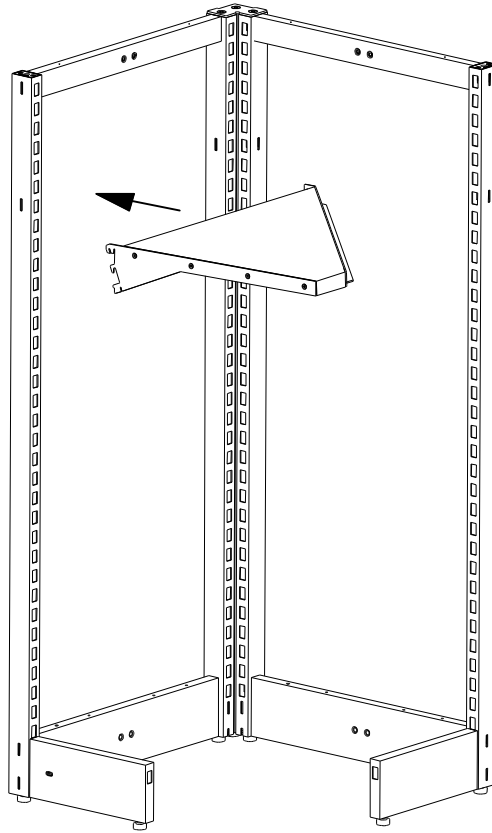


MAXe INSIDE CORNER SECTION

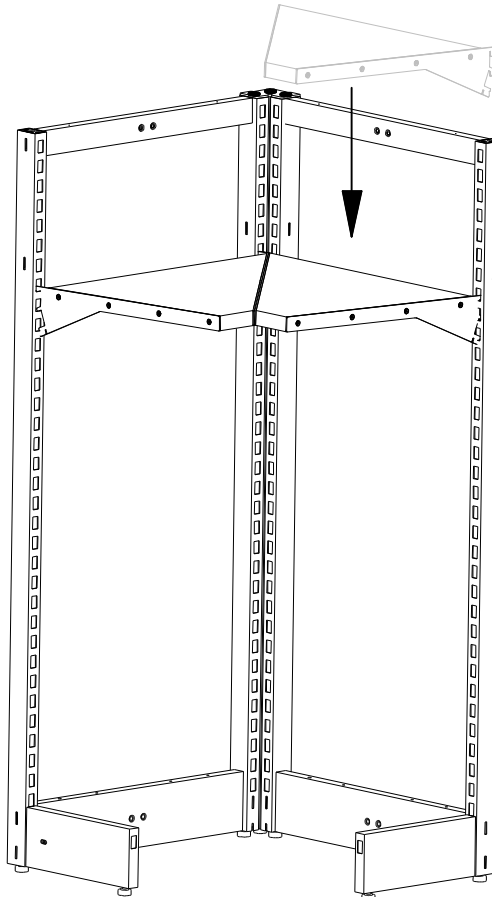
# 2



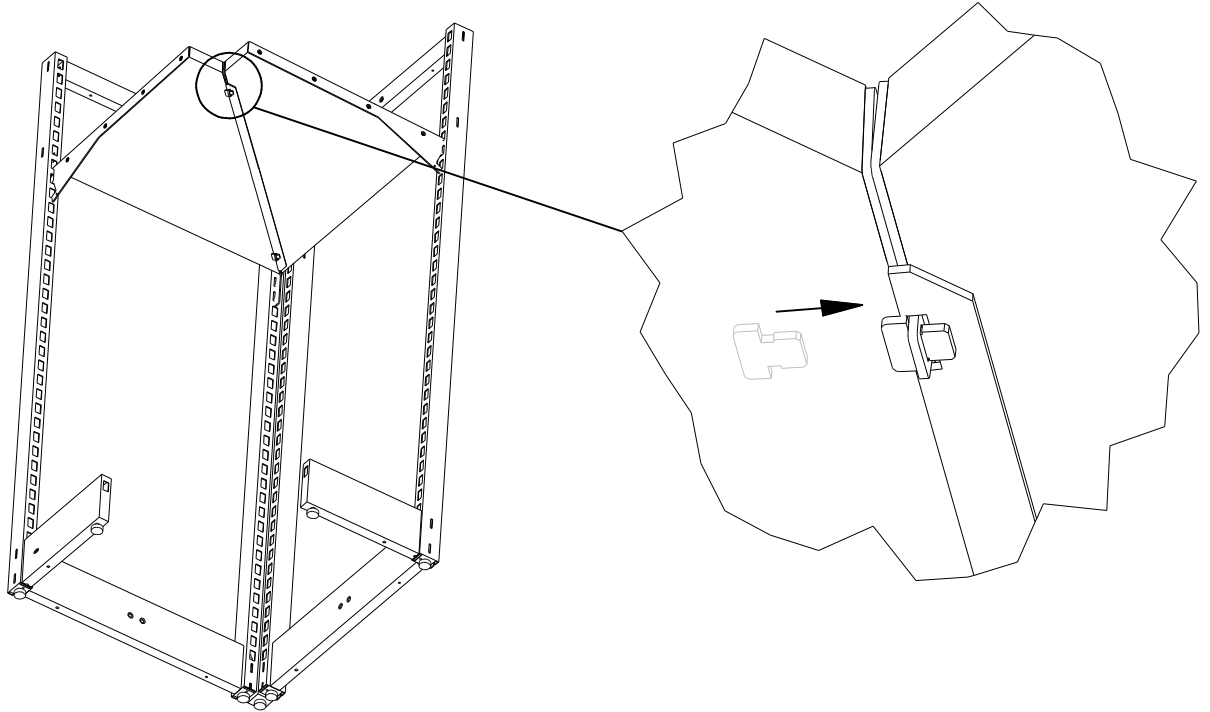
2



3



# 4



# 5

