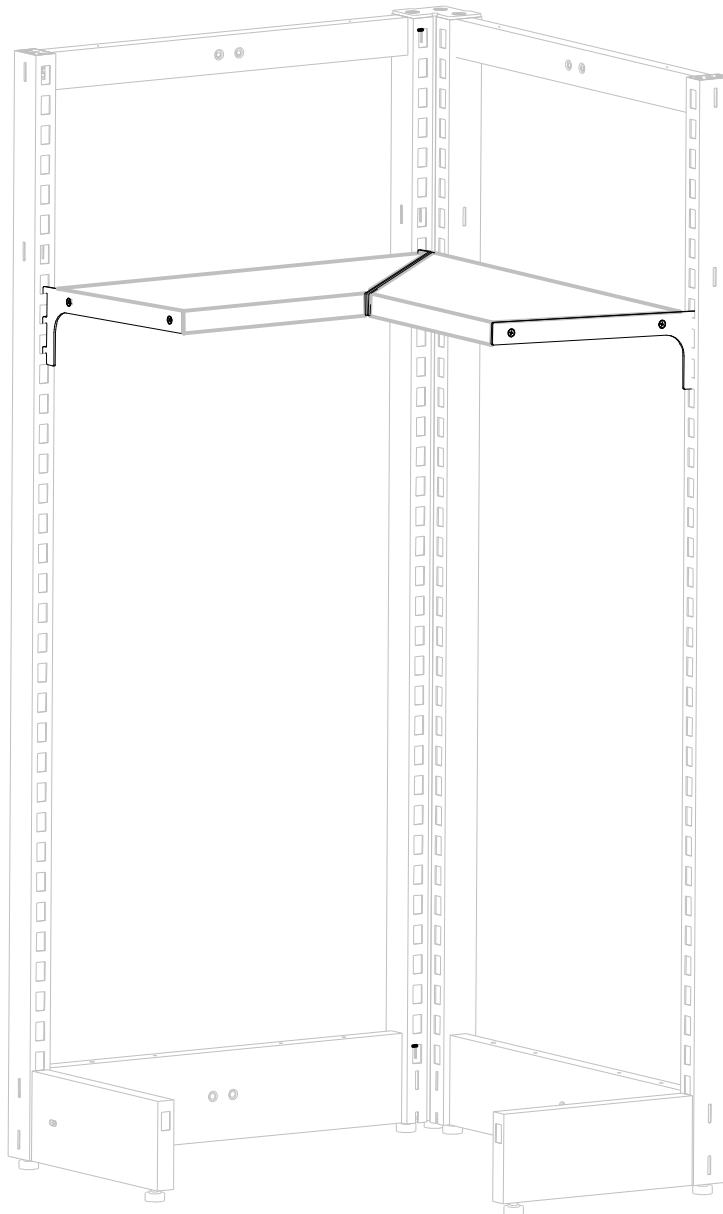


# MAXe CORNER BRACKET SET FOR 30 MM SHELF - 300 MM D

E6803CH BKS WTS

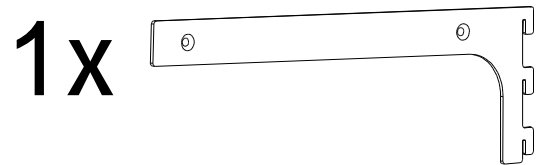
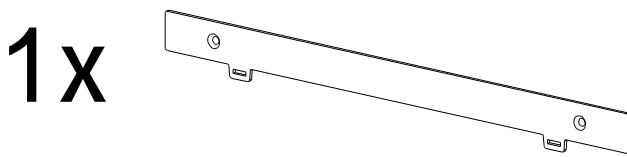
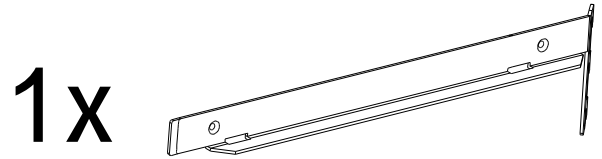
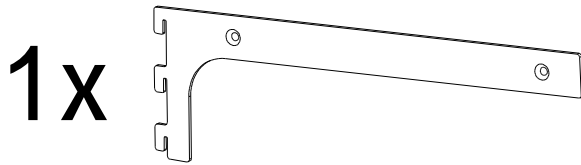


**ASSEMBLY INSTRUCTIONS**

[www.shopforshops.com](http://www.shopforshops.com)

JUL 2019

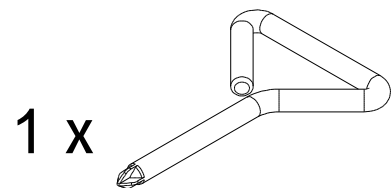
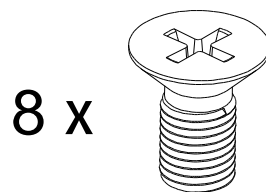
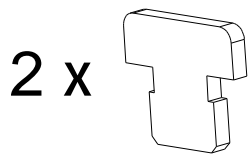
# PARTS LIST



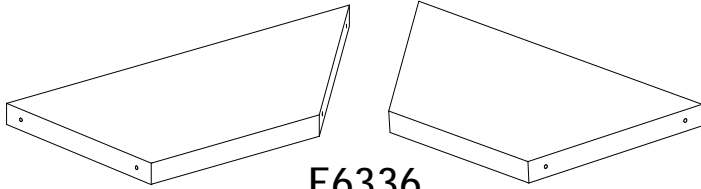
**A**

**B**

**C**

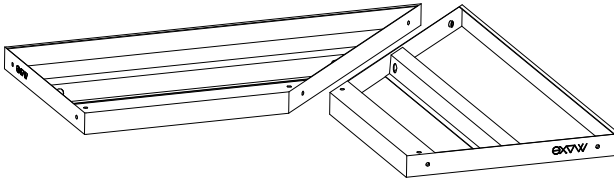


# 1

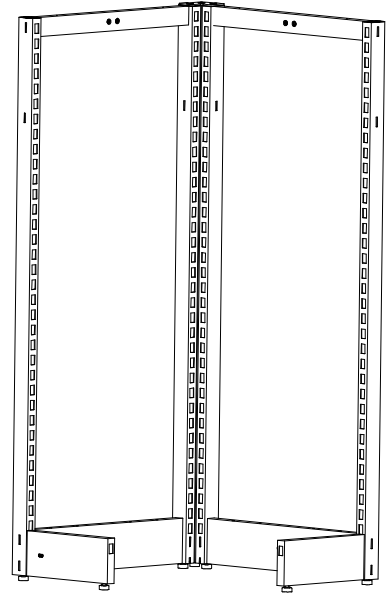


E6336

OR

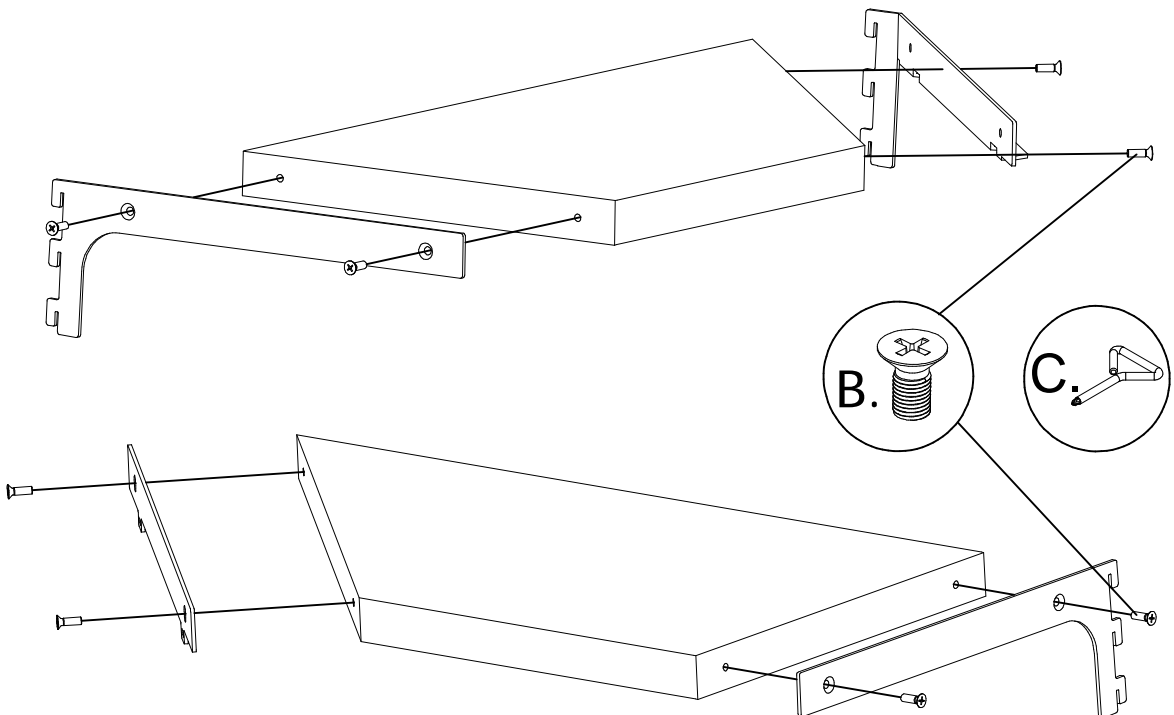


E7136

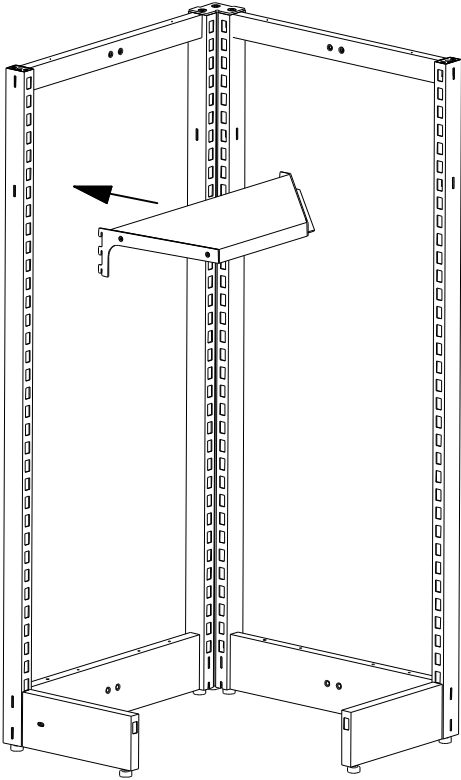


MAXe INSIDE CORNER SECTION

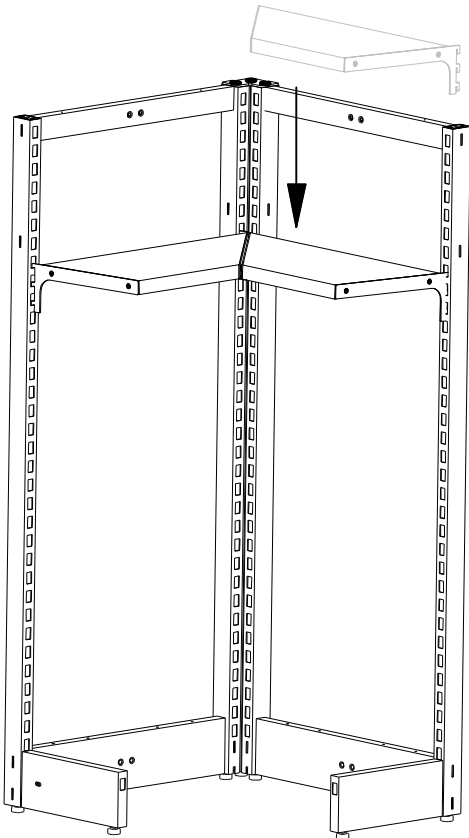
# 2



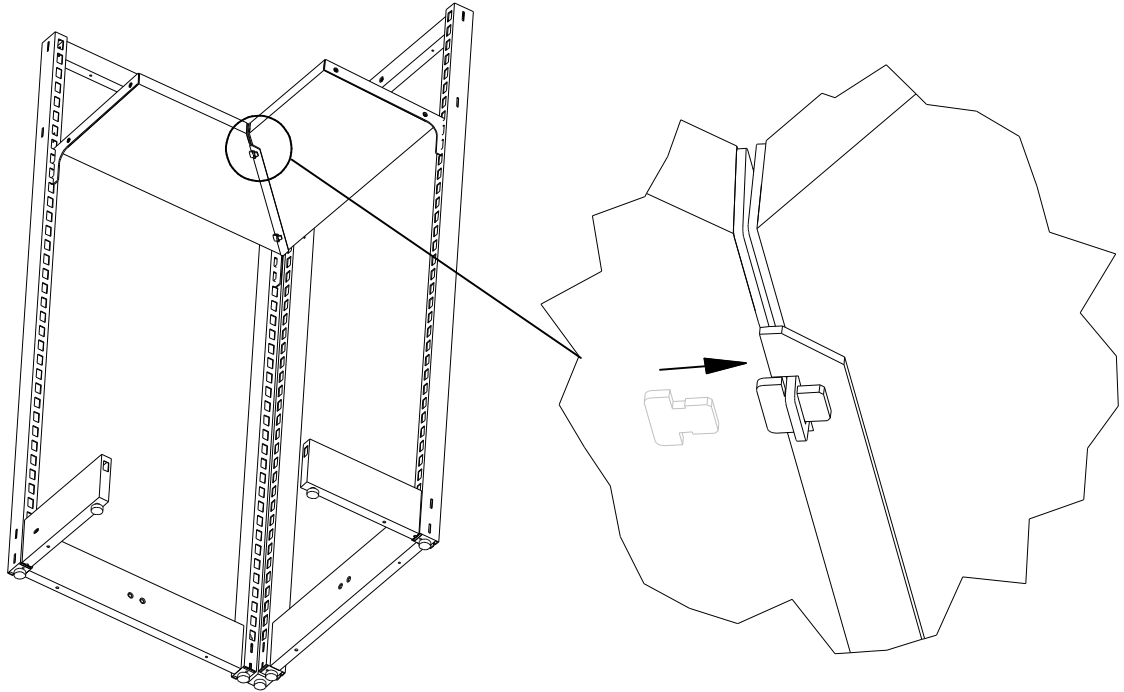
2



3



4



5

