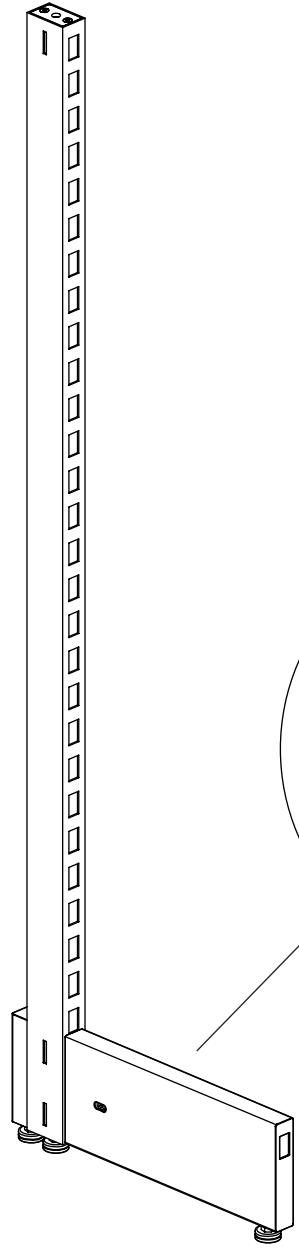


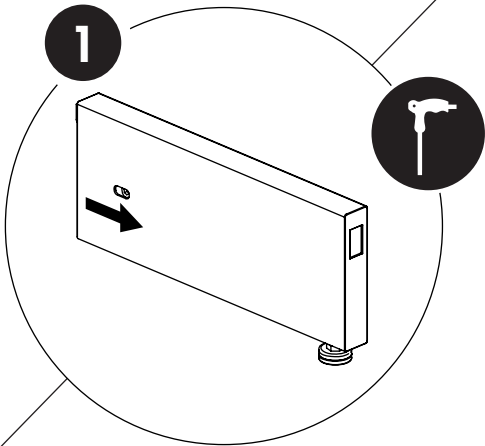
Feet & heels

Assembly instructions

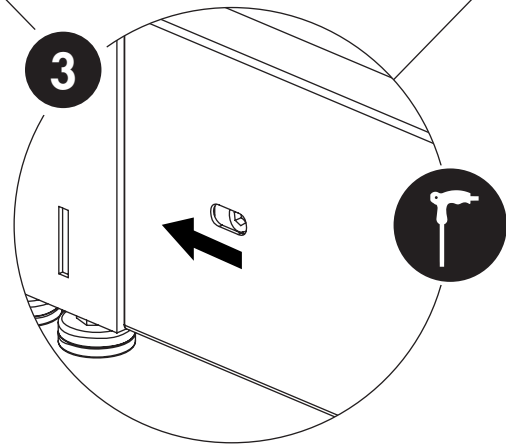
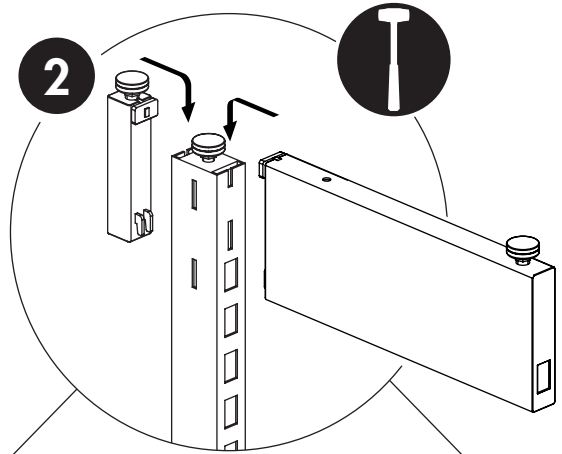
R1E0009.4WH-190730



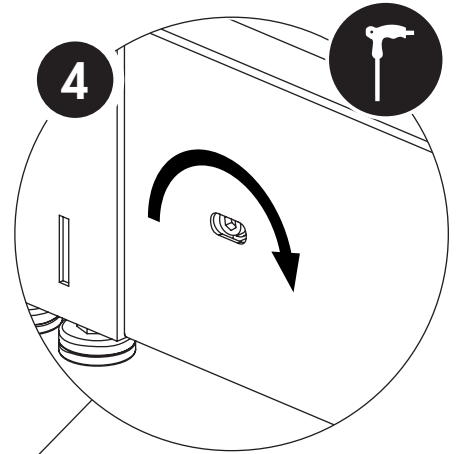
Position post with the underside visible, slide on the foot and heel until the base of the foot and heel are level with the bottom of the post. Use mallet to assist in easing foot into position.



Slide lock into foot using the turn-lock tool.



Slide lock into the post using the turn-lock tool.



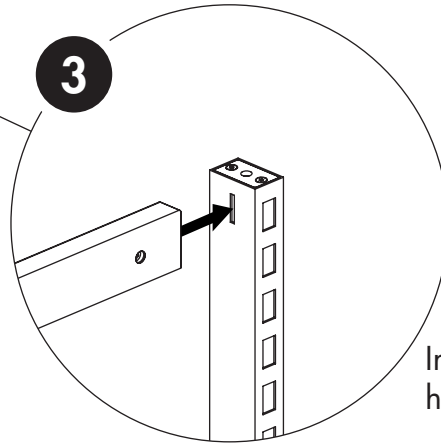
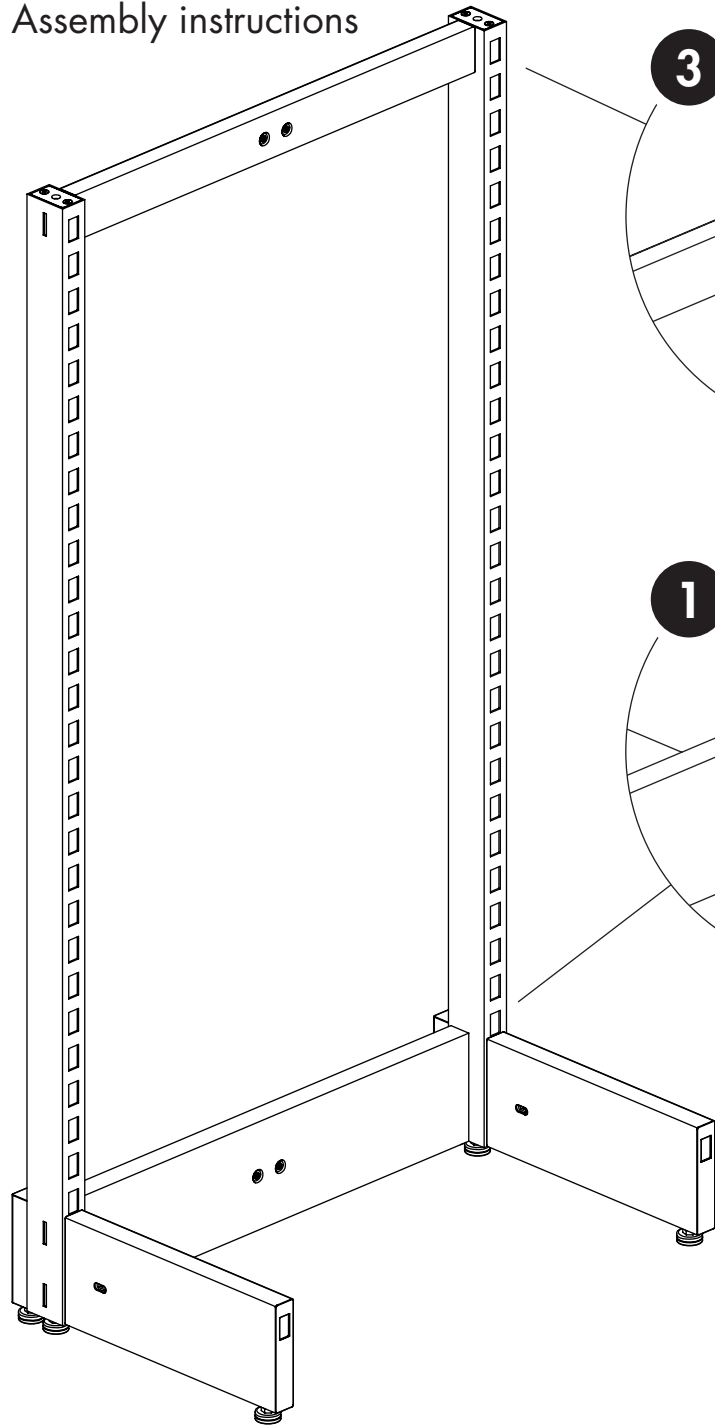
Turn the lock fully (180°) into the locked position.



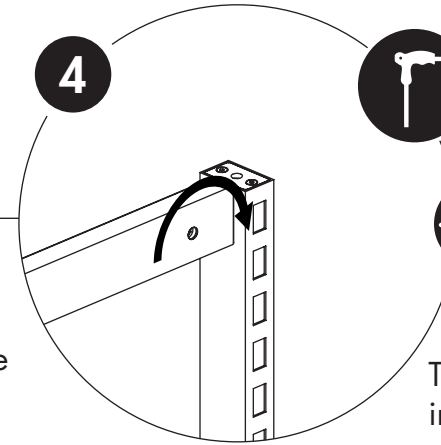
Joining rails

Assembly instructions

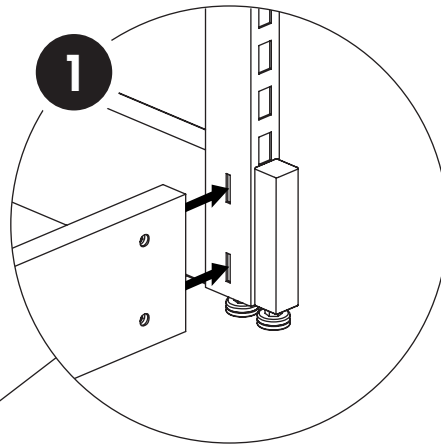
R1E0009.4WH-190730



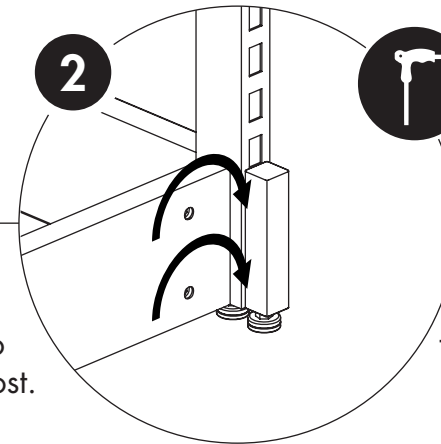
Insert the lock into the hole on the post.



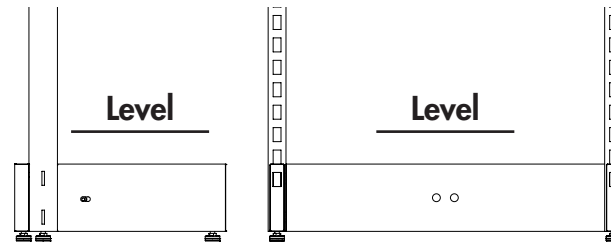
Turn the lock fully (180°) into the locked position.



Start with the base joining rail. Insert the locks into the holes on the post.



Turn the locks fully (180°) into the locked position.



Important

Ensure the glides under posts take load to the floor and the unit is level in all directions by adjusting the glides under posts, feet and heels.

