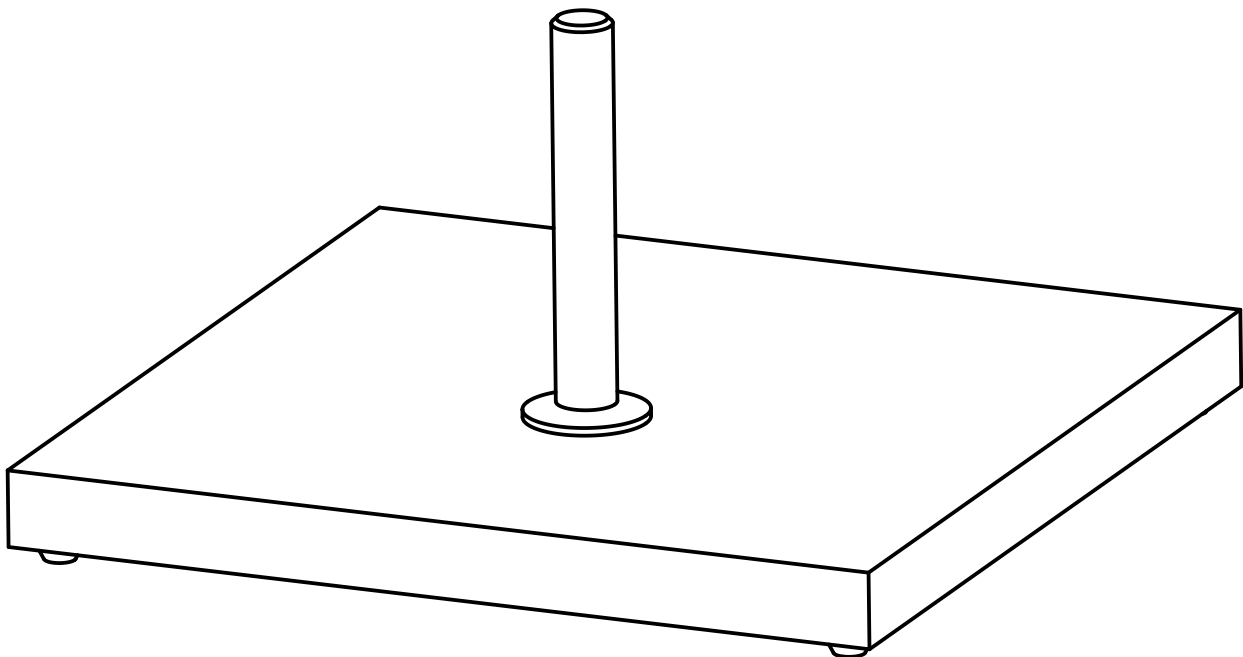


ASSEMBLY INSTRUCTIONS

BASE FOR TORSO OR BUSTS

B7602BH	BEECH
B7602BK	BLACK
B7602MH	MAHOGANY
B7602WE	WENGE
B7602WH	WHITE

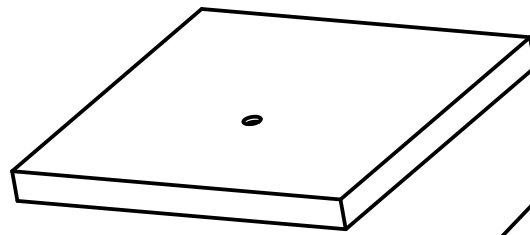


Telephone 03 9417 3592 Facsimile 03 9419 3476
Email sales@shopforshops.com
Website www.shopforshops.com

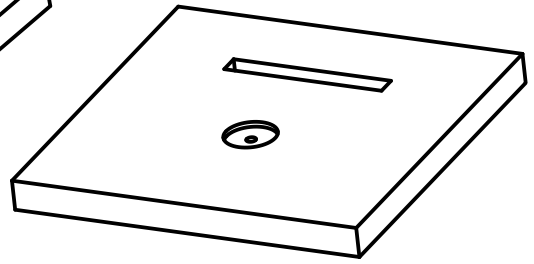
PARTS LIST

BASE FOR TORSO OR BUSTS

1 X base panel



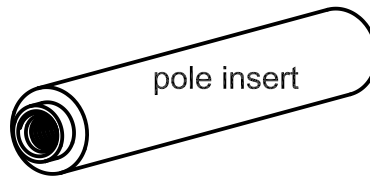
base panel



1 X top washer

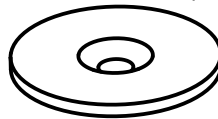


1 X pole insert

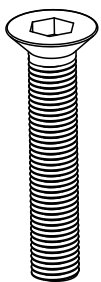


1 X bottom washer

bottom washer(one side with countersunk)



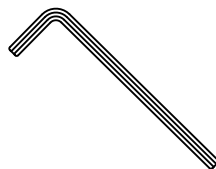
A.



B.



C.



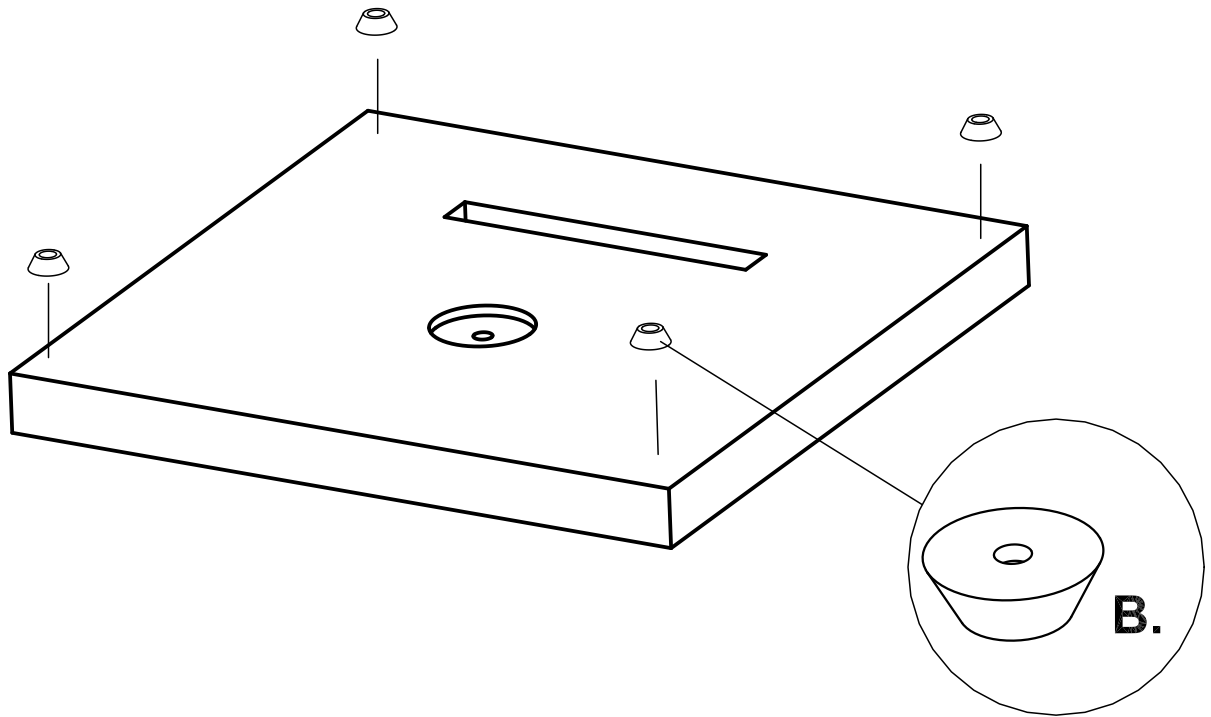
A. 1 X M8x45 (4MM HEX DRIVE COUNTER SETSCREW)

B. 5 X plastic foot (one for backup)

C. 1 X allen key

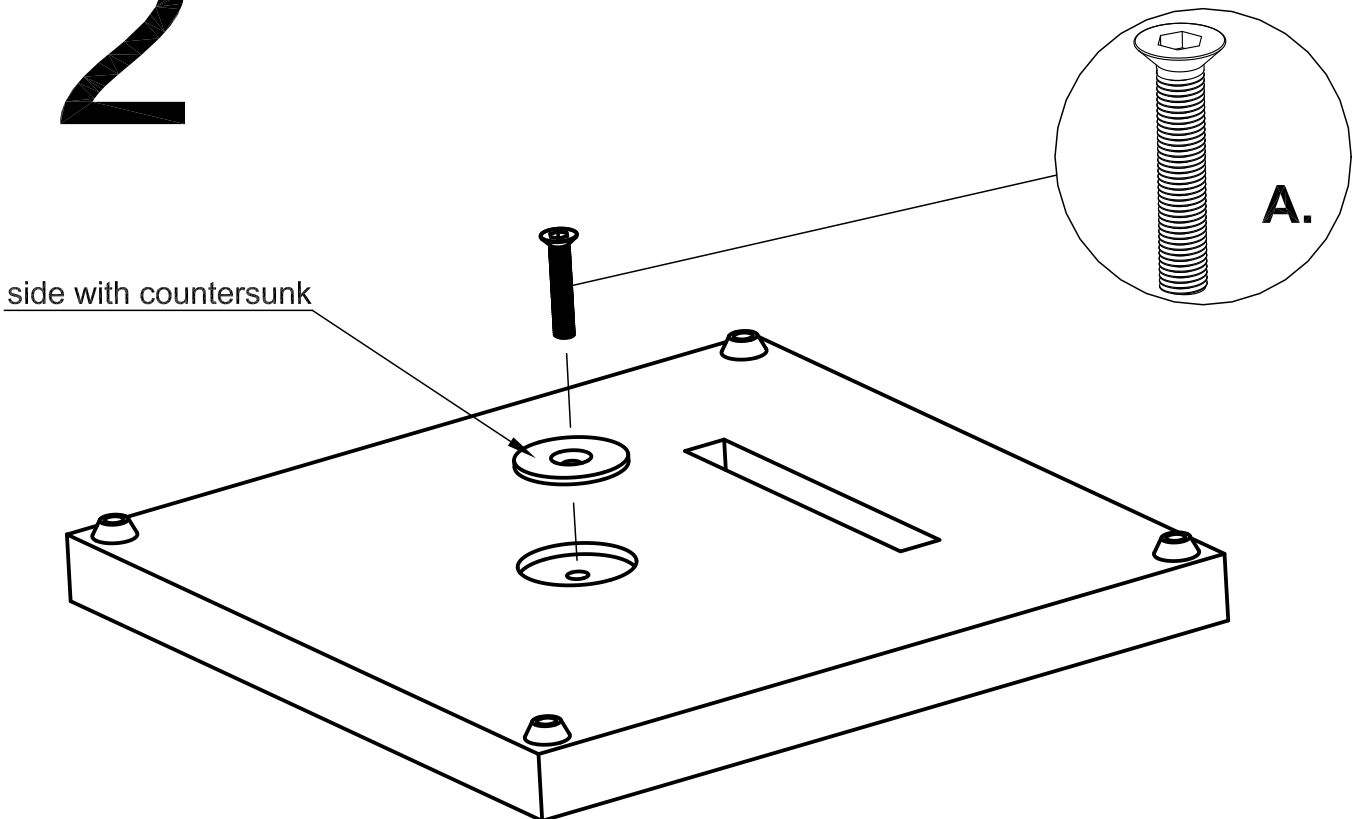
1

Install 4 X plastic foot into base(bottom).



2

Install 1 X connecting bolts and bottom washer into base panel



3

Install pole insert and top washer into base panel.

