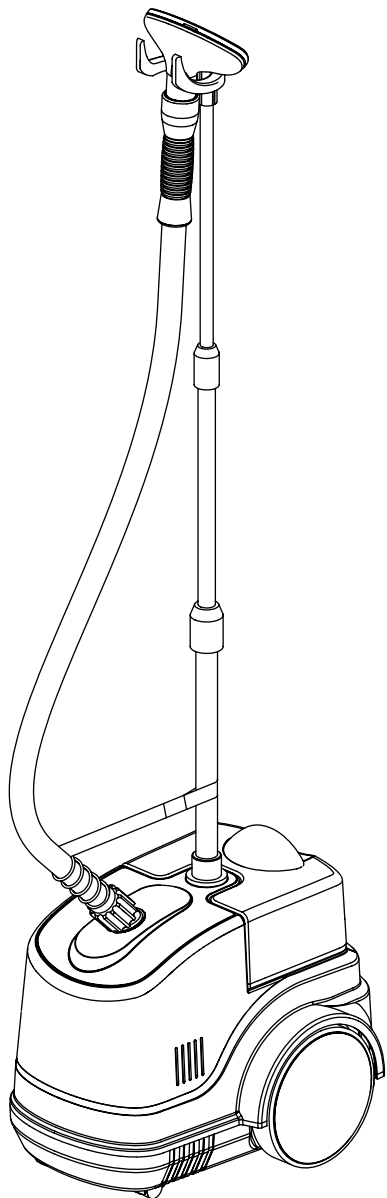


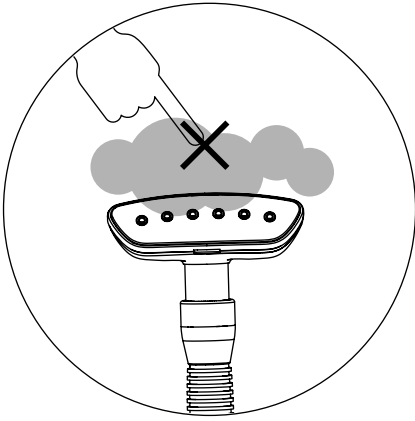
Professional steamer assembly instructions

A6280

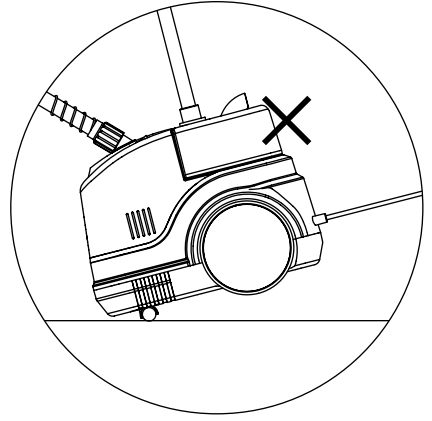


Can we help? Call us on 1300 11 SHOP

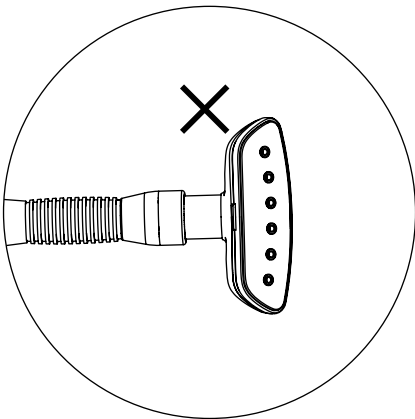
Steam can burn! Read instructions before use.



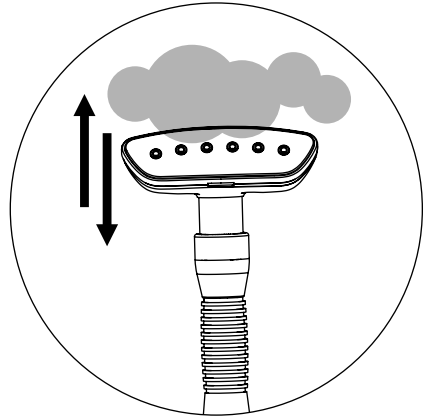
Do not point nozzle at people or touch hot points.
Keep away from children.



Do not carry or tilt machine while in use.



Keep nozzle upright.



Steam only in an up and down vertical motion.

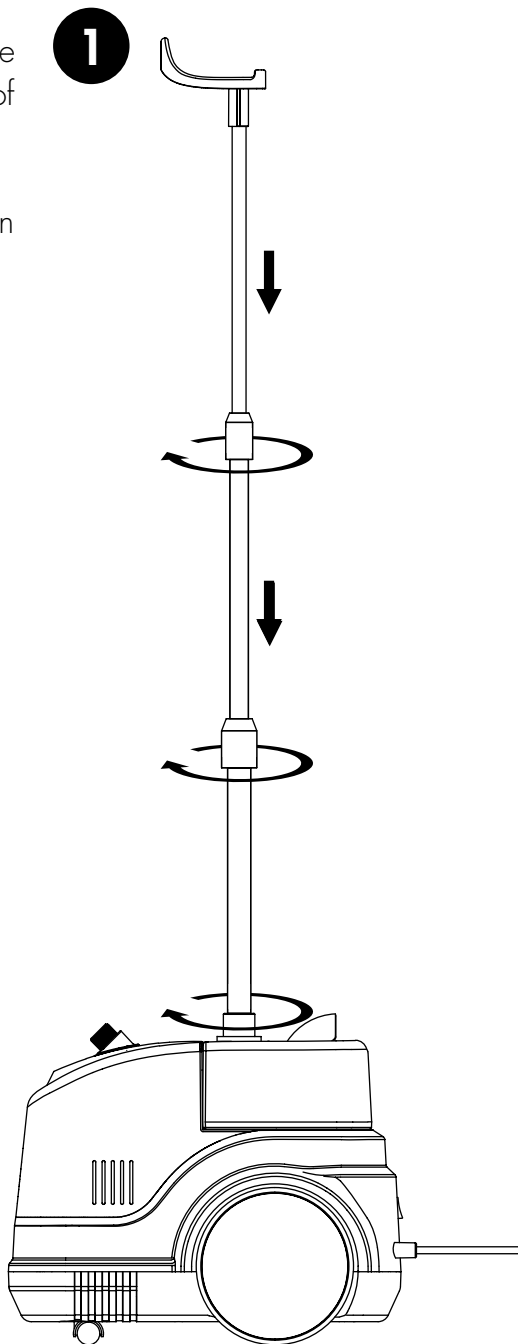
Important

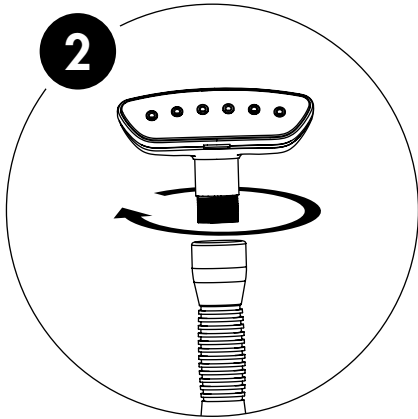
- 1** Do not leave hose on floor.
- 2** Do not leave the machine unattended when switched on.
- 3** Disconnect power supply to remove and refill.
- 4** Do not allow steamer to run dry.
- 5** Disconnect power supply and empty water after use.
- 6** Use only cool tap water and do not overfill.
- 7** Do not use near smoke alarms.
- 8** Do not dismantle or store away while still hot.
- 9** Indoor use only.
- 10** Do not kink hose especially while in use as it will melt the hose.
- 11** Keep away from children.

Assembly

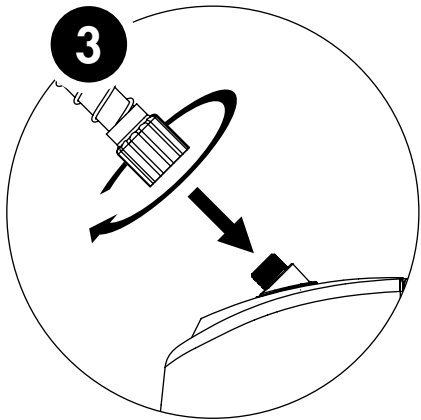
If supplied with a handle, remove the handle after taking the steamer out of the packaging.

Fasten the hook and the three section post.

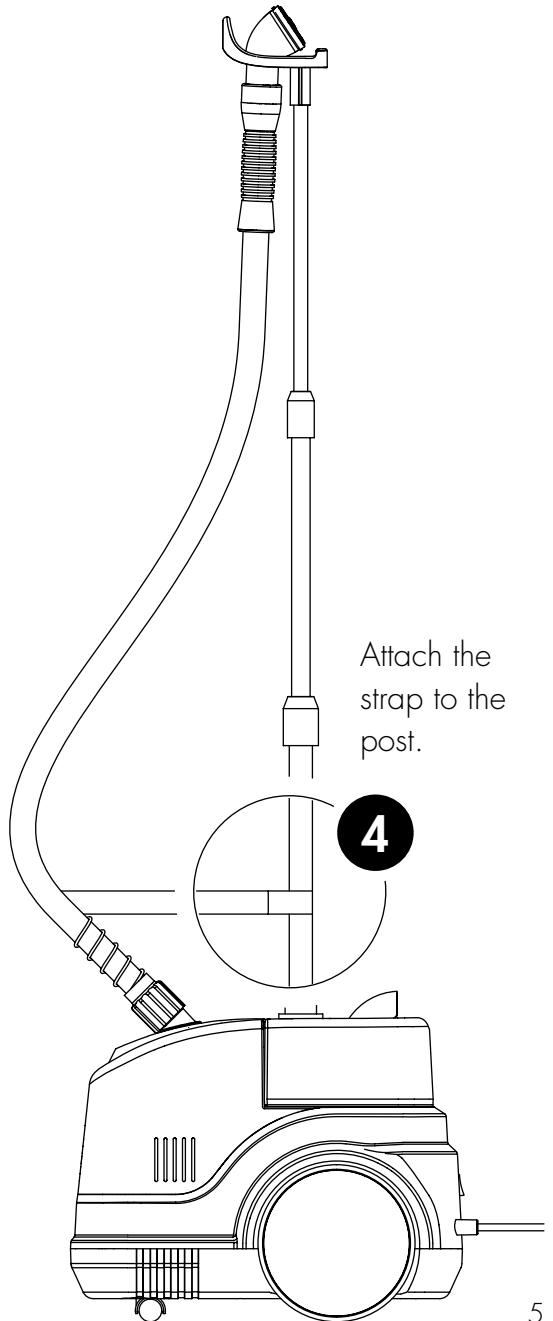




Screw the steamer head to the hose.



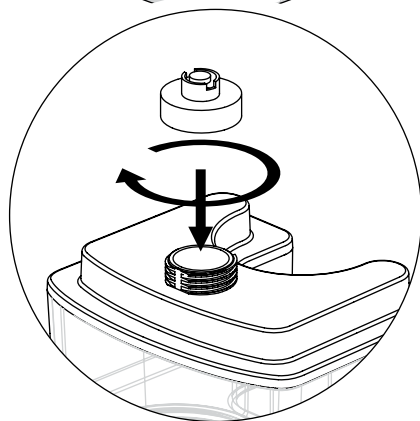
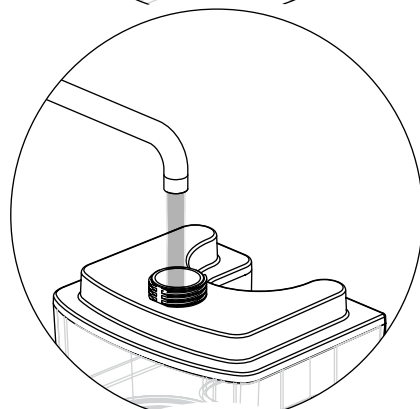
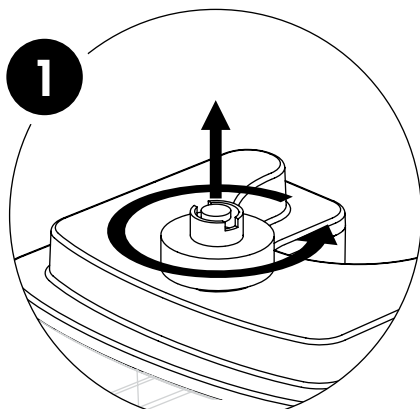
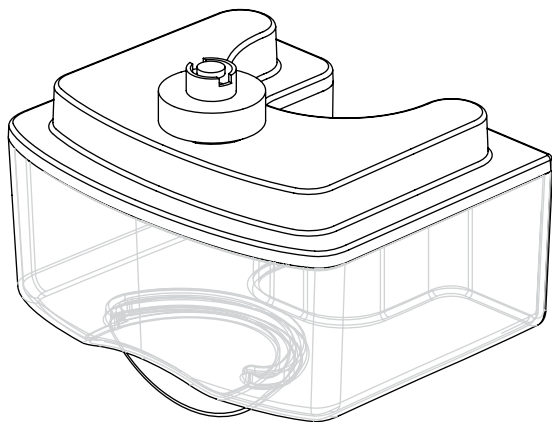
Fasten the hose to the machine and slide the sleeve over the connection.

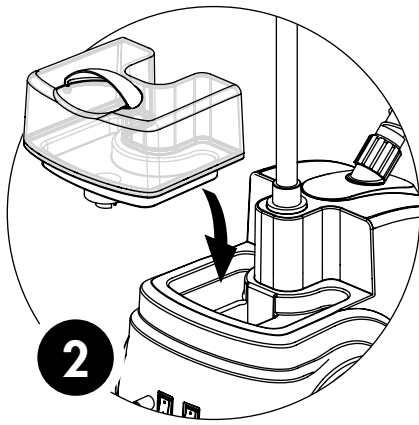


Attach the strap to the post.

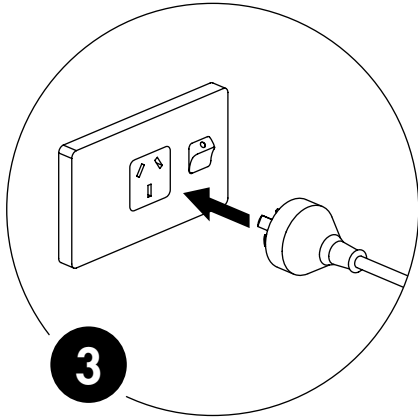
Operating instructions

Remove container from steamer and fill with water.

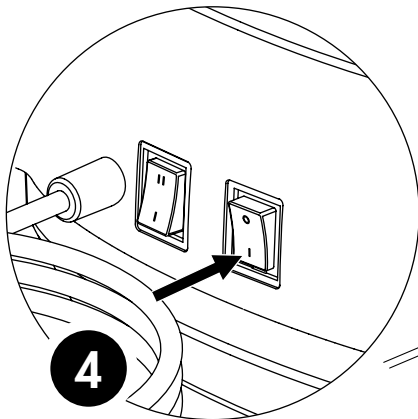




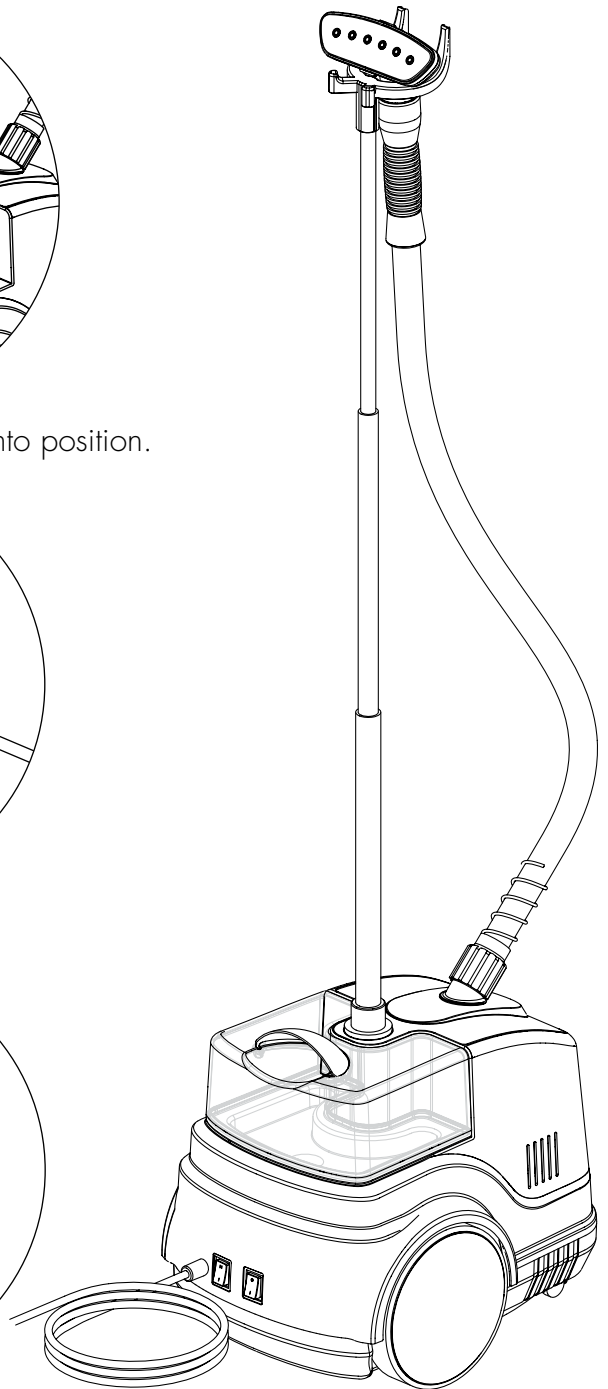
Place water container into position.



Plug in to power outlet.

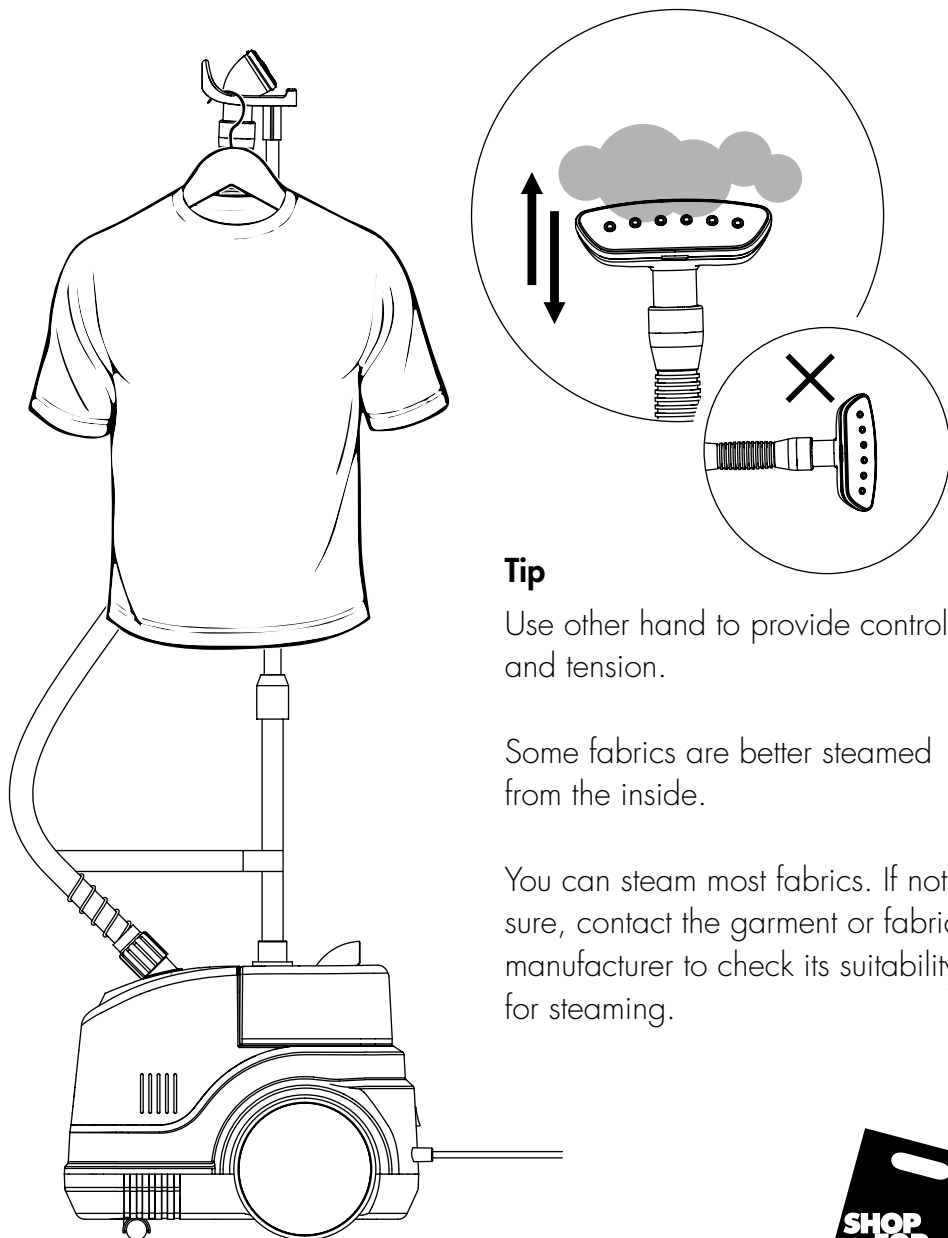


Turn on by switching 'I/O' button to 'I' position.
For maximum steam strength, set 'I/II' to 'II'.



Steaming

When switched on, steam will flow within around one minute. Run nozzle over fabric in an up and down vertical motion while keeping the nozzle upright.



Tip

Use other hand to provide control and tension.

Some fabrics are better steamed from the inside.

You can steam most fabrics. If not sure, contact the garment or fabric manufacturer to check its suitability for steaming.