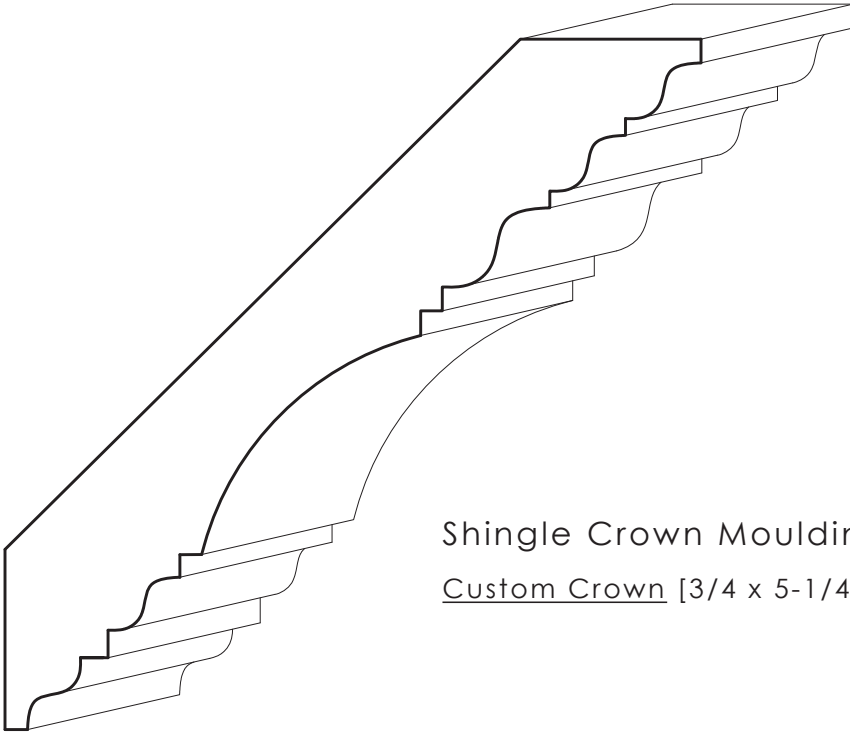
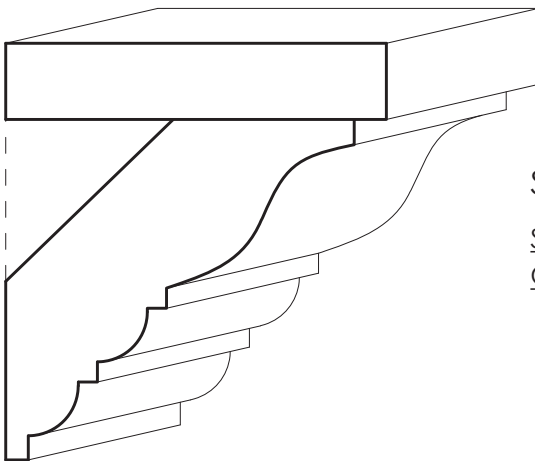


MOULDINGS ONE



Shingle Crown Moulding

Custom Crown [3/4 x 5-1/4]



Shingle Crown

S4S [7/16 x 2]

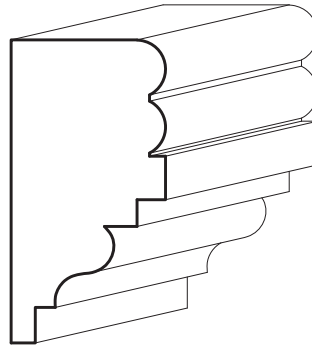
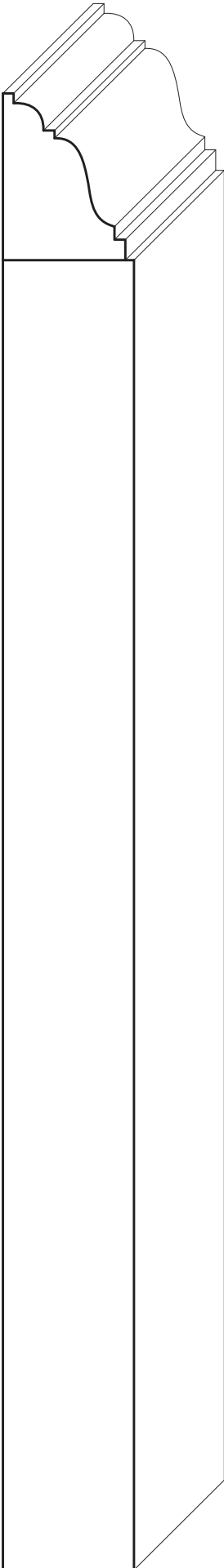
Custom Crown [3/4 x 2-1/2]

Wood Combination - Shingle

13851 STATION ROAD, MIDDLEFIELD, OHIO 44062
P. 440-834-3420 OR 1-877-708-4095 E. SALES@MOULDINGSONE.COM
HOURS: MON.-FRI. 8AM-4:30PM, SAT. 8AM-12NOON
www.mouldingsone.com

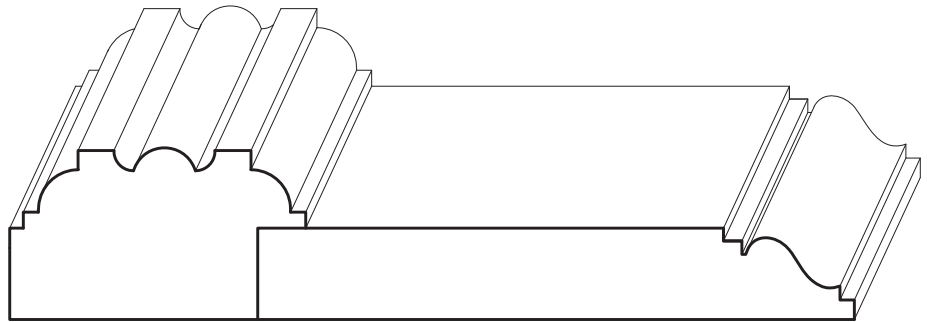
CALL OR EMAIL TO REQUEST A QUOTE

MOULDINGS ONE



Shingle Panel Mold

Custom Panel Mold [11/16 x 1-9/16]



Shingle Casing

Custom Backband [7/8 x 1-1/2]

Custom Casing [1/2 x 3-1/8]

Shingle Baseboard

Custom Base Cap [3/4 x 1-1/16]

S4S [13/16 x 11-9/16]

Wood Combination - Shingle

13851 STATION ROAD, MIDDLEFIELD, OHIO 44062

P. 440-834-3420 OR 1-877-708-4095 E. SALES@MOULDINGSONE.COM

HOURS: MON.-FRI. 8AM-4:30PM, SAT. 8AM-12NOON

www.mouldingsone.com

CALL OR EMAIL TO REQUEST A QUOTE