



## Versatile/Portable Cartridge (V-Series) Dust Collectors



ENGINEERING YOUR SUCCESS.



## ALL-PURPOSE DUST COLLECTOR

If you're looking for a versatile, cost-effective alternative for eliminating fumes and dust in your factory, look no further than Parker V Series. This innovative cartridge dust collection system is specifically designed to capture the smoke, dust and powders that result from a variety of manufacturing operations. With a choice of two compact, low-profile sizes—750 or 1,500 CFM—the V Series truly is the most economical solution for cleaner factory air.



Model VP-1500 (Portable)

---

## IMPROVES PRODUCTIVITY AND REDUCES MAINTENANCE

The V Series is available in three configurations: an integrated downdraft bench, a portable unit with swing arm and a free standing system. Installation is simple, requiring an electrical connection and a compressed air connection for the in-place cleaning option. Most importantly, because the V Series removes dangerous contaminants that can cause respiratory problems, it helps your factory comply with OSHA regulations and may reduce lost work time. Plus, it prevents dusts from building up within the workspace and migrating to areas with sensitive electrical and mechanical equipment—reducing facility maintenance and housekeeping, too.





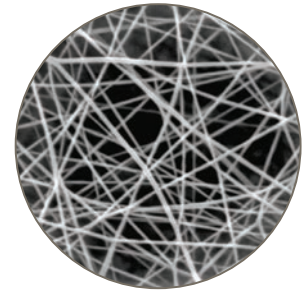
# A WIDE RANGE OF APPLICATIONS

The versatile and compact V Series is ideal for applications including:

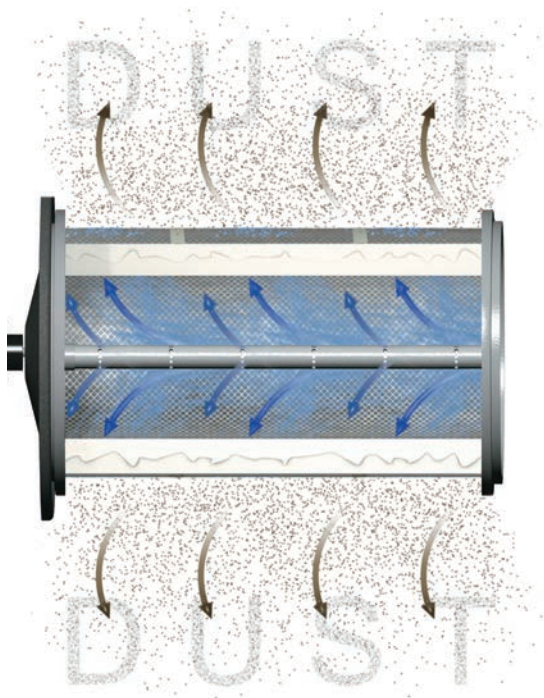
- Metalworking
- Buffing
- Grinding
- Polishing
- Blending
- Filling
- Material Handling
- Packaging
- Screening
- Weighing
- Finishing
- Sanding
- Sawing

## ADVANCED NANOFIBER CARTRIDGE FILTERS

All V Series dust collectors come with the industry's best performing, most efficient standard cartridge filter. Certified at \*MERV 15, Parkers Advanced Nanofiber cartridge filters last 50% longer than 80/20 filters, and provide effective sub-micron particle removal. What makes Parker filters unique is that they feature a surface treatment of synthetic fibers that traps particulate before it can embed deep into the filter media. This filter surface-loading characteristic provides cleaner air, lower pressure drop and greater energy savings.



Advanced Nanofiber Filtration Technology at 10,000x



## STANDARD FEATURES

- Available with a high-efficiency Advanced Nanofiber cartridge filter.
- Auto-cleaning function automatically cleans filter after unit is shut off.
- Unique acoustic sound attenuation ensures quiet operation below 82 dBA.
- Assembled system is ready for use.
- Fast, tool-free filter change-out for easy inspection and maintenance.
- Powder coated finish on all components prevents fading and chalking.
- Large-capacity dust drawer offers easy dust removal and disposal.
- Pressure gage indicates when filter requires replacement.

\* The MERV (Minimum Efficiency Reporting Value) system is based on ASHRAE Standard 52.2-1999 and has been deemed the most accurate scale for determining a cartridge filter's efficiency and ability to filter submicron dust particles. Parker' MERV 15 efficiency has been tested per this standard and certified by independent lab testing.



# DOWNDRAFT BENCH

Models VB-750 and VB-1500\*

The V Series downdraft bench is specifically designed for applications where workers need an integrated collection area and work surface that also draws contaminants away from the worker's breathing zone. Model VB is ideal for grinding and finishing operations of small parts and components.

## Available Options

- Scratch-resistant and metallic grill work surfaces
- 5" casters for increased mobility
- HEPA filter (3 HP units only)
- Carbon after-filter
- Stainless-steel construction

Heavy-duty work surface supports up to 75 lb/sq ft.

Side wings and back panels can be easily removed to accommodate larger work pieces.

Ergonomically designed for operator comfort.

Even air distribution provides effective dust control over the entire work surface.



VB-1500

Dust drawer release for easy removal.

\* We also offer a 2,500 cfm downdraft bench with larger work surface. Ask about model SDB.



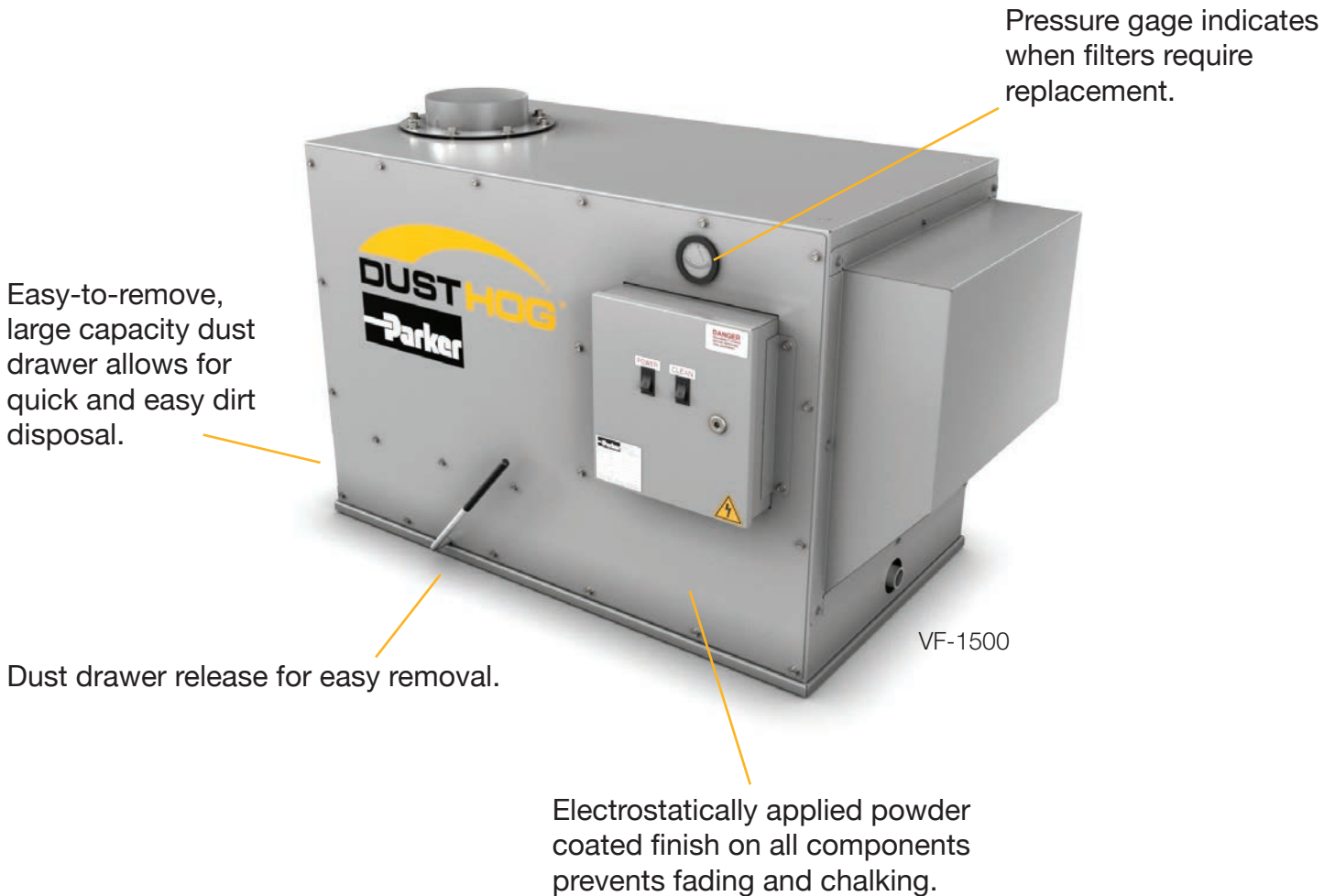
# SELF-CONTAINED SYSTEM

Models VF-750 and VF-1500

Serving as the airflow and filtration source for an entire system, this self-contained system is the perfect choice for economical and efficient dust collection. Ideal for ducted operation, the VF system's small cabinet makes it easy to position close to the dust source or position above the floor on a mezzanine—saving valuable floor space.

## Available Options

- 5" casters for increased mobility
- HEPA filter (3 HP units only)
- Carbon after-filter
- Stainless-steel construction







# PORTABLE SYSTEM

Models VP-750 and VP-1500

The V Series portable dust collector is ideal for applications where large pick-up hoods are impractical, where dust and smoke-producing machinery is used intermittently and where employees move from one work station to another. By positioning the swing arm and hood directly over the smoke or dust, Model VP removes harmful contaminants before they enter a worker's breathing zone.

High-quality swing arm features unique hood design for superior fume collection.

Low-profile cabinet provides low center of gravity for easy maneuverability and arm positioning.

Durable 5" casters provide excellent system mobility.

## Available Options

- 7', 10' and 12' long industrial swing arms
- HEPA filter (3 HP units only)
- Carbon after-filter
- Stainless-steel construction
- Integrated flow damper inside the extraction arm



Easy-access handle offers convenient factory portability.

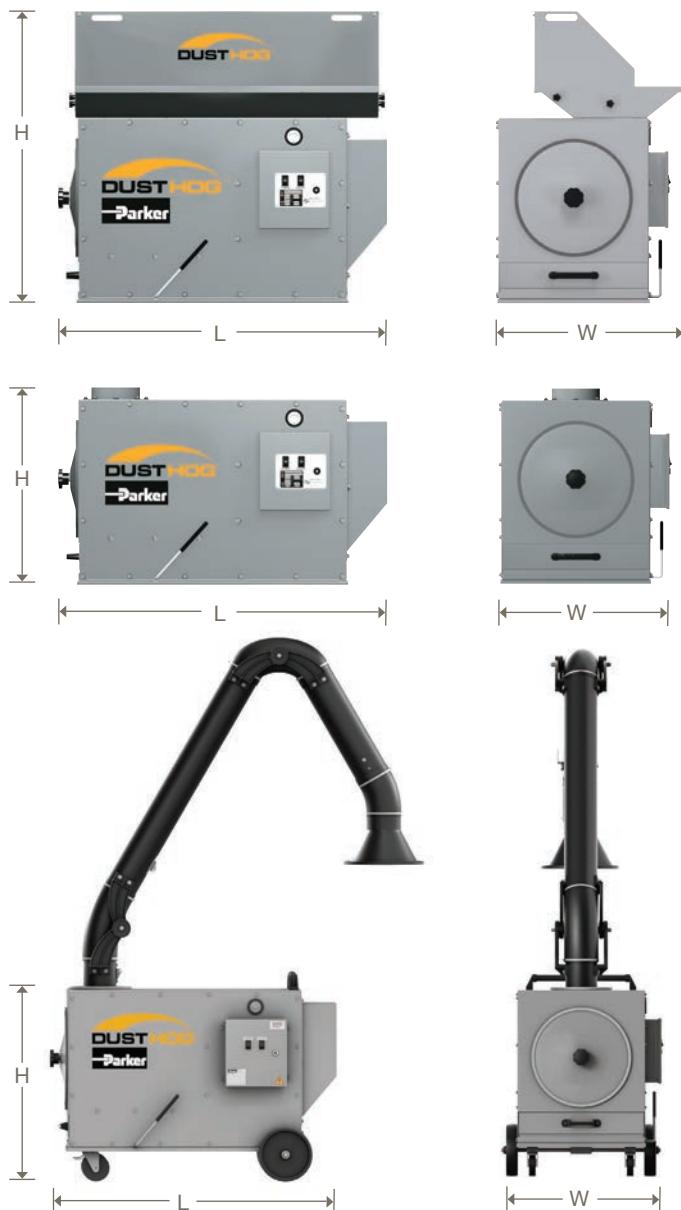
Industrial grade 15' power cord maximizes system reach and positioning during operation.

# SPECIFICATIONS

Model	Nominal Airflow (CFM)	Filter Area (ft.2)	Sound* (dBA)	Motor** (HP)	SCF Per Pulse	Drawer Capacity (Cubic ft.)	Length (in.)	Width (in.)	Height (in.)	Shipping Weight (lbs.)
VB-750	750	141	79	1.0	1.1	.631	38-13/16	30-1/4	46-13/16	385
VB-1500	1500	283	77	3.0	1.3	1.242	52-3/4	30-1/4	46-13/16	485
VF-750	750	141	74	1.0	1.1	.631	38-13/16	27-7/16	31-3/4	342
VF-1500	1500	283	81	3.0	1.3	1.242	52-3/4	27-7/16	31-3/4	425
VP-750	750	141	74	1.0	1.1	.631	38-13/16	30	38-9/16	402
VP-1500	1500	283	81	3.0	1.3	1.242	52-3/4	30	38-9/16	502

\*Units tested in accordance with AMCA 300 at 5'.  
 \*\*Horsepower is dependant upon flow requirement and can vary within model size.

## MODEL DIMENSIONS



Motor HP	Power Supply	Amp Draw
1.0	115/1/60	15
1.0	230/1/60	7.5
3	208/3/60	8.1
3	230/3/60	7.6
3	460/3/60	3.8

### MODEL VB

Practical bench provides an integrated collection area and work surface.

Work Surface Dimensions:

VB-750: 32-1/8" x 24"

VB-1500: 48-1/2" x 24"

### MODEL VF

Fixed unit for small, ducted system for capturing dust at the source.

### MODEL VP

Portable unit used in applications where hoods are impractical.



## Providing Clean Air Solutions

Parker Hannifin is committed to providing clean air solutions that protect your employees, improve plant performance and enable you to realize your operating goals.

**State-of-the-Art Labs and Advanced Filtration Research for Optimized Performance.** Purpose-built labs and test facilities with the latest equipment allow our engineers and technicians to quickly and accurately assess filter capabilities and develop innovative new medias.

**High Performance Filters & Specialized Equipment Solutions.** With decades of experience manufacturing high performance original equipment and aftermarket filters to meet a variety of system types and configurations, we can satisfy whatever requirement is needed including customized solution.

## Industrial Applications

- Abrasive Blasting
- Carbon Black
- Cement
- Chemicals
- CNC Machining
- Coal-Fired Boilers
- Cold Heading
- Die Casting
- Food Processing
- Lime
- Metals
- Metalworking
- Pharmaceutical
- Plasma & Laser Cutting
- Plastics Processing
- Powder Paint
- Thermal Metal Spraying
- Utility
- Waste-to-Energy
- Welding
- Woodworking
- Other Applications
- Custom or OEM Applications

Industrial Gas Filtration and Generation Division  
4087 Walden Avenue  
Lancaster NY 14086 USA  
Ph: 800-252-4647  
Ph: 513-891-0400  
smoghog@parker.com



ENGINEERING YOUR SUCCESS.