

Features

- Rugged piston construction built to withstand pressure ratings to 1500 psi
- Angle body design for high flows
- Ideal for high-pressure water applications, such as car washes
- Mountable in any position

Construction

| Valve Parts in Contact with Fluids | | |
|------------------------------------|----------------------|---------------------|
| Body | Brass | 300 Stainless Steel |
| Seals and Disc | NBR, PA, PTFE | PTFE, NBR |
| Core Tube | 305 Stainless Steel | |
| Core and Plugnut | 430F Stainless Steel | |
| Core Spring | 302 Stainless Steel | |
| Shading Coil | Copper | Silver |

Electrical

| Standard Coil and Class of Insulation | Watt Rating and Power Consumption | | | | Spare Coil Part Number | | | |
|---------------------------------------|-----------------------------------|-------|------------|-----------|------------------------|--------|----------------|--------|
| | DC Watts | AC | | | General Purpose | | Explosionproof | |
| | | Watts | VA Holding | VA Inrush | AC | DC | AC | DC |
| F | - | 10.1 | 25 | 50 | 238610 | - | 238614 | - |
| F | 22.6 | 17.1 | 40 | 70 | 238610 | 238710 | 238614 | 238714 |

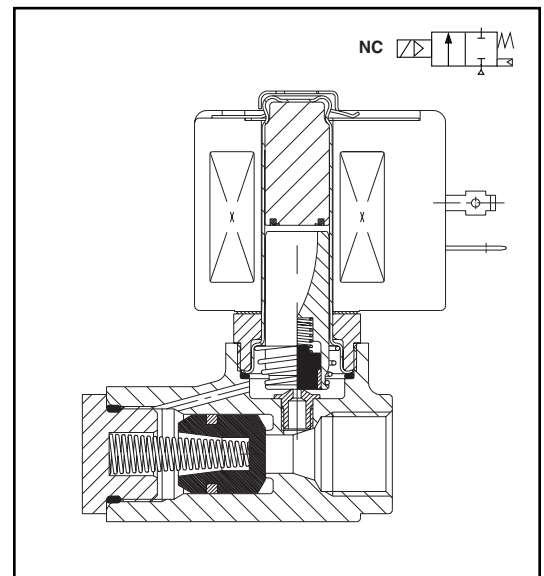
Standard Voltages: 24, 120, 240, 480 volts AC, 60 Hz (or 110, 220 volts AC, 50 Hz).
6, 12, 24, 120, 240 volts DC. Must be specified when ordering.
Other voltages available when required.

Solenoid Enclosures

Standard: Watertight, Types 1, 2, 3, 3S, 4, and 4X.

Optional: Explosionproof and Watertight, Types 3, 3S, 4, 4X, 6, 6P, 7, and 9.
(To order, add prefix "EF" to catalog number.)

See *Optional Features Section* for other available options.



Nominal Ambient Temp. Ranges

AC: 32°F to 125°F (0°C to 52°C)

DC: 32°F to 104°F (0°C to 40°C)

Refer to *Engineering Section* for details.

Approvals

CSA certified. Meets applicable CE directives.

Refer to *Engineering Section* for details.

ATEX/IECEx certified with prefix "EV" as listed. Refer to *Optional Features Electrical Section* for details.

Specifications (English units)

| Pipe Size (in) | Orifice Size (in) | Cv Flow Factor | Operating Pressure Differential (psi) | | | | | | | Max. Fluid Temp. °F | | Brass Body | | Stainless Steel Body | | Watt Rating/ Class of Coil Insulation | |
|---|-------------------|----------------|---------------------------------------|---------------|---------|---------------------|---------------|---------|---------------------|---------------------|-----|----------------|-------------|----------------------|-------------|---------------------------------------|--------|
| | | | Min. | Max. AC | | | Max. DC | | | AC | DC | Catalog Number | Const. Ref. | Catalog Number | Const. Ref. | AC | DC |
| | | | | Air-Inert Gas | Water ① | Light Oil @ 300 SSU | Air-Inert Gas | Water ① | Light Oil @ 300 SSU | | | | | | | | |
| NORMALLY CLOSED (Closed when de-energized) | | | | | | | | | | | | | | | | | |
| 1/4 | 5/16 | 1.5 | 10 | 750 | 750 | 750 | - | - | - | 200 | - | 8223G021 | 1 | - | - | 10.1/F | - |
| 1/4 | 5/16 | 1.5 | 10 | 1500 | 1500 | 1500 | 500 | 500 | 500 | 200 | 150 | 8223G025 ② | 1 | - | - | 17.1/F | 22.6/F |
| 3/8 | 5/16 | 1.5 | 10 | 750 | 750 | 750 | 400 | 400 | 400 | 200 | 150 | 8223G023 | 1 | - | - | 10.1/F | 22.6/F |
| 3/8 | 5/16 | 1.5 | 10 | 1500 | 1500 | 1500 | 500 | 500 | 500 | 200 | 150 | 8223G027 | 1 | - | - | 17.1/F | 22.6/F |
| 1/2 | 3/8 | 3.2 | 25 | 1500 | 1500 | 1500 | 500 | 500 | 500 | 200 | 150 | 8223G003 | 2 | 8223G010 ② | 4 | 17.1/F | 22.6/F |
| 3/4 | 3/4 | 7.8 | 25 | 750 | 750 | 750 | 450 | 450 | 450 | 200 | 150 | 8223G005 | 3 | 8223G012 | 5 | 17.1/F | 22.6/F |

① Water rating, CSA certified up to 232 psi. ② ATEX/IECEX certified with prefix "EV".

Specifications (Metric units)

| Pipe Size (in) | Orifice Size (mm) | Kv Flow Factor (m3/h) | Operating Pressure Differential (bar) | | | | | | | Max. Fluid Temp. °C | | Brass Body | | Stainless Steel Body | | Watt Rating/ Class of Coil Insulation | |
|---|-------------------|-----------------------|---------------------------------------|---------------|---------|---------------------|---------------|---------|---------------------|---------------------|----|----------------|-------------|----------------------|-------------|---------------------------------------|--------|
| | | | Min. | Max. AC | | | Max. DC | | | AC | DC | Catalog Number | Const. Ref. | Catalog Number | Const. Ref. | AC | DC |
| | | | | Air-Inert Gas | Water ① | Light Oil @ 300 SSU | Air-Inert Gas | Water ① | Light Oil @ 300 SSU | | | | | | | | |
| NORMALLY CLOSED (Closed when de-energized) | | | | | | | | | | | | | | | | | |
| 1/4 | 8 | 1.3 | 0.7 | 52 | 52 | 52 | - | - | - | 93 | - | 8223G021 | 1 | - | - | 10.1/F | - |
| 1/4 | 8 | 1.3 | 0.7 | 103 | 103 | 103 | 34 | 34 | 34 | 93 | 65 | 8223G025 ② | 1 | - | - | 17.1/F | 22.6/F |
| 3/8 | 8 | 1.3 | 0.7 | 52 | 52 | 52 | 28 | 28 | 28 | 93 | 65 | 8223G023 | 1 | - | - | 10.1/F | 22.6/F |
| 3/8 | 8 | 1.3 | 0.7 | 103 | 103 | 103 | 34 | 34 | 34 | 93 | 65 | 8223G027 | 1 | - | - | 17.1/F | 22.6/F |
| 1/2 | 10 | 2.7 | 1.7 | 103 | 103 | 103 | 34 | 34 | 34 | 93 | 65 | 8223G003 | 2 | 8223G010 ② | 4 | 17.1/F | 22.6/F |
| 3/4 | 19 | 6.7 | 1.7 | 52 | 52 | 52 | 31 | 31 | 31 | 93 | 65 | 8223G005 | 3 | 8223G012 | 5 | 17.1/F | 22.6/F |

① Water rating, CSA certified up to 16 bar. ② ATEX/IECEX certified with prefix "EV".

Dimensions: inches (mm)

| Const. Ref. | | H | K | L | P | W |
|-------------|----|------|------|------|------|------|
| 1 | in | 3.41 | 1.91 | 2.44 | 2.88 | 1.95 |
| | mm | 87 | 49 | 62 | 73 | 50 |
| 2 | in | 4.32 | 2.17 | 3.03 | 3.13 | 1.95 |
| | mm | 110 | 55 | 77 | 80 | 50 |
| 3 | in | 5.03 | 2.64 | 3.60 | 3.61 | 2.00 |
| | mm | 128 | 67 | 91 | 92 | 51 |
| 4 | in | 4.34 | 2.15 | 2.50 | 3.13 | 1.95 |
| | mm | 110 | 55 | 64 | 80 | 50 |
| 5 | in | 5.03 | 2.53 | 3.53 | 3.50 | 3.50 |
| | mm | 128 | 64 | 90 | 89 | 89 |

Const. Ref. 1 - 5

1/2 NPT

OUTLET

NPT 2 PLACES

INLET

INLET LOCATED ON BOTTOM FOR CAT. NO'S 8223G003, 005, 010, 012