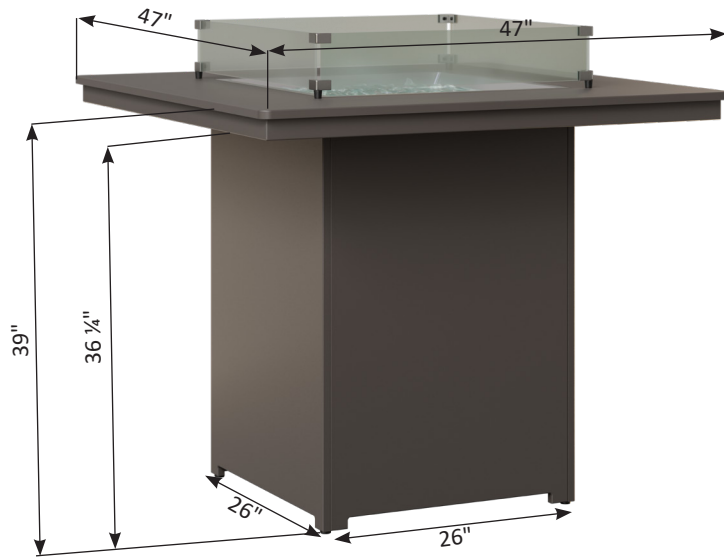
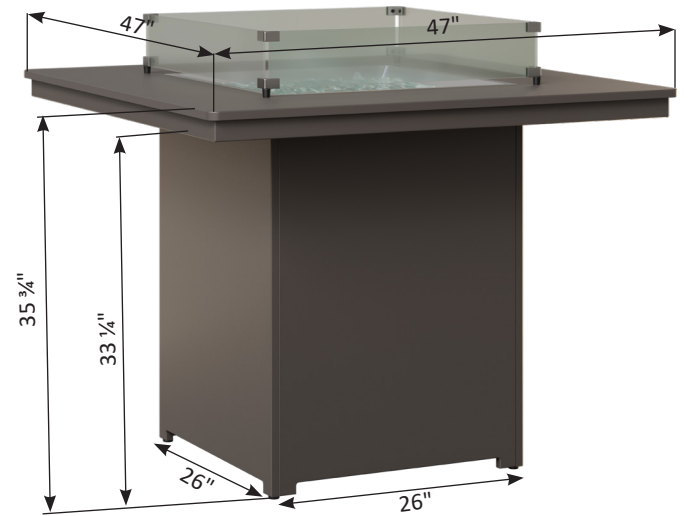


# Numa Collection Dimensions

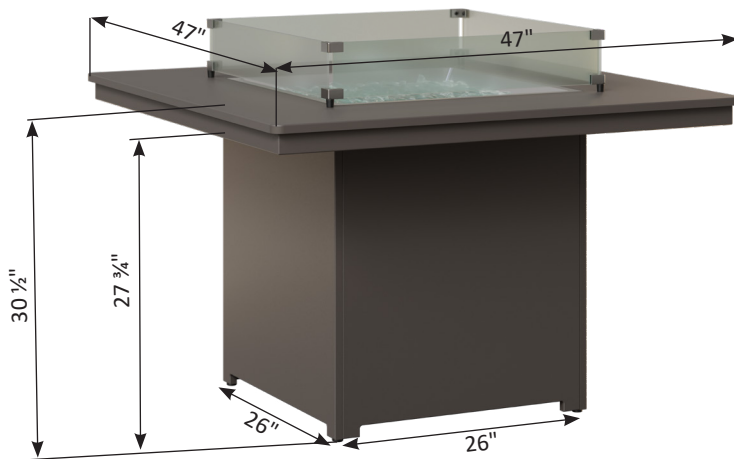
FM-19



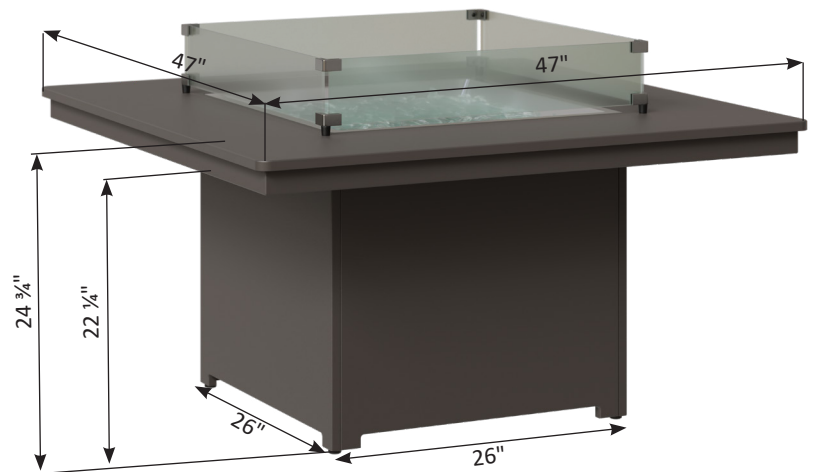
**Numa Square Fire Pit Bar Height**



**Numa Square Fire Pit Counter Height**



**Numa Square Fire Pit Dining Height**



**Numa Square Fire Pit**