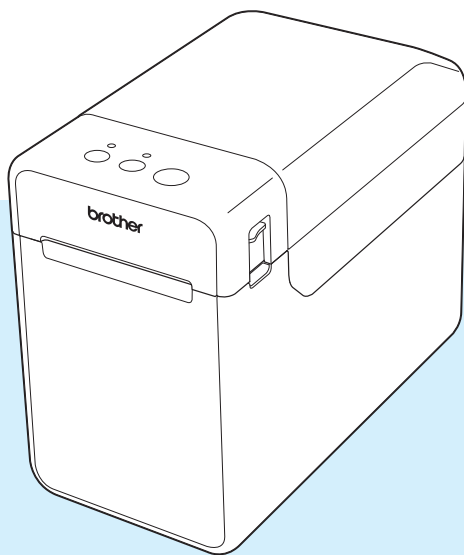


# USER'S GUIDE

TD-2020  
TD-2120N  
TD-2130N



Before using this printer, be sure to read this User's Guide.

We suggest that you keep this manual in a handy place for future reference.

Please visit us at [support.brother.com](http://support.brother.com), where you can get product support and answers to frequently asked questions (FAQs).

# Introduction

Thank you for purchasing the Brother TD-2020/2120N/2130N. The TD-2020/2120N/2130N (hereafter referred to as "the printer") is a powered desktop thermal printer. Be sure to read the User's Guide, Product Safety Guide, Quick Reference Guide, Software User's Guide and Network User's Guide (TD-2120N/2130N only) before using the printer. We suggest that you keep these documents in a handy place for future reference.

The following documents are included on the CD-ROM.

- User's Guide
- Software User's Guide
- Network User's Guide (TD-2120N/2130N only)

## Symbols Used in This Document

---

The following symbols are used throughout this document.

### CAUTION

This symbol indicates instructions that may result in injuries or damage if they are ignored or incorrectly followed.



This symbol indicates information or directions that should be followed. Ignoring them may result in damage or failed operations.

### NOTE

---

This symbol indicates notes that provide information or directions that can help you better understand and use the product more efficiently.


## About This Document

---

This document (PDF) is included on the CD-ROM.

### NOTE

---

If Adobe® Reader® is used to view this document on a computer, the pointer changes to  when the pointer is placed on a link. Click the link to open the corresponding page.

For information on using Adobe® Reader®, see the help file included with Adobe® Reader®.

---

# Table of Contents

<b>1</b>	<b>Getting Started</b>	<b>1</b>
	General Description .....	1
	Power Supply .....	3
	Connecting to an AC Power Socket .....	3
	Installing the Printer Driver and Software .....	4
	Installer Screen .....	5
	USB Cable Connection .....	5
	Wired LAN Connection (TD-2120N/2130N only) .....	7
	Registering Paper Size Information With the Printer .....	9
	Uninstalling the Printer Driver .....	10
<b>2</b>	<b>Printing</b>	<b>12</b>
	Operation Panel .....	12
	Indicators .....	12
	Button Functions .....	13
	Inserting the RD Roll .....	15
	Checking the Sensor Position .....	17
	Cutting Roll Paper .....	18
	Printing the Printer Setup Information .....	19
	Connecting the Computer and Printer .....	21
	USB Cable Connection .....	21
	Wired LAN Connection (TD-2120N/2130N only) .....	21
	Printing Solutions .....	22
	Printing .....	23
	Making Prints Lighter or Darker .....	23
	Printer Driver Options .....	24
<b>3</b>	<b>Printer Setting Tool</b>	<b>25</b>
	About the Printer Setting Tool .....	25
	Before Using the Printer Setting Tool .....	25
	Using the Printer Setting Tool .....	25
	Communication Settings (TD-2120N/2130N only) .....	27
	Settings Dialog Box .....	27
	Menu Bar .....	29
	Wired LAN/Wireless LAN Tabs .....	31
	Bluetooth Tab .....	33
	Applying Setting Changes to Multiple Printers .....	33
	Device Settings .....	34
	Settings Tabs .....	35
	Menu Bar .....	40
	P-touch Template Settings .....	41
	P-touch Template .....	41
	P-touch Template Settings Dialog Box .....	42
	Paper Size Setup .....	44
	Paper Size Setup Dialog Box .....	44
	Distributing Paper Formats .....	47

<b>4</b>	<b>Other Functions</b>	<b>48</b>
	Mass Storage Functions .....	48
	Mass Storage Feature .....	48
	Using the Mass Storage Feature .....	48
	Web Based (Web Browser) Management (TD-2120N/2130N only) .....	49
	Software Development Kit .....	50
<b>5</b>	<b>Maintaining the Printer</b>	<b>51</b>
	Print Head Maintenance .....	51
	Platen Roller Maintenance.....	52
	Media Exit Maintenance .....	52
	Label Peeler (Optional) Maintenance (TD-2120N/2130N only) .....	53
<b>6</b>	<b>Indicators</b>	<b>54</b>
	Indicators .....	54
<b>7</b>	<b>Troubleshooting</b>	<b>56</b>
	Overview.....	56
	Troubleshooting.....	56
	Error Messages for Touch Panel Display (Optional) (TD-2120N/2130N Only).....	64
<b>8</b>	<b>Specifications</b>	<b>66</b>
	Product Specifications .....	66
<b>9</b>	<b>Using the RJ25 to DB9M Serial Adapter (Optional:PA-SCA-001)</b>	<b>69</b>
	Connecting the Computer and Printer With the RJ25 to DB9M Serial Adapter ....	69
	Product Specifications .....	69
<b>10</b>	<b>Using the Touch Panel Display (Optional:PA-TDU-001) (TD-2120N/2130N only)</b>	<b>70</b>
	General Description .....	70
	LCD.....	70
	Screen .....	70
	Touch Panel.....	71
	Information About Replacing the Touch Panel .....	72
	Printing With the Touch Panel Display .....	74
	Touch Panel Display Settings.....	75
	Specifying Settings From the Touch Panel Display.....	75
	Creating a Label Layout.....	79
	Creating a Template .....	79
	Linking a Database to a Template .....	81
	Transferring the Label Layout to the Printer .....	83
	Selecting the Touch Panel.....	84
	Selecting the Data Assigned to Keys on the One-Touch Panel .....	85

Creating a One-Touch Panel.....	86
Printing the Label.....	86
Printing Using the Basic Control Panel.....	86
Printing Using the One-Touch Panel.....	88
Printing a Different Date/Time Than the Printer's Internal Clock.....	89
Printing Using a Barcode Reader.....	90
Label Layouts on the Printer (Checking, Deleting and Log).....	90
Replacing the Time/Date Battery.....	91
Frequently Asked Questions.....	92
Product Specifications.....	93

---

**11 Using the WLAN Interface (Optional:PA-WI-001)  
(TD-2120N/2130N only) 94**

---

Installing the Printer Driver and Software.....	94
Before Making a Wireless LAN Connection.....	94
Choosing Your Wireless Installation Method.....	95
Configuration Using the Installer CD-ROM and Temporarily Using a USB Cable.....	95
One-Push Configuration Using WPS.....	100
Connecting the Computer and Printer by Wireless LAN.....	103
Product Specifications.....	104

---

**12 Using the Bluetooth Interface (Optional:PA-BI-001)  
(TD-2120N/2130N only) 105**

---

Connecting the Computer and Printer by Bluetooth.....	105
Using Bluetooth to Communicate When Printing.....	106
Product Specifications.....	106

---

**13 Using the Label Peeler (Optional:PA-LP-001)  
(TD-2120N/2130N only) 107**

---

Inserting the RD Roll.....	107
Printer Driver Settings.....	110
After Printing.....	111
Product Specifications.....	111

---

**14 Using the Rechargeable Li-ion Battery/Battery Base  
(Optional:PA-BT-4000LI/PA-BB-001) (TD-2120N/2130N only) 112**

---

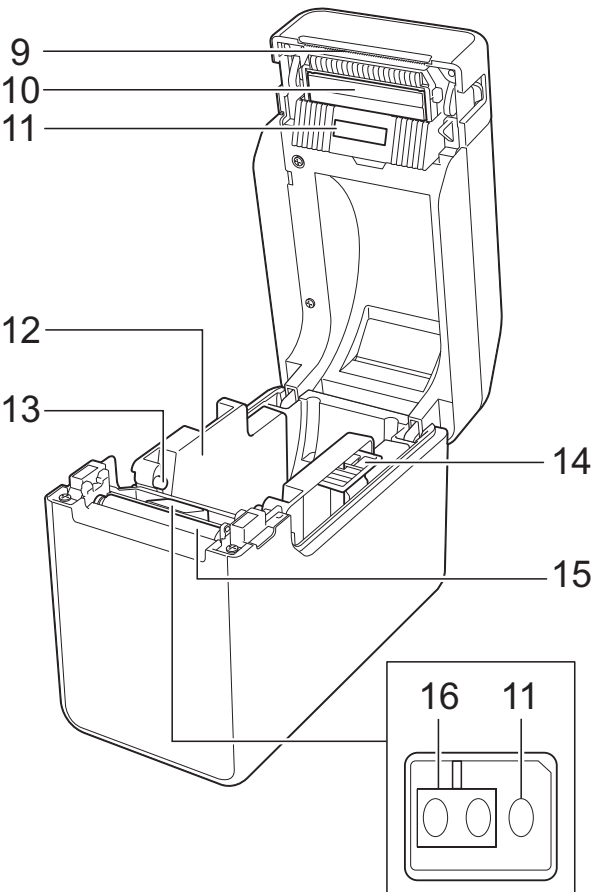
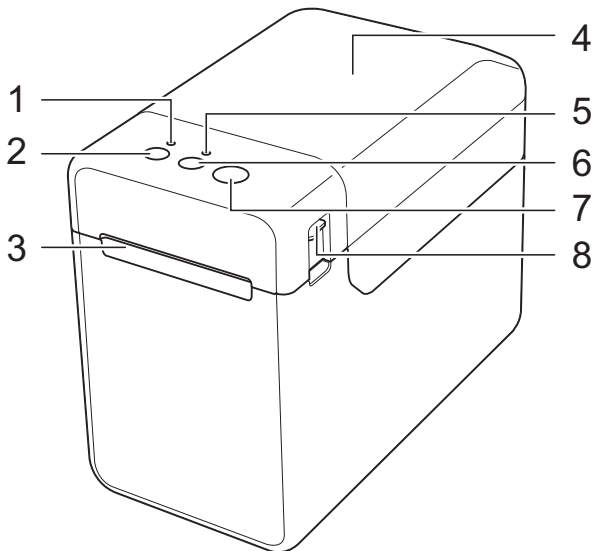
Installing the Rechargeable Li-ion Battery.....	112
Charging the Rechargeable Li-ion Battery.....	113
Tips on Using the Rechargeable Li-ion Battery.....	114
Battery Level of the Rechargeable Battery.....	115
Battery Indicator.....	116
Product Specifications.....	116

# 1

# Getting Started

## General Description

Front

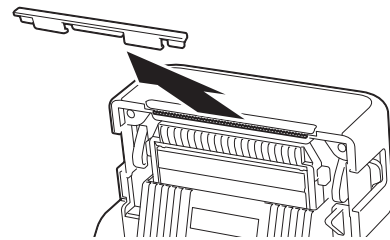


- 1 POWER indicator
- 2 ⏻ (Power) button
- 3 Media exit
- 4 RD Roll compartment top cover
- 5 STATUS indicator
- 6 📄 (Feed) button
- 7 🖨️ (Print) button
- 8 Cover release lever
- 9 Tear bar

When the printer is purchased, the tear bar cover is installed.

### NOTE

- Before using the printer, remove the cover over the tear bar.



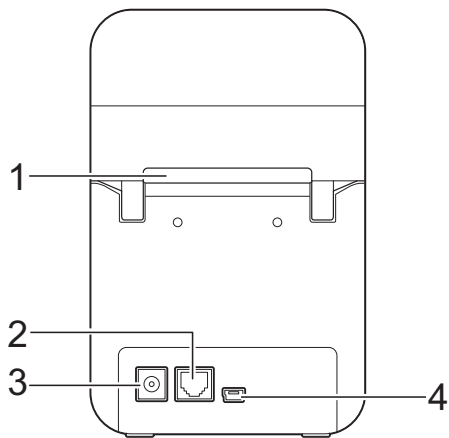
- Do not dispose of the removed cover. In order to avoid injuries when the printer is not being used, attach the cover to the tear bar.

### ⚠ CAUTION

The tear bar is sharp. To avoid injury, do not touch the tear bar.

- 10 Print head
- 11 Transmissive/gap sensor
- 12 Media guide
- 13 Media tip guide
- 14 Media guide adjustment lever
- 15 Platen roller
- 16 Reflective/black mark sensor

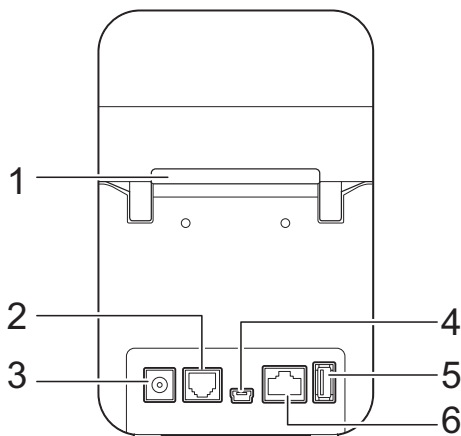
## Back (TD-2020)



## Options (TD-2120N/2130N only)

- Touch panel display (PA-TDU-001)
- WLAN interface (PA-WI-001)
- Bluetooth interface (PA-BI-001)
- Label peeler (PA-LP-001)
- Battery base (PA-BB-001)
- RJ25 to DB9M serial adapter (PA-SCA-001)
- Rechargeable lithium-ion battery (PA-BT-4000LI)
- 4 bay battery charger (PA-4BC-4000)

## (TD-2120N/2130N)



- 1 External media feed slot
- 2 Serial port
- 3 Power connector
- 4 Mini-USB port
- 5 USB host port  
(TD-2120N/2130N only)
- 6 Ethernet network port  
(TD-2120N/2130N only)

## Power Supply

This printer is powered by either the AC adapter (included) or the rechargeable Li-ion battery (optional, TD-2120N/2130N only). Use the power supply appropriate for your intended use.

The AC adapter supplies power directly to the printer, making it suitable for high-volume printing.


With the rechargeable Li-ion battery installed, this printer can be used in locations that do not have AC power.

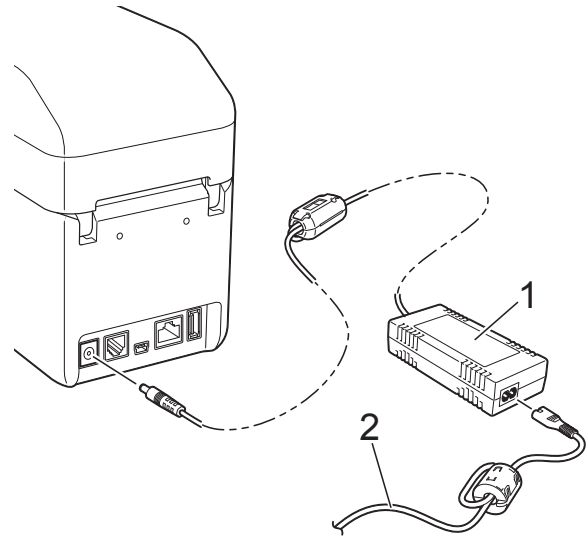
For details on using the rechargeable Li-ion battery, see *Using the Rechargeable Li-ion Battery/Battery Base (Optional: PA-BT-4000LI/PA-BB-001) (TD-2120N/2130N only)* on page 112.

### Connecting to an AC Power Socket

Connect the AC adapter to the printer, and then plug the AC power cord into an AC power socket to power the printer. Connect the AC adapter in the same way when recharging the rechargeable Li-ion battery.

- 1 Connect the AC adapter to the printer.
- 2 Connect the AC power cord to the AC adapter.
- 3 Connect the AC power cord to a nearby AC power socket (100 - 240 V, 50/60 Hz).

- 4 Press the  (Power) button of the printer to turn it on. The POWER indicator lights in green, and the printer is in standby.



- 1 AC adapter
- 2 AC power cord



Do not use the cords while they are bundled.



## Installing the Printer Driver and Software

The printer driver and software can be installed using any of the following three methods:

- USB cable connection (page 5)
- Wired LAN connection (TD-2120N/2130N only) (page 7)
- Wireless LAN connection (TD-2120N/2130N only) (if the WLAN interface is attached)

In order to use a wireless LAN connection, the WLAN interface (optional) must be attached to the printer. For details on attaching the WLAN interface (optional), see its instruction manual.

For details on making a wireless LAN connection, see *Using the WLAN Interface (Optional:PA-WI-001) (TD-2120N/2130N only)* on page 94.

Windows 7 is used in the following procedures. The installation procedure may differ depending on the operating system being used. If an operating system other than Windows 7 is being used, read the procedures with the screens replaced with the corresponding screens for your operating system. In addition, the installation procedure is subject to change without notice.

If you are using Windows 8, make sure the default program to open PDF files is Adobe® Reader® before using the CD-ROM. Otherwise PDF files may not open and links within PDF files may not work correctly. In addition, make sure the default web browser is Internet Explorer® before using the CD-ROM. Otherwise links to websites may not work.



Before starting the installation, make sure that you are logged on with administrator rights.

## Installer Screen



### 1 Standard Installation

Installs P-touch Editor, the printer driver, P-touch Update Software, Printer Setting Tool, the User's Guide, the Software User's Guide and the Network User's Guide (TD-2120N/2130N only).

### 2 User's Guides

Displays or installs the User's Guide, the Software User's Guide and the Network User's Guide (TD-2120N/2130N only).

### 3 Custom Installation

Allows P-touch Editor, the printer driver, P-touch Update Software and Printer Setting Tool to be individually selected for installation.

### 4 Advanced Applications

Installs the BRAdmin Light utility (TD-2120N/2130N only), or displays the Brother Developer Center.

### 5 Brother Support

Displays the support website.

## NOTE

- The following installation procedures are for "**Standard Installation**".
- If this printer is connected to a computer by a USB cable, the "**Printer Setting Tool**" can be used to specify various printer settings. In order to use the "**Printer Setting Tool**" for specifying printer settings, the printer driver must be installed.

## USB Cable Connection

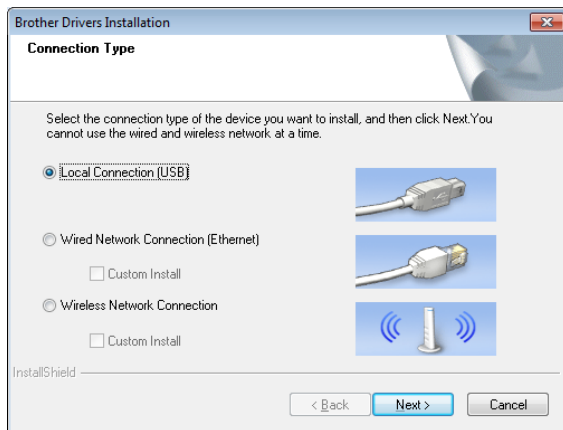
- 1 Insert the installer CD-ROM into your CD-ROM drive. If the language screen appears, choose your language.

## NOTE

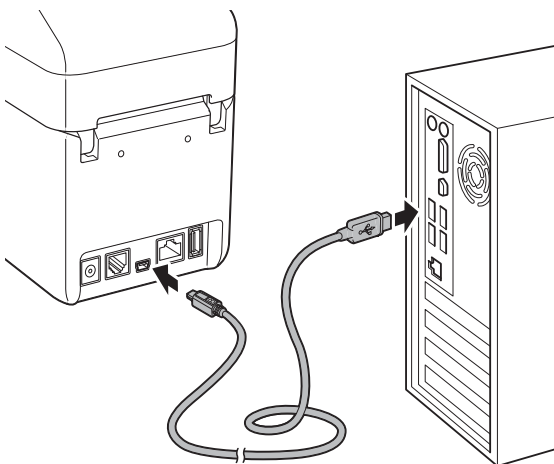
- For Windows XP/Windows Vista/Windows 7:  
If the installer screen does not automatically appear, display the contents of the CD-ROM drive folder, and then double-click [**start.exe**].
- For Windows 8:  
If the installer screen does not automatically appear, click [**Run start.exe**] in the [**Start**] screen, or display the contents of the CD-ROM drive folder from the desktop, and then double-click [**start.exe**].

- 2 Click [**Standard Installation**].
- 3 Read the licence agreement, and click [**Agree**] if you agree to the terms and conditions.
- 4 Click [**Install**] to start the installation, and then follow the on-screen instructions.

- 5 With TD-2120N/2130N:  
When the screen for selecting the connection method appears, select **[Local Connection (USB)]**, and then click **[Next]**.



- 6 When instructed, connect the printer to the computer with the USB cable and turn on the printer. Installation automatically begins.



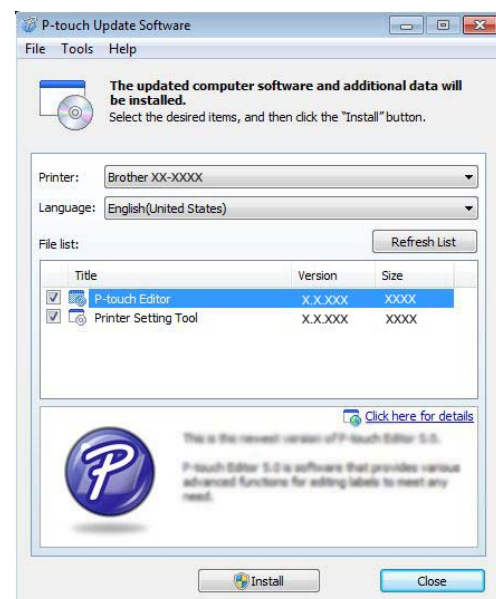
- 7 The P-touch Update Software can be used to check for updates. If **[OK to use P-touch Update Software to update the software to the newest version? (An Internet connection is required to update.)]** appears, click **[Yes]** or **[No]**.
- To check for new versions of the software and to update them, click **[Yes]**, and then go to step 8.

- To not check for new software versions or update them, click **[No]**, and then go to step 9.

## NOTE

If you click **[No]** here, you can run the P-touch Update Software at a more convenient time to check for new software versions and update them. Double-click the P-touch Update Software icon on the desktop. (Your computer must be connected to the Internet.)

- 8 The P-touch Update Software starts up.
- If an application appears under **[File list]**, there is a new version of the application. If the check box is selected and **[Install]** is clicked, that application can be installed. Wait until a message appears indicating that the installation has finished.



- If no application appears under **[File list]**, the application currently installed on the computer is the newest version. There is no need to update. Click **[Close]**.

- 9 When the screen for the online user registration appears, click **[OK]** or **[Cancel]**.
  - If you clicked **[OK]**, you will go to the online user registration page before finishing the installation (recommended).
  - If you clicked **[Cancel]**, installation continues.
- 10 Click **[Finish]**.  
The installation is now complete.

## NOTE

When you are asked to restart the computer, click **[Restart]**.

## Wired LAN Connection (TD-2120N/2130N only)

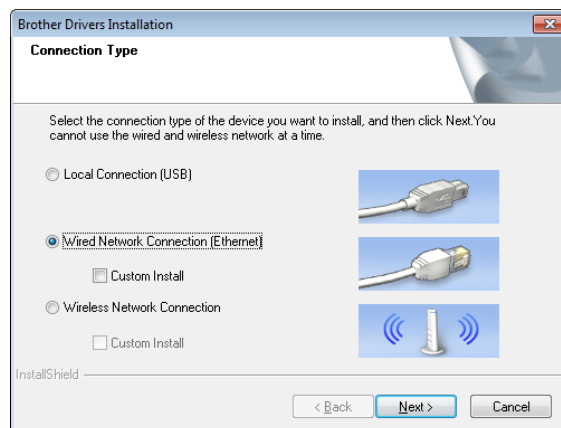
- 1 Connect the LAN cable to the printer, and then turn on the printer.
- 2 Insert the installer CD-ROM into your CD-ROM drive. If the language screen appears, choose your language.

## NOTE

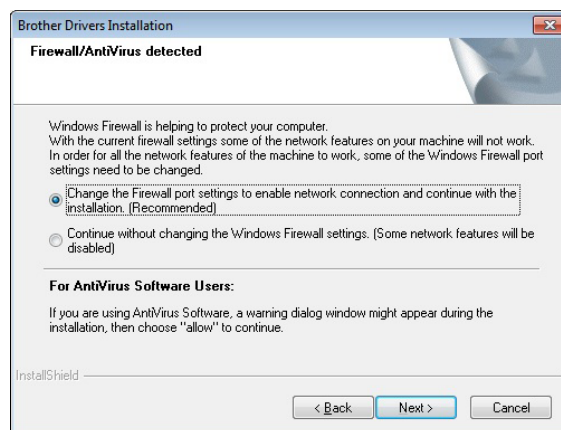
- For Windows XP/Windows Vista/Windows 7:  
If the installer screen does not automatically appear, display the contents of the CD-ROM drive folder, and then double-click **[start.exe]**.
- For Windows 8:  
If the installer screen does not automatically appear, click **[Run start.exe]** in the **[Start]** screen, or display the contents of the CD-ROM drive folder from the desktop, and then double-click **[start.exe]**.

- 3 Click **[Standard Installation]**.
- 4 Read the licence agreement, and click **[Agree]** if you agree with the terms and conditions.

- 5 Click **[Install]** to start the installation, and then follow the on-screen instructions.
- 6 When the screen for selecting the connection method appears, select **[Wired Network Connection (Ethernet)]**, and then click **[Next]**.

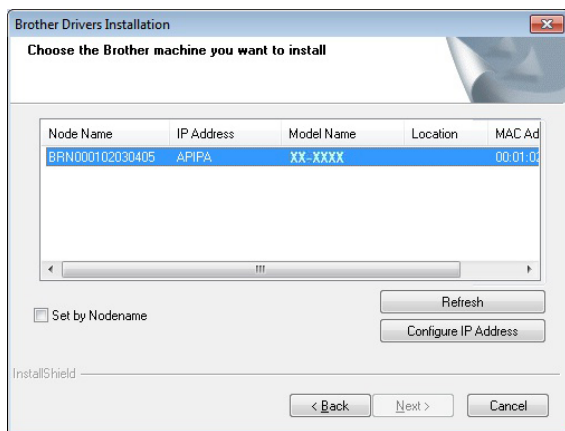


- 7 When the **[Firewall/AntiVirus detected]** screen appears, select **[Change the Firewall port settings to enable network connection and continue with the installation. (Recommended)]**, and then click **[Next]**.



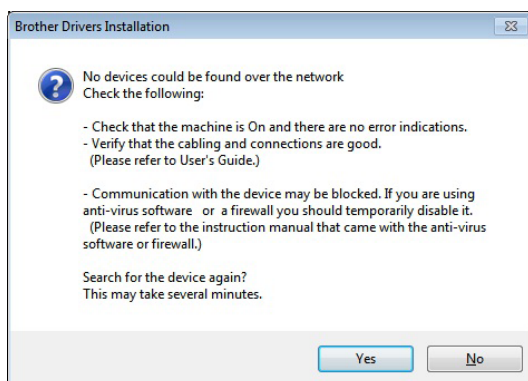
If you are not using the Windows Firewall, allow access using UDP ports 137 and 161.

- 8 Select the printer from the list, and then click [**Next**].



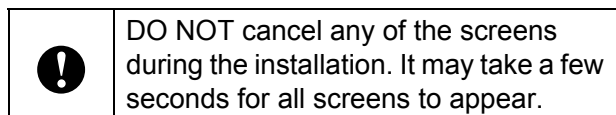
## NOTE

If this printer was not detected, the following screen appears.



Follow the on-screen instructions to check the settings.

- 9 Installation of the printer driver and software begins.



## NOTE

- For Windows Vista/Windows 7/Windows 8 users:  
When the [**Windows Security**] screen appears, select the check box, and then click [**Install**] to complete the installation correctly.

- Depending on your security settings, a Windows Security or antivirus software window may appear when the printer or its software is being used. Allow or permit the installer to continue.

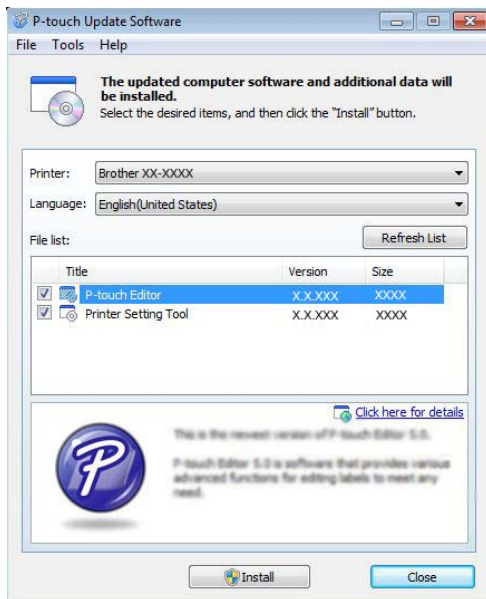
- 10 The P-touch Update Software can be used to check for updates. If [**OK to use P-touch Update Software to update the software to the newest version? (An Internet connection is required to update.)**] appears, click [**Yes**] or [**No**].

- To check for new versions of the software and to update them, click [**Yes**], and then go to step 11.
- To not check for new software versions or update them, click [**No**], and then go to step 12.

## NOTE

If you click [**No**] here, you can run the P-touch Update Software at a more convenient time to check for new software versions and update them. Double-click the P-touch Update Software icon on the desktop. (Your computer must be connected to the Internet.)

- 11 The P-touch Update Software starts up.
- If an application appears under [**File list**], there is a new version of the application. If the check box is selected and [**Install**] is clicked, that application can be installed. Wait until a message appears indicating that the installation has finished.



- If no application appears under [**File list**], the application currently installed on the computer is the newest version. There is no need to update. Click [**Close**].
- 12 When the screen for the online user registration appears, click [**OK**] or [**Cancel**].
- If you clicked [**OK**], you will go to the online user registration page before finishing the installation (recommended).
  - If you clicked [**Cancel**], installation continues.
- 13 Click [**Finish**].  
The installation is now complete.

## NOTE

When you are asked to restart the computer, click [**Restart**].

## Registering Paper Size Information With the Printer

Paper size information must be registered with the printer for proper operation.


- 1 Connect the computer to the printer with a USB cable.
- 2 With [**Paper Size Setup**] of the installed "**Printer Setting Tool**", specify the size information (label width and length, label spacing, etc.) for the media to be used, and then add the paper format. Settings can also be adjusted for [**Printing Reference Point Adjustment**] and [**Energy Rank**], and [**Import**] or [**Export**] can be clicked to perform the corresponding operations with the added paper size information list.
- 3 Click [**Register Paper Size With Printer**] from the [**Option**] button in the [**Paper Size Setup**] dialog box to register the paper size information with the printer. For details, see *Paper Size Setup* on page 44.

# Uninstalling the Printer Driver



Read “TD-XXXX” in the following steps as your model name.

Perform this procedure only if printing from the TD-XXXX is no longer necessary or when re-installing the TD-XXXX printer driver.

## Windows XP

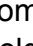

- 1 If the printer is connected to the computer and is turned on, press and hold the  (Power) button to turn it off.
- 2 Click **[Start]** - **[Control Panel]** - **[Printers and Other Hardware]** - **[Printers and Faxes]**.
- 3 Select **[Brother TD-XXXX]** and click **[File]** - **[Delete]**, or right-click the icon and click **[Delete]**.
- 4 Click **[File]** - **[Server Properties]**. The **[Print Server Properties]** window appears.
- 5 Click the **[Drivers]** tab, and then select **[Brother TD-XXXX]**. Click **[Remove]**.
- 6 Close the **[Print Server Properties]** window. The printer driver has been uninstalled.

## Windows Vista

- 1 If the printer is connected to the computer and is turned on, press and hold the  (Power) button to turn it off.
- 2 Click  - **[Control Panel]** - **[Hardware and Sound]** - **[Printers]**.
- 3 Select **[Brother TD-XXXX]** and click **[Delete this printer]**, or right-click the icon and click **[Delete]**.


- 4 Right-click the **[Printers]** window, and then click **[Run as administrator]** - **[Server Properties...]**.  
If the authorisation confirmation window appears, click **[Continue]**.  
If the **[User Account Control]** window appears, type in the password, and then click **[OK]**. The **[Print Server Properties]** window appears.
- 5 Click the **[Drivers]** tab, select **[Brother TD-XXXX]**, and then click **[Remove...]**.
- 6 Select **[Remove driver and driver package]**, and then click **[OK]**.
- 7 Close the **[Print Server Properties]** window. The printer driver has been uninstalled.

## Windows 7

- 1 If the printer is connected to the computer and is turned on, press and hold the  (Power) button to turn it off.
- 2 Click  - **[Devices and Printers]**.
- 3 Select **[Brother TD-XXXX]** and click **[Remove device]**, or right-click the icon and click **[Remove device]**.  
If a User Account Control message appears, type in the password, and then click **[Yes]**.
- 4 Select **[Fax]** or **[Microsoft XPS Document Writer]** in the **[Devices and Printers]** window, and then click **[Print server properties]**, which appeared on the menu bar.
- 5 Click the **[Drivers]** tab, and then click **[Change Driver Settings]**. If a User Account Control message appears, type in the password, and then click **[Yes]**. Select **[Brother TD-XXXX]**, and then click **[Remove...]**.

- 6 Select [**Remove driver and driver package**], and then click [**OK**]. Follow the on-screen instructions.
- 7 Close the [**Print Server Properties**] window. The printer driver has been uninstalled.

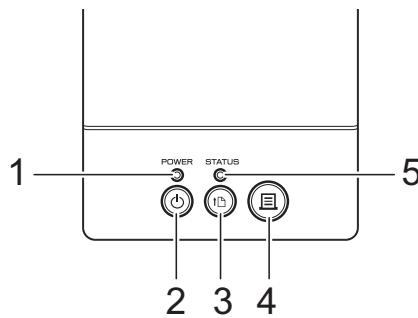
## Windows 8

- 1 If the printer is connected to the computer and is turned on, press and hold the  (Power) button to turn it off.
- 2 Click [**Control Panel**] in [**Apps**] screen - [**Hardware and Sound**] - [**Devices and Printers**].
- 3 Select [**Brother TD-XXXX**] and click [**Remove device**], or right-click the icon and click [**Remove device**].  
If a User Account Control message appears, type in the password, and then click [**Yes**].
- 4 Select [**Fax**] or [**Microsoft XPS Document Writer**] in the [**Devices and Printers**] window, and then click [**Print server properties**], which appeared in the menu bar.
- 5 Click the [**Drivers**] tab, and then click [**Change Driver Settings**]. If a User Account Control message appears, type in the password, and then click [**Yes**]. Select [**Brother TD-XXXX**], and then click [**Remove...**].
- 6 Select [**Remove driver and driver package**], and then click [**OK**]. Follow the on-screen instructions.
- 7 Close the [**Print Server Properties**] window. The printer driver has been uninstalled.



## Operation Panel

The operation panel consists of the following buttons and indicators.



1 POWER indicator

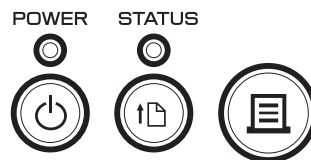
2  (Power) button

3  (Feed) button

4  (Print) button


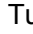
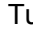
5 STATUS indicator

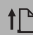


## Indicators








The indicators light and blink to indicate the printer's status. Each indicator may light or blink in green, red or orange. For details, see *Indicators* on page 54.

## Button Functions

 (Power) button functions	Operation
Turn the printer on	While the printer is turned off, press the  (Power) button. The POWER indicator turns on.
Turn the printer off	While the printer is turned on, press and hold the  (Power) button until the POWER indicator turns off. (If the <b>[Auto Power Off]</b> function is specified in <b>[Device settings]</b> of the “ <b>Printer Setting Tool</b> ”, the printer will turn off automatically after the specified period of inactivity.)

 (Feed) button functions	Operation
Feed the paper	<p>When the paper type is set to <b>[Die-cut Label]</b> or <b>[Media With Marks]</b>: Press the  (Feed) button to automatically feed the paper to the print position.</p> <p>When the paper type is set to <b>[Continuous Length Tape]</b>: Press the  (Feed) button to feed the paper about 25.4 mm.</p> <p>The default setting is <b>[Continuous Length Tape]</b>.</p> <p>Use <b>[Paper Size Setup]</b> of the “<b>Printer Setting Tool</b>” to register the paper size information with the printer. For details, see <i>Registering Paper Size Information With the Printer</i> on page 9.</p>
Establish a wireless LAN connection (WPS) (TD-2120N/2130N only)	With the wireless LAN connection enabled, press and hold (5 seconds) this button to easily establish a wireless LAN connection and install the printer driver. However, your WLAN access point/router must support Wi-Fi Protected Setup (WPS). For details, see <i>One-Push Configuration Using WPS</i> on page 100.
Enable/disable Bluetooth mode (TD-2120N/2130N only)	With the wireless LAN connection disabled, press and hold (5 seconds) this button to switch between enabling and disabling the Bluetooth connection. For details, see <i>Connecting the Computer and Printer by Bluetooth</i> on page 105.


 (Print) button functions	Operation
Perform the specified operation	With the printer idle, press this button to perform the operation specified in <b>[Device settings]</b> of the “ <b>Printer Setting Tool</b> ”. For details, see <i>Print Key Function</i> on page 36.
Print the printer setup information	Make sure that a roll is installed, and then hold down (at least 1 second) the  (Print) button to begin printing the printer setup information. For details, see <i>Printing the Printer Setup Information</i> on page 19.
Execute a file stored in the mass storage area	With the printer in mass storage mode, press this button to execute a command file stored in the mass storage area.
Resetting the incrementing field	Hold down the  (Print) button for at least 5 seconds, until the POWER and STATUS indicators blink 3 times in orange.

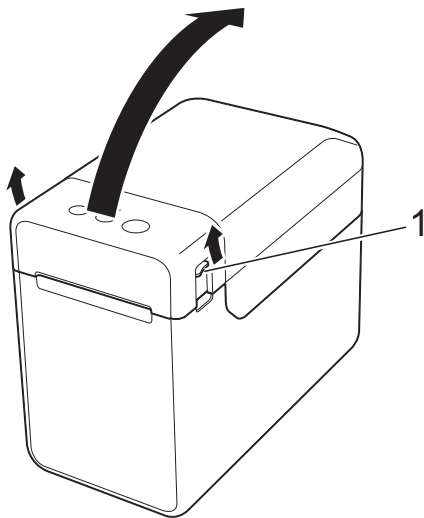
Functions using multiple buttons	Operation
Start up the printer in mass storage mode	While holding down the  (Print) button, press and hold the  (Power) button to start up the printer in mass storage mode. For details, see <i>Mass Storage Functions</i> on page 48.

## Inserting the RD Roll

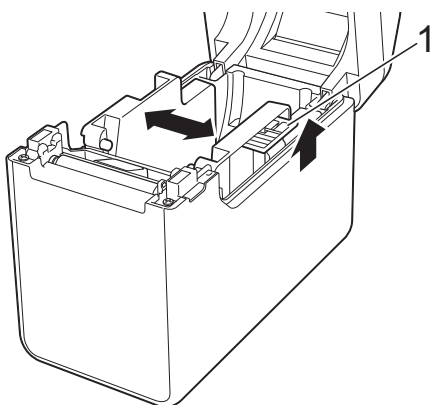


Use genuine Brother roll media.  
Genuine Brother fanfold media is not available at this time.

- 1 Press and hold the  (Power) button to turn the printer off.  
Press the cover release lever (1) on either side and lift up to open the RD Roll compartment top cover.



- 2 Open the media guides by lifting up the media guide adjustment lever (1) and pulling the media guides outwards.



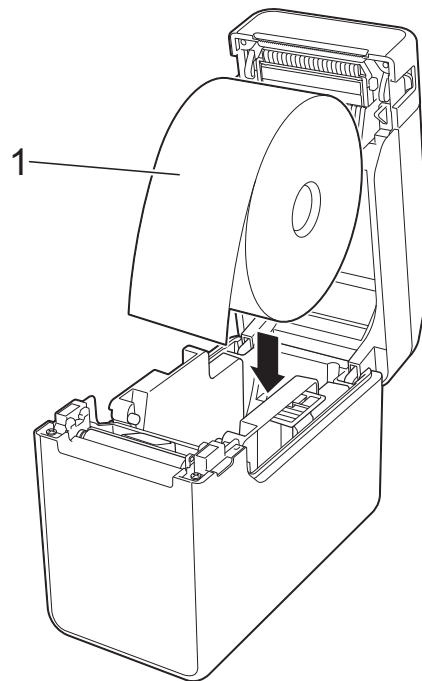
### NOTE

The media guides are shipped fully open from the factory.

- 3 Insert an RD Roll into the RD Roll compartment, and then close the RD Roll compartment top cover.

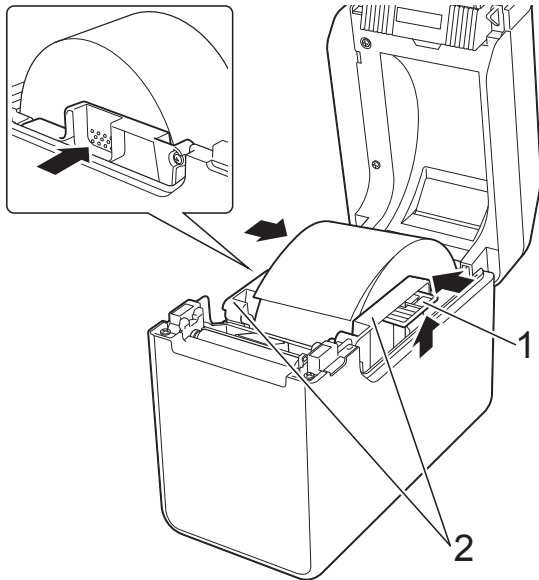
#### ■ For an RD Roll

- 1 Insert the RD Roll so that the labels feed with the side to be printed on facing up (1), as shown.

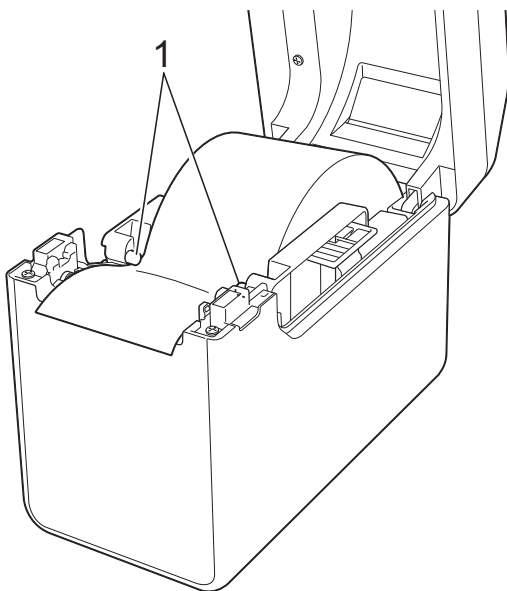


- Use RD Rolls with an outer roll dimension of 127 mm or less. Use RD Rolls designed for TD series printers. Regardless of the size, some RD Rolls may not be usable.
- Insert the RD Roll facing the correct direction. If the RD Roll is not inserted correctly, the printer will not print on the correct side of the paper or label.
- When using media with the labels rolled up on the inside, insert the roll in the opposite direction to that shown in sub-step 1 of step 3 so that the print side of the labels will face up.

- 2** While lifting up the media guide adjustment lever (1), push in both media guides (2) to fit the width of the paper.

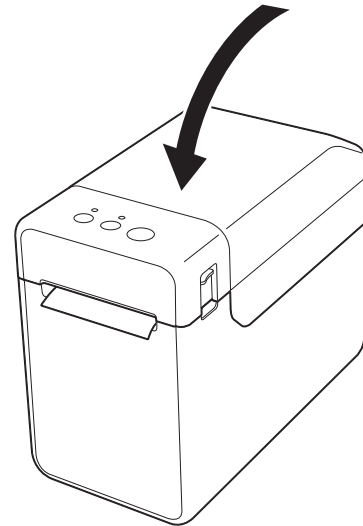


- 3** Feed the end of the RD Roll under the media tip guides (1).



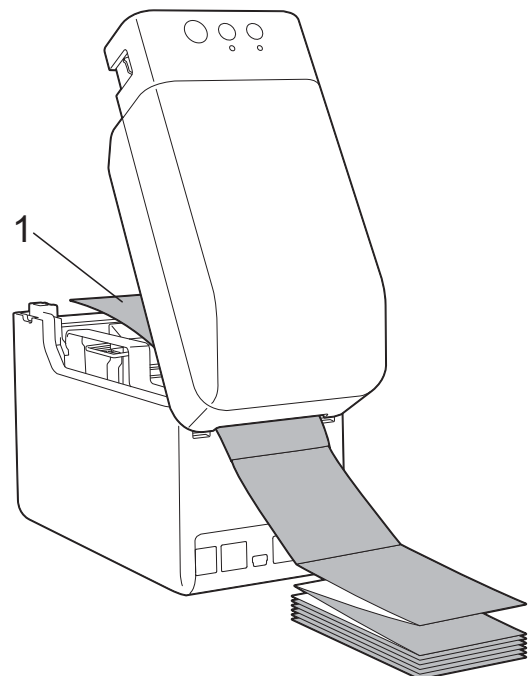
- 4** Position the end of the paper centred over the platen roller and slightly out of the media exit.

- 5** Close the RD Roll compartment top cover by pressing down on the centre, until it clicks into place.



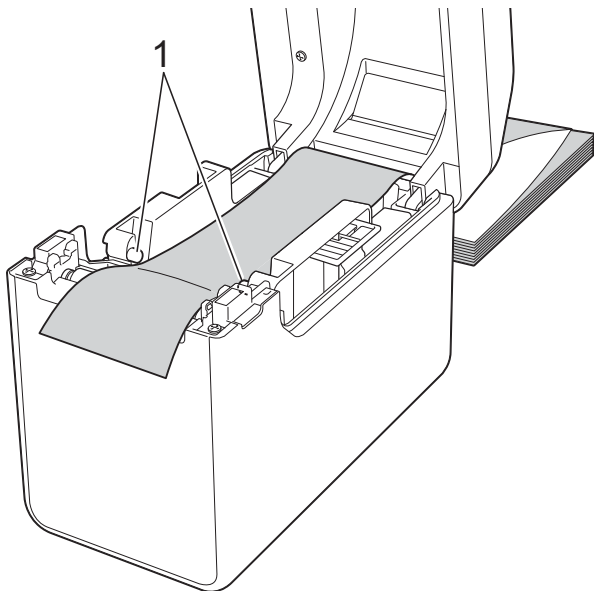
■ For fanfold paper

- 1** Insert the fanfold paper in the direction shown.

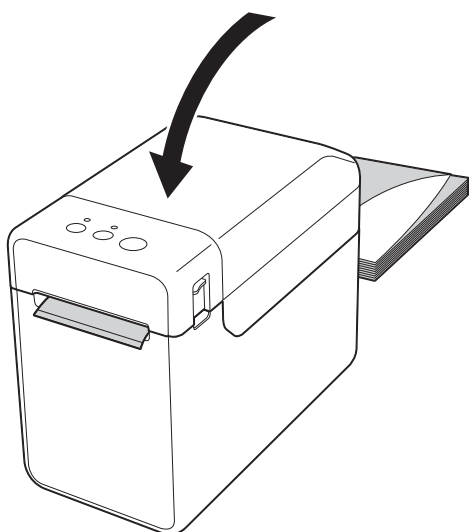



- 1** Print side

- 2** Feed the end of the fanfold paper under the media tip guides (1).

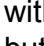


- 3** Position the end of the paper centred over the platen roller and slightly out of the media exit.
- 4** Close the RD Roll compartment top cover by pressing down on the centre, until it clicks into place.



- 4** Press the  (Power) button to turn the printer on.

## NOTE

If the paper size information for the die-cut labels being used has been registered with the printer, pressing the  (Feed) button will position the label at the correct starting position. For details, see *Registering Paper Size Information With the Printer* on page 9.


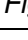
## Checking the Sensor Position

Check the sensor position for the type of paper being used.


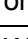
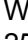
- With die-cut labels that have no black mark, the transmissive/gap sensor detects the beginning of the label and feeds the label to the correct position.
- With receipt paper that has no black mark, the reflective/black mark sensor detects if paper has run out.
- With media that has a black mark, the reflective/black mark sensor detects the mark and feeds the media to the correct position.

### With no black mark

- Die-cut labels

Align  on the sensor with  on the printer. (See *Figure 1.*)

- Receipt paper

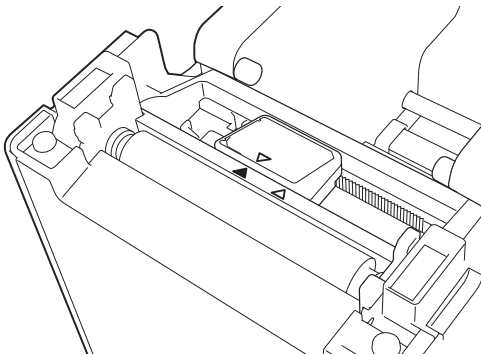
Width of 25 mm or more	Align  on the sensor with  on the printer. (See <i>Figure 1.</i> )
Width less than 25 mm	Align  on the sensor with  on the printer. (See <i>Figure 2.</i> )

### With a black mark

Align the black mark on the paper with the centerline of the reflective/black mark sensor. (See *Figure 3.*)

Make sure that there is at least 4 mm of the black mark on the left and right of the centerline for the reflective/black mark sensor.

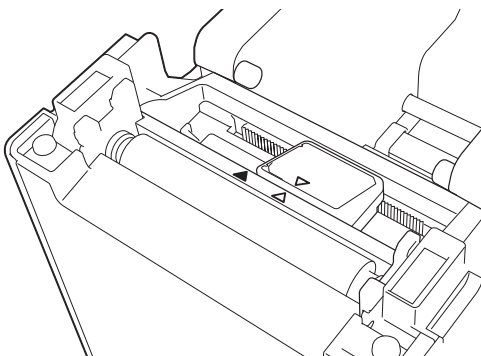
**Figure 1**



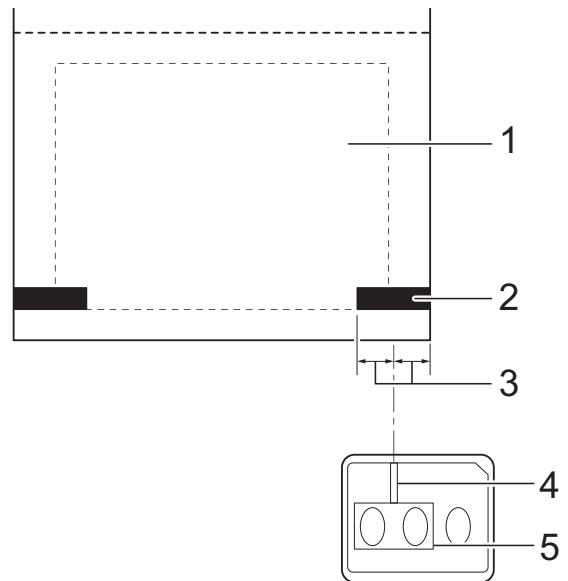
**NOTE**

The sensor is at this position immediately after the printer is purchased.

**Figure 2**



**Figure 3**



- 1 Back of media
- 2 Black mark
- 3 4 mm or more
- 4 Centre line
- 5 Reflective/black mark sensor

**NOTE**

When using receipt paper with the maximum width of 63 mm, make a black mark at least 9 mm long in from either the left or right edge of the paper so that the reflective/black mark sensor can detect the black mark. If the black mark is too short, it cannot be detected by the reflective/black mark sensor.


**Cutting Roll Paper**

Roll paper can be cut using the printer's tear bar. Pull one edge of the ejected paper up and diagonally toward the other edge.

**⚠ CAUTION**

The tear bar is sharp. To avoid injury, do not touch the tear bar.

## Printing the Printer Setup Information


You can use the  (Print) button to print a report that lists the following printer settings:

- Program version
- Printer usage history
- Missing dot test pattern
- List of transferred data
- Communication settings

### NOTE

---

- You can use [**Device settings**] of the “**Printer Setting Tool**” to set, in advance, which items will be printed. For details, see *Printer Information Report* on page 36.
- The node name will also appear in the communication settings. The default node name is “BRWxxxxxxxxxxxx”. (“xxxxxxxxxxxx” is based on your printer’s MAC address/Ethernet address.)

- 
- 1 Make sure that a roll of 58 mm receipt paper has been loaded, and the RD Roll compartment top cover is closed.
  - 2 Turn on the printer.
  - 3 Hold down (for at least 1 second) the  (Print) button until the POWER indicator starts blinking in green and the printer setup information is printed.

### NOTE

---

- For printing the printer setup information, we recommend using 58 mm receipt paper. The length required for printing differs depending on the information to be printed.
  - The printer setup information can also be printed from [**Device settings**] of the “**Printer Setting Tool**”. For details, see *Print Information Report* on page 41.
-



### Printer Setup Information Printing Sample

```

<<PRINTER CONFIGURATION>>
[Printer]
FormVer =1.00
Printer =TD-2020
PrintID =3335
SerialNo=H2Z345564
Region =US
ProgVer =V0.19
BootVer =V0.05
FontVer =V0.08
EEPROM =V0.010
PrnCt =0000000057
PrnDis =0000000002
RomFree =6288712byte

[Paper]
50mm x 30mm/1.9" x 1.1"
05 32 1E 00 36 24 00 78 01 C0 00 00 00 00 00 00
00 00 00 00 B3 01 00 00 00 00 00 00 00 00 00 00
00 00 00 00 00 00 00 00 00 00 00 00 00 00 00 00
00 00 00 00 00 00 00 00 00 00 00 00 35 30 6D 6D
20 78 20 33 30 6D 6D 00 00 00 00 00 31 2E 39 22
20 78 20 31 2E 31 22 00 00 00 00 00 00 00 08 01
00 00 18 00 00 00 00 00 01 18 00 00 00 00

[ERROR HISTORY(PAGES)]
Last =#01 Check Media
#01 =01(000,012)
#02 =01(000,007)
#03 =00(000,000)
#04 =00(000,000)
#05 =00(000,000)
#06 =00(000,000)
#07 =00(000,000)
#08 =00(000,000)
#09 =00(000,000)
#10 =00(000,000)

[Printer Settings]
Command Mode =P-touch Template
Print Density =+2
Print Priority =Quality
Print Data After Printing =Keep Print Data
Printer Information Reports =All
Feed When Cover Closed =Do not Feed
Power on when Plugged in =Disable
Auto Power Off =None
Default Print# =1
Exit Position =Tear
Print Key =Print Template
Serialize Mode =Cont From Last
Text Direction =Normal
Save Printer Print Log =Enable
    
```

```

[PDL]
FmtPrefix ='^' (5EH)
CtrPrefix = '~' (7EH)
Delimiter = ',' (2CH)

[Template List]
KEY Name Size Date/Time Connected Database Name
-----
1 fruits 2314B 2012/Nov/15 15:37 fruits_datalist
-----

[Database List]
KEY Name Size Date/Time
-----
1 fruits_datalist 174B 2012/Nov/15 15:37
-----

Available memory:6288712B
    
```

The printing sample is for illustrative purposes only.

## Connecting the Computer and Printer

The printer can be connected to your computer using any of the methods listed below.

- USB cable connection
- Wired LAN connection (TD-2120N/2130N only)
- Serial cable connection
- Wireless LAN connection (TD-2120N/2130N only)
- Bluetooth connection (TD-2120N/2130N only)

For details on connecting with the serial cable, see *Connecting the Computer and Printer With the RJ25 to DB9M Serial Adapter* on page 69.

For details on connecting with a wireless LAN, see *Connecting the Computer and Printer by Wireless LAN* on page 103.

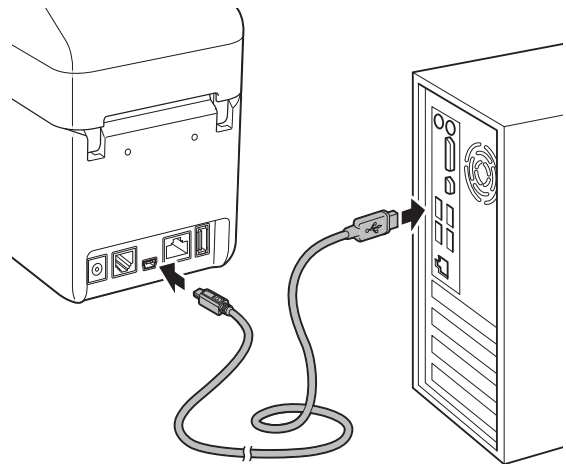
For details on connecting with Bluetooth, see *Connecting the Computer and Printer by Bluetooth* on page 105.

## USB Cable Connection



Before connecting the printer to the computer, install the printer driver.

- 1 Before connecting the USB cable, make sure that the printer is turned off.
- 2 Connect the printer end of the USB cable to the mini-USB port on the back of the printer.
- 3 Connect the other end of the USB cable to the USB port on the computer.



- 4 Turn on the printer.

## Wired LAN Connection (TD-2120N/2130N only)



In order for the printer to use a static IP address to communicate through a wired LAN connection, the printer driver and the “**Printer Setting Tool**” must first be installed, and the wired LAN connection settings must be specified. For details, see *Installing the Printer Driver and Software* on page 4.

- 1 Before connecting the LAN cable, make sure that the printer is turned off.

- 2 Connect the LAN cable to the ethernet network port on the back of the printer, and then turn on the printer.

## NOTE

---

- The printer's communication settings can be changed with [**Communication settings**] in the "**Printer Setting Tool**". For details, see *Communication Settings (TD-2120N/2130N only)* on page 27.
  - By using the "**Printer Setting Tool**", the communication settings can be changed and easily applied to multiple printers. For details, see *Applying Setting Changes to Multiple Printers* on page 33.
- 

## Printing Solutions

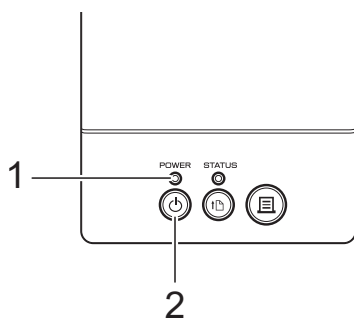
Your printer can be used with several versions of the Windows operating systems.

In most situations, the printer requires driver software to communicate with your computer. These drivers can be installed using the setup CD-ROM. We recommend that you visit the website to make sure that you have the latest version of the drivers. The latest versions can be downloaded from the support website. ([support.brother.com](http://support.brother.com)).

# Printing

There are various methods for printing with this printer. The following describes the procedure for printing from a computer.

- 1 Start P-touch Editor, and then open the document to be printed.  
For P-touch Editor users: Refer to the Software User's Guide included on the CD-ROM.
- 2 Check that the printer has the correct power source. (Make sure that the AC adapter is connected to an AC power socket or that a fully charged rechargeable Li-ion battery is installed.)
- 3 Turn on the printer. The POWER indicator lights in green.



1 **POWER** indicator

2  (Power) button

- 4 Connect the printer to a computer.  
For details on the connection methods and procedures, see *Connecting the Computer and Printer* on page 21.
- 5 Insert the RD Roll.  
For details, see *Inserting the RD Roll* on page 15.  
Be sure to use genuine Brother roll media.
- 6 If necessary, change the print settings using either the printer driver or the *Printer Setting Tool* on page 25.

- 7 Click [**Print**] in the computer program's menu.

The POWER indicator blinks in green to indicate that the printer is receiving data, and the document is printed.

- 8 Turn the printer off. The POWER indicator turns off.  
If you will continue using the printer, it is unnecessary to turn it off each time.

## Making Prints Lighter or Darker

You can make prints lighter or darker by adjusting the print density setting in the printer driver's dialog box or the "**Printer Setting Tool**". (See *Print Density* on page 36)

When using the rechargeable battery, changing the print density setting may result in slight changes in printing speed and the number of pages that can be printed on a single charge.

## Printer Driver Options

You can configure various settings in the printer driver's dialog box, such as paper size, number of copies, print quality, etc.

### NOTE

---

You can also use the “**Printer Setting Tool**” to configure more advanced settings.

For details, see *Printer Setting Tool* on page 25.

---

# 3


## Printer Setting Tool

### About the Printer Setting Tool

By using the “**Printer Setting Tool**”, the printer’s communication settings, device settings, P-touch Template settings and paper size settings can be specified from the computer.

#### NOTE

The “**Printer Setting Tool**” is installed at the same time as other software such as the printer driver. For details, see *Installer Screen* on page 5.

	The “ <b>Printer Setting Tool</b> ” is available only with compatible Brother printers.
---	---

### Before Using the Printer Setting Tool

- Make sure that the AC adapter is connected to an AC power socket or that the rechargeable battery is fully charged.
- Make sure that the printer driver has been installed and is functional.
- Connect this printer to a computer with a USB cable.

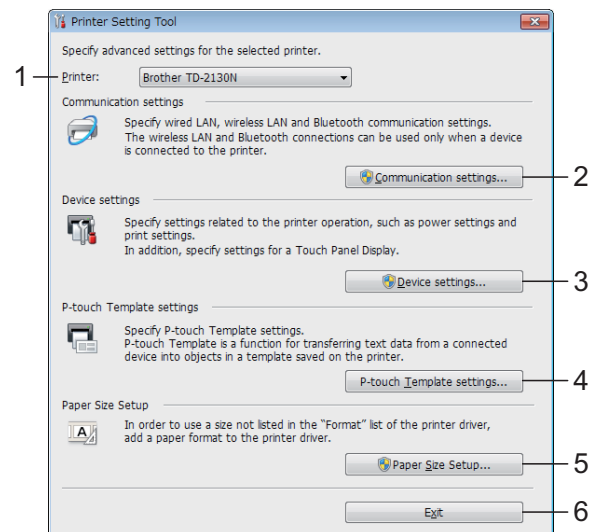
With this tool, settings cannot be specified using a wired LAN, wireless LAN or Bluetooth connection.

### Using the Printer Setting Tool

- 1 Connect the printer to be configured to the computer.
- 2 For Windows XP/Windows Vista/Windows 7: From the Start menu, click [All Programs] - [Brother] - [Label & Mobile Printer] - [Printer Setting Tool].

For Windows 8: Click the [Printer Setting Tool] icon on the [Start] or [Apps] screen.

The main window appears.



#### 1 Printer

Select the printer to be configured. If only one printer is connected, it is unnecessary to make a selection since only that printer will appear.

## 2 Communication settings (TD-2120N/2130N only)

Specify wired LAN, wireless LAN and Bluetooth communication settings. The wireless LAN and Bluetooth connections can be used only if the corresponding optional unit is attached to the printer and connection settings are completed.



In order to open [**Communication settings**], you must be logged on with administrator rights.

## 3 Device settings

Specify printer device settings, such as power settings and print settings. Settings can also be specified for the touch panel display (TD-2120N/2130N only).



In order to open [**Device settings**], you must be logged on with administrator rights.

## 4 P-touch Template settings

Specify P-touch Template settings.

## 5 Paper Size Setup

Add media information and settings to the printer driver in order to use a size not listed in the [**Paper Size**] list of the printer driver.



In order to open [**Paper Size Setup**], you must be logged on with administrator rights.

## 6 Exit

Closes the window.

- 3 Check that the printer to be configured appears beside [**Printer**]. If a different printer is displayed, select the desired printer from the drop-down list.

## NOTE

If only one printer is connected, it is unnecessary to make a selection since only that printer will appear.

- 4 Select the item for the settings to be specified, and then specify or change the settings in the dialog box that appeared.  
For details on the settings dialog boxes, see *Communication Settings (TD-2120N/2130N only)* on page 27, *Device Settings* on page 34, *P-touch Template Settings* on page 41 or *Paper Size Setup* on page 44.
- 5 After changing the settings, click [**Apply**] - [**Exit**] in the settings dialog box to apply the settings to the printer.
- 6 Click [**Exit**] in the main window to finish specifying settings.

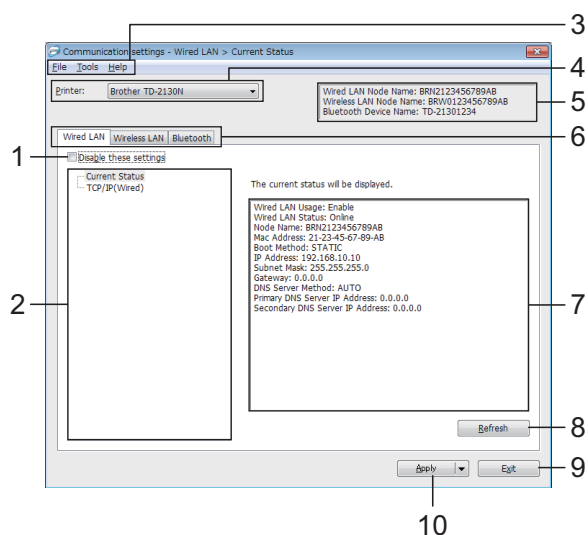


Only use "**Printer Setting Tool**" to configure the printer only when the printer is in standby. The printer may malfunction if you attempt to configure it while it is handling a job.


# Communication Settings (TD-2120N/2130N only)


With [Communication settings] in the “Printer Setting Tool”, the printer communication information can be specified or changed when connecting the printer and computer with a USB cable. Not only can you change the communication settings for one printer, but you can also easily apply the same settings to multiple printers.

## Settings Dialog Box



### 1 Disable these settings

When this check box is clicked,  appears in the tab, and the settings can no longer be specified or changed.

The settings in a tab where  appears will not be applied to the printer even if [Apply] is clicked. In addition, the settings in the tab will not be saved or exported when the [Save in Command File] or [Export] command is executed.

To apply the settings to the printer or save or export them, be sure to clear the check box.

### 2 Items

When [Current Status] is selected, the current settings appear in the settings display/change area.

Select the item for the settings that you want to change.

### 3 Menu Bar

Select a command contained in each menu from the list.

### 4 Printer

Selects the printer whose settings are to be changed.


If only one printer is connected, it is unnecessary to make a selection since only that printer will appear.

### 5 Node Name

Displays the node name. The node name can also be changed. (See *Change Node Name/Bluetooth Device Name* on page 30)

### 6 Settings Tabs

Click the tab containing the settings to be specified or changed.

If  appears in the tab, the settings in that tab will not be applied to the printer.

### 7 Settings Display/Change Area

Displays the current settings for the selected item. Change the settings as necessary using the drop-down menus, direct entry or other appropriate methods.

### 8 Refresh

Click to update the displayed settings with the most recent information.

### 9 Exit

Exits [Communication settings], and returns to the main window of the “Printer Setting Tool”.



Settings are not applied to printers if the [Exit] button is clicked without clicking the [Apply] button after changing settings.



## 10 Apply

Click [**Apply**] to apply the settings to the printer.

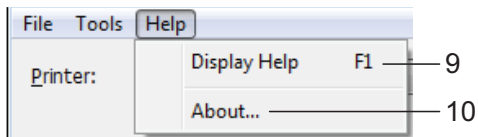
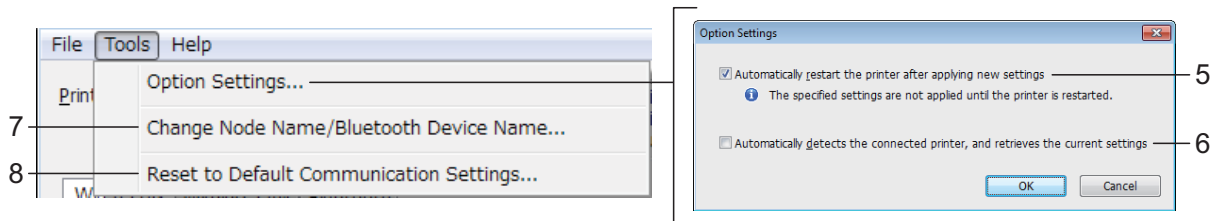
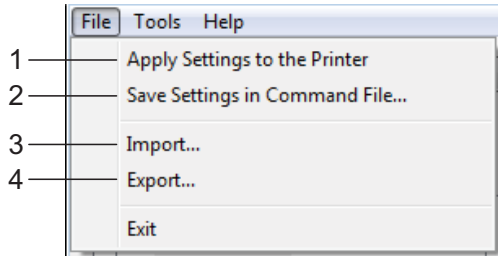
To save the specified settings in a command file, select [**Save in Command File**] from the drop-down menu. The saved command file can be used with the mass storage feature to apply the settings to a printer. (See *Mass Storage Functions* on page 48)



Clicking [**Apply**] applies all settings in all tabs to the printer.

If the [**Disable these settings**] check box is selected, the settings in that tab are not applied.

# Menu Bar



### 1 Apply Settings to the Printer

Applies the settings to the printer.

### 2 Save Settings in Command File

Saves the specified settings in a command file. The file extension is “.bin”.

The saved command file can be used with the mass storage feature to apply the settings to a printer. (See *Mass Storage Functions* on page 48)

### NOTE

If the [Disable these settings] check box is selected, the settings in that tab are not saved.

!	<ul style="list-style-type: none"> <li>■ The following information is not saved with the settings commands.                     <ul style="list-style-type: none"> <li>• Node name</li> <li>• IP address, subnet mask and default gateway (when the IP address is set to [STATIC])</li> </ul> </li> </ul>
---	---

!	<ul style="list-style-type: none"> <li>■ The saved communication settings commands are only intended to be used for applying settings to a printer. The settings cannot be applied by importing this command file.</li> <li>■ Saved command files contain authentication keys and passwords. Take necessary measures to protect saved command files, such as by saving them in a location that cannot be accessed by other users.</li> <li>■ Do not send the command file to a printer whose model was not specified when the command file was exported.</li> </ul>
---	---

### 3 Import

- **Import from the current computer wireless settings**  
Imports the settings from the computer.

**NOTE**

- Only personal security authentication settings (open system, public key authentication and WPA/WPA2-PSK) can be imported. Enterprise security authentication (such as LEAP and EAP-FAST) and WPA2-PSK (TKIP) settings cannot be imported.
- If multiple wireless LANs are enabled for the computer being used, the first wireless settings (only personal settings) that are detected will be imported.
- Only settings (communication mode, SSID, authentication method, encryption mode and authentication key) from the **[Wireless LAN]** tab - **[Wireless Settings]** pane can be imported.

---

**■ Select a Profile to import**

Imports the exported file and applies the settings to a printer.

Click **[Browse]** to display a dialog box to browse for the file. Select the file to be imported. The settings in the selected file appear in the settings display/change area.

**NOTE**

- All settings, such as wireless settings or TCP/IP settings, can be imported. However, node names cannot be imported.
- Only profiles that are compatible with the selected printer can be imported.
- If the imported profile's IP address is set to **[STATIC]**, change the IP address of the imported profile, if necessary, so that it does not duplicate the IP address of an existing printer on the network.

**4 Export**

Saves the current settings in a file.

**NOTE**

If the **[Disable these settings]** check box is selected, the settings in that tab are not saved.

**5 Automatically restart the printer after applying new settings**

If this check box is selected, the printer automatically restarts after communication settings are applied.

If this check box is cleared, printers must be manually restarted.

**NOTE**

When configuring multiple printers, you can reduce the time required to change settings by clearing this check box. In this case, we recommend selecting this check box when configuring the first printer so that you can confirm that each setting is operating as intended.

**6 Automatically detects the connected printer, and retrieves the current settings.**

If this check box is selected and a printer is connected to the computer, the printer is automatically detected and the printer's current settings are displayed in the **[Current Status]** pane.

**NOTE**

If the model of the connected printer is different than that of the printer shown in the **[Printer]** drop-down list, the settings available on all tabs change to match the connected printer.

**7 Change Node Name/Bluetooth Device Name**

Allows each node name to be changed.

**8 Reset to Default Communication Settings**

Returns the communication settings to their factory defaults.

**9 Display Help**

Displays the Help.

**10 About**

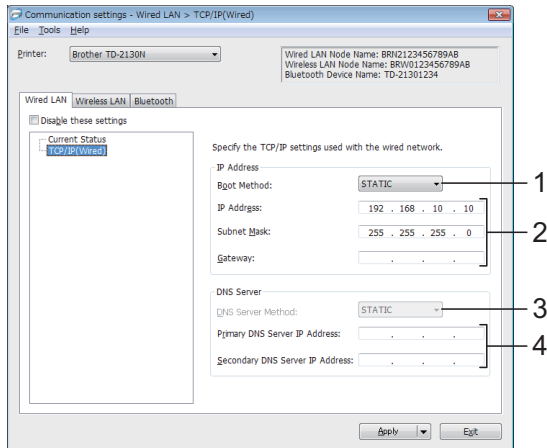
Displays the version information.



Exported files are not encrypted.

## Wired LAN/Wireless LAN Tabs

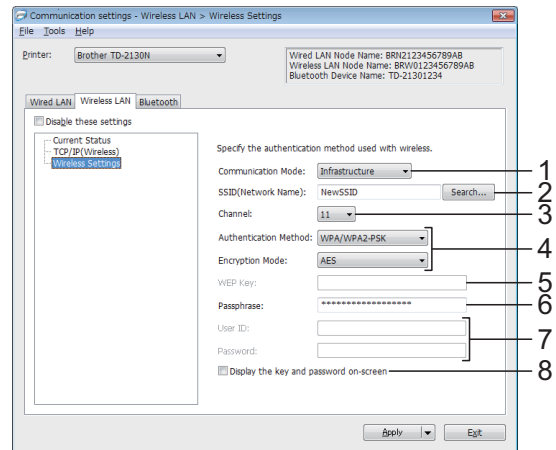
### TCP/IP (Wired)



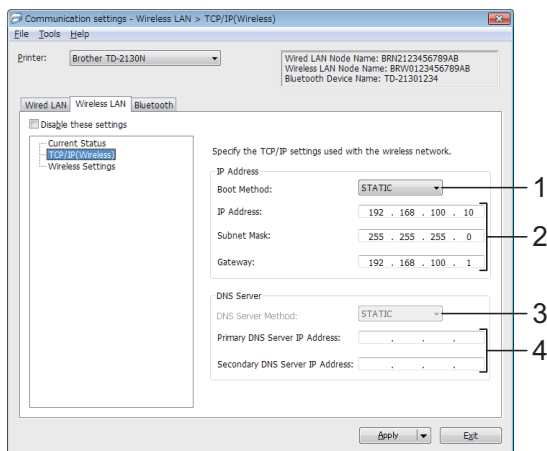
### 4 Primary DNS Server IP Address/Secondary DNS Server IP Address

You can only enter settings when the DNS server is set to **[STATIC]**.

### Wireless Settings



### TCP/IP (Wireless)



### 1 Boot Method

Select **[STATIC]**, **[AUTO]**, **[BOOTP]**, **[DHCP]** or **[RARP]**.

### 2 IP Address/Subnet Mask/Gateway

Specify the various values.

You can only enter settings when the IP address is set to **[STATIC]**.

### 3 DNS Server Method

Select **[STATIC]** or **[AUTO]**.

### 1 Communication Mode

Select **[Ad-hoc]** or **[Infrastructure]**.

## NOTE

Not all computers, mobile devices, and operating systems, may support Ad-hoc mode.

### 2 SSID (Network Name)

Click the **[Search]** button to display the SSID selections in a separate dialog box.

### 3 Channel

Select from the displayed options.

### 4 Authentication Method/Encryption Mode

The supported encryption modes for the various authentication methods are as shown in *Communication Modes and Authentication Methods/Encryption Modes* on page 32.

### 5 WEP Key

You can only specify a setting when WEP is selected as the encryption mode.

### 6 Passphrase

You can only specify a setting when WPA-PSK, WPA2-PSK, or WPA-PSK/WPA2-PSK is selected as the authentication method.

## 7 User ID/Password

You can only specify settings when LEAP, EAP-FAST, EAP-TTLS or EAP-TLS is selected as the authentication method. In addition, with EAP-TLS, it is not necessary to register a password, but a client certificate must be registered. To register a certificate, connect to the printer from a web browser, and then specify the certificate. For details on using a web browser, see *Web Based (Web Browser) Management (TD-2120N/2130N only)* on page 49.

## 8 Display the key and password on-screen

If this check box is selected, keys and passwords will be displayed in plain text (non-encrypted text).

## Communication Modes and Authentication Methods/Encryption Modes

- When [Communication Mode] is set to [Ad-hoc]

Authentication Method	Encryption Mode
Open System	None
	WEP

- When [Communication Mode] is set to [Infrastructure]

Authentication Method	Encryption Mode
Open System	None
	WEP
Shared Key	WEP
WPA-PSK	TKIP
	AES
WPA2-PSK	AES
WPA/WPA2-PSK	TKIP
	AES
LEAP	CKIP
EAP-FAST/NONE	TKIP
	AES

Authentication Method	Encryption Mode
EAP-FAST/MS-CHAP v2	TKIP
	AES
EAP-FAST/GTC	TKIP
	AES
PEAP/MS-CHAPv2	TKIP
	AES
PEAP/GTC	TKIP
	AES
EAP-TTLS/CHAP	TKIP
	AES
EAP-TTLS/MS-CHAP	TKIP
	AES
EAP-TTLS/MS-CHAPv2	TKIP
	AES
EAP-TTLS/PAP	TKIP
	AES
EAP-TLS	TKIP
	AES

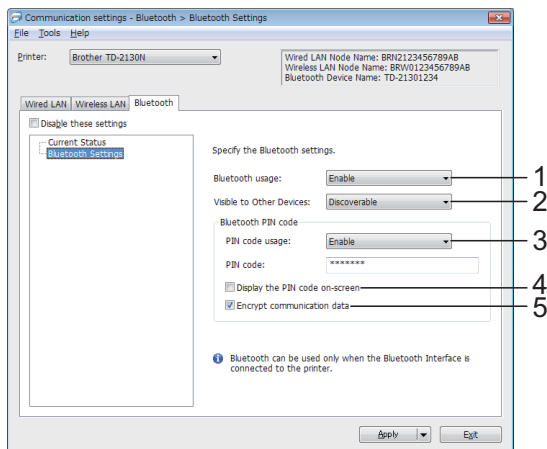


To perform higher level security settings:

When performing certificate verification with EAP-FAST, PEAP, EAP-TTLS or EAP-TLS authentication methods, the certificate cannot be specified from the Network Setting Tool. After the printer has been set so that it can connect to the network, specify the certificate by accessing the printer from a web browser.

For details on using a web browser, see *Web Based (Web Browser) Management (TD-2120N/2130N only)* on page 49.

## Bluetooth Tab



### 1 Bluetooth usage

Select whether or not to enable a Bluetooth connection.

Available settings: **[Enable]**, **[Disable(serial port)]**

### 2 Visible to Other Devices

Select whether the printer can be “discovered” by other Bluetooth devices.

Available settings: **[Discoverable]**, **[Not Discoverable]**

### 3 PIN code usage

If **[Enable]** is selected, the PIN code specified here must also be stored on the computer in order to communicate with the printer when using Bluetooth. You can change the PIN code if necessary.

Available settings: **[Enable]**, **[Disable]**

### 4 Display the PIN code on-screen

If this check box is selected, PIN codes will be displayed in computer windows.

### 5 Encrypt communication data

If this check box is selected, Bluetooth communication data will be encrypted before it is sent.

## Applying Setting Changes to Multiple Printers

- 1 After applying settings to the first printer, disconnect the printer from the computer, and then connect the second printer to the computer.
- 2 Select the newly connected printer from the **[Printer]** drop-down box.

### NOTE

If the **[Automatically detects the connected printer, and retrieves the current settings.]** check box in the **[Option Settings]** dialog box is selected, the printer connected with the USB cable is automatically selected.

For details, see *Automatically detects the connected printer, and retrieves the current settings.* on page 30.

- 3 Click the **[Apply]** button.  
The same settings that were applied to the first printer are applied to the second printer.

### NOTE

If the **[Automatically restart the printer after applying new settings]** check box is cleared, the printers will not be restarted after the settings are changed, reducing the time required to configure the printers. However, we recommend selecting the **[Automatically restart the printer after applying new settings]** check box when configuring the first printer so that you can confirm that a connection with the access point can be correctly established with the settings. For details, see *Automatically restart the printer after applying new settings* on page 30.

- 4 Repeat steps 1 – 3 for all the printers whose settings you wish to change.

<b>!</b>	If the IP address is set to <b>[STATIC]</b> , the printer's IP address will also be changed to the same address as the first printer. Change the IP address if necessary.
----------	--

## NOTE

To save the current settings in a file, click **[File] - [Export]**.

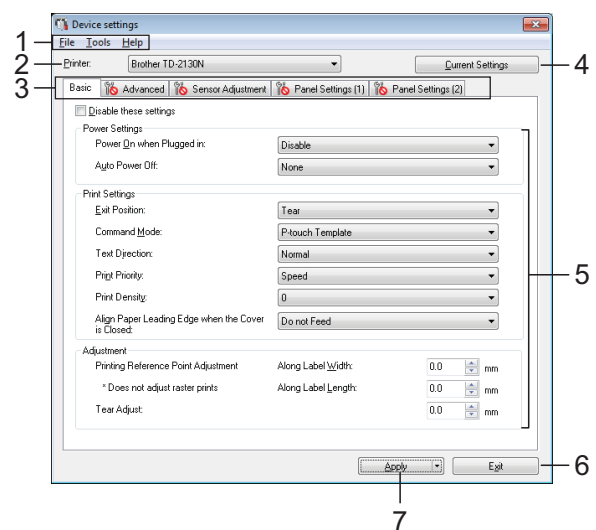
The same settings can be applied to another printer by clicking **[File] - [Import]**, then selecting the exported settings file. (See *Import* on page 29)

## Device Settings

With **[Device settings]** in the “**Printer Setting Tool**”, default printer settings as well as settings for the touch panel display (optional, TD-2120N/2130N only) can be changed.

When printing from a computer application, various printing settings can be specified from the printer driver; however, by using **[Device settings]** in the “**Printer Setting Tool**”, more advanced settings can be specified.

When **[Device settings]** is opened, the printer's current settings are retrieved and displayed. If the current settings could not be retrieved, the previous settings are displayed. If the current settings could not be retrieved and previous settings have not been specified, this tool's default settings are displayed.



### 1 Menu Bar

Select a command contained in each menu from the list.

### 2 Printer


Select the printer whose device settings are to be specified.

If only one printer is connected, it is unnecessary to make a selection since only that printer will appear.

### 3 Settings Tabs

Click the tab containing the settings to be specified or changed.

#### NOTE

- If  appears in the tab, the settings in that tab cannot be specified or changed. In addition, the settings in the tab will not be applied to the printer even if **[Apply]** is clicked. The settings in the tab will also not be saved or exported when the **[Save in Command File]** or **[Export]** command is executed.
- “**Panel Settings (1)**” and “**Panel Settings (2)**” appear only if TD-2120N/2130N is selected for **[Printer]**. Specify the settings when the touch panel display (optional) is used.

### 4 Current Settings

Click this button to retrieve the settings from the currently connected printer and display them in the dialog box. Settings will also be

retrieved for parameters on tabs with .

#### NOTE

When the **[Current Date/Time]** button is clicked, the current time is retrieved from the computer and displayed for **[Set Clock]** in the “**Panel Settings (2)**” tab. (In order to specify the clock settings, the touch panel display must be attached.)

### 5 Parameters

Displays the current settings. Change the settings as necessary using the drop-down menus, direct entry or other appropriate methods.

### 6 Exit

Exits **[Device settings]**, and returns to the main window of the “**Printer Setting Tool**”.

### 7 Apply

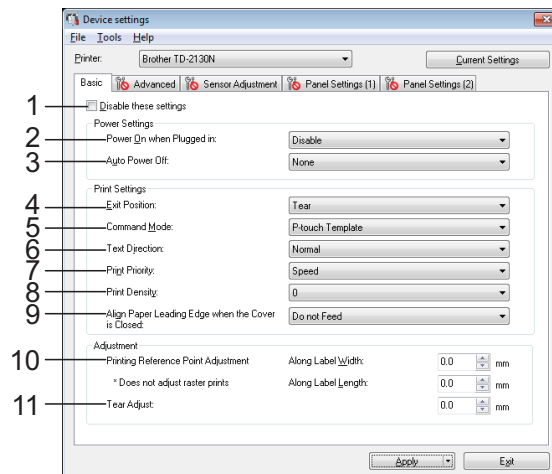
Click **[Apply]** to apply the settings to the printer.

To save the specified settings in a command file, select **[Save in Command File]** from the drop-down menu.


The saved command file can be used with the mass storage feature to apply the settings to a printer. (See *Mass Storage Functions* on page 48)


## Settings Tabs

### Basic Tab



#### 1 Disable these settings

When this check box is clicked,  appears in the tab, and the settings can no longer be specified or changed.

The settings in a tab where  appears will not be applied to the printer even if **[Apply]** is clicked. In addition, the settings in the tab will not be saved or exported when the **[Save in Command File]** or **[Export]** command is executed.

To apply the settings to the printer or save or export them, be sure to clear the check box.

#### 2 Power On when Plugged in

Select whether or not the printer turns on automatically when the AC power cord is plugged into an AC power socket.

Available settings: **[Enable]**, **[Disable]**

#### 3 Auto Power Off

Specify the amount of time that passes before the printer turns off automatically.

Available settings: **[None]**, 10 min. to 60 min. (10 min. increments)

#### 4 Exit Position (TD-2120N/2130N only)

Select the media output location.

Available settings: **[Tear]**, **[Peeler]**



**5 Command Mode**

Select the printer's command format.

Available settings: **[Raster]**, **[ESC/P]**, **[P-touch Template]**

**6 Text Direction**

Select the printing orientation.

Available settings: **[Normal]**, **[Inverted 180 Degrees]**

This setting is applied only if the printer driver is not used. If the printer driver is used, the setting specified in the printer driver will be applied.

**7 Print Priority**

Select the printer's print quality.

Available settings: **[Quality]**, **[Speed]**

**NOTE**

**[Print Priority]** can also be changed using the printer driver, however, the setting will be erased when the printer is turned off. If the setting is changed using this tool, it will be retained even when the printer is turned off. Therefore, if you plan on printing without using the printer driver, use this tool to change this setting.

**8 Print Density**

Adjust the printer's printing density.

Available settings: -5~+5

**9 Align Paper Leading Edge when the Cover is Closed**

Select whether or not the paper is automatically fed when the cover is closed.

Available settings: **[Feed]**, **[Do not Feed]**

**10 Printing Reference Point Adjustment**

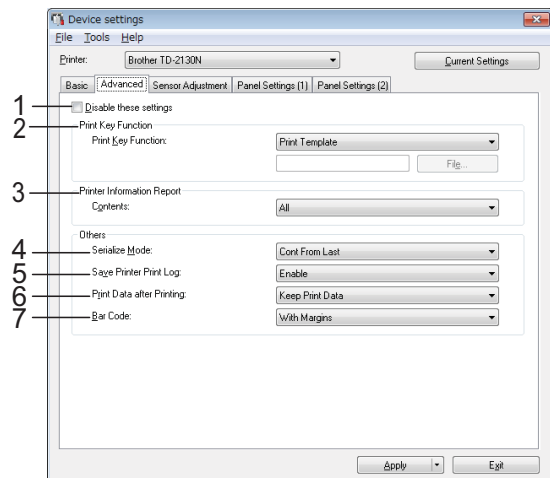
Adjust the position of the reference point (point of origin for printing). This corrects printing misalignments resulting from differences in printer models or from the fixed margins of some applications.


The reference point cannot be adjusted for raster printing.


**11 Tear Adjust**

Adjust the cutting position when the paper is cut using the tear bar.

Available settings: -10.0 mm to 10.0 mm


**Advanced Tab****1 Disable these settings**

When this check box is clicked,  appears in the tab, and the settings can no longer be specified or changed.

The settings in a tab where  appears will not be applied to the printer even if **[Apply]** is clicked. In addition, the settings in the tab will not be saved or exported when the **[Save in Command File]** or **[Export]** command is executed.

To apply the settings to the printer or save or export them, be sure to clear the check box.

**2 Print Key Function**

Select the operation that is performed when the  (Print) button is pressed.

If **[Program Settings]** is selected, click the **[File]** button and select the command file.

Available settings: **[Print Template]**, **[Printer Information Report]**, **[Disable Key]**, **[Program Settings]**

**3 Printer Information Report**

Select which sections are printed when printing the printer setup information.

Available settings: **[All]**, **[Usage Log]**, **[Printer Settings]**, **[Printer Transfer Data]**

(See *Printing the Printer Setup Information* on page 19)

**4 Serialize Mode**

Select whether or not to serialize from the last number printed.

Available settings: [**Cont From Last**], [**From Starting#**]

**5 Save Printer Print Log**

Select whether nor not to save the printer's print log. If [**Disable**] is selected, [**Tools**] - [**Save Print Log in File**] cannot be performed.

Available settings: [**Enable**], [**Disable**]

**6 Print Data after Printing**

Select whether or not print data is erased automatically after it is printed.

Available settings: [**Erase All Print Data**], [**Keep Print Data**]

**7 Bar Code\***

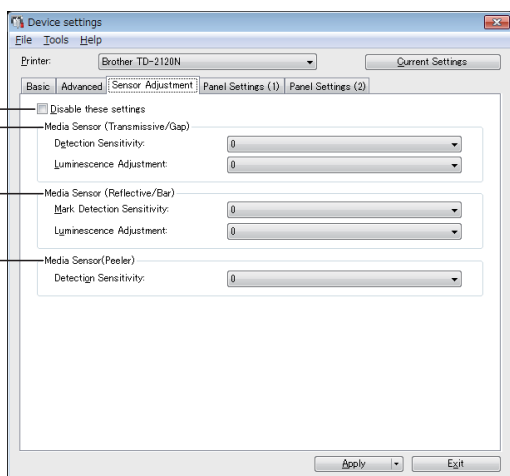
Select whether or not margins are added around barcodes.

Available settings: [**With Margins**], [**No Margins**]


\* If this parameter does not appear in the tab, update the printer driver to the newest version. The newest version can be downloaded from the support website. [support.brother.com](http://support.brother.com)


**Sensor Adjustment Tab**

If RD Rolls are being used, it is unnecessary to adjust the sensors.



**1 Disable these settings**

When this check box is clicked,  appears in the tab, and the settings can no longer be specified or changed.

In addition, the settings in a tab where  appears will not be applied to the printer even if [**Apply**] is clicked. To apply the specified or changed settings to the printer, be sure to clear the check box.

**2 Media Sensor (Transmissive/Gap)**

The following transmissive/gap sensor parameters can be adjusted.

[**Detection Sensitivity**]

Adjust the precision of the sensor that detects the gaps (spacing) for die-cut labels.

Available settings: -2--+2

[**Luminescence Adjustment**]

Adjust the amount of light emitted by the transmissive/gap sensor.

Available settings: -2--+2

**3 Media Sensor (Reflective/Bar)**

The following reflective/black mark sensor parameters can be adjusted.

[**Mark Detection Sensitivity**]

Adjust the precision of the sensor that detects the black marks.

Available settings: -2--+2

[**Luminescence Adjustment**]

Adjust the amount of light emitted by the reflective/black mark sensor.

Available settings: -2--+2

**4 Media Sensor (Peeler) (TD-2120N/2130N only)**

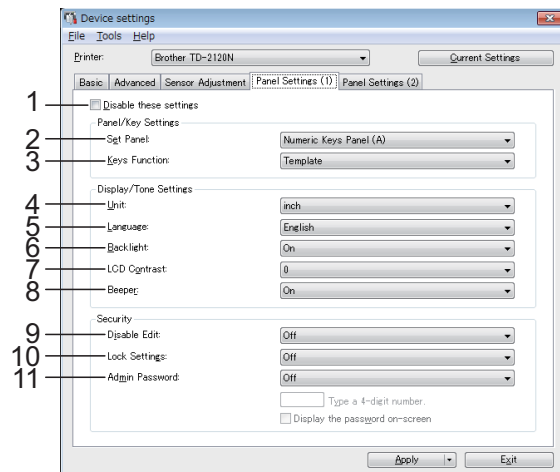
This appears only if TD-2120N/2130N is selected for [**Printer**]. Specify the settings when the label peeler (optional) is used.

Adjust the precision of the sensor that detects whether the label has been peeled.

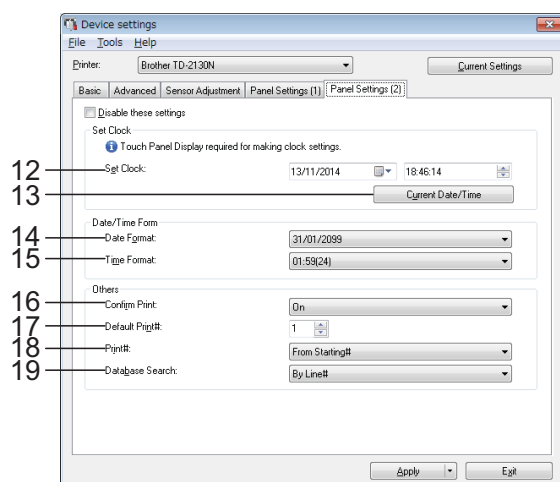
Available settings: -2--+2

## Panel Settings (1)


Specify the settings when the touch panel display (optional) is used (TD-2120N/2130N only).




## Panel Settings (2)



### 1 Disable these settings

When this check box is clicked,  appears in the tab, and the settings can no longer be specified or changed.

The settings in a tab where  appears will not be applied to the printer even if **[Apply]** is clicked. In addition, the settings in the tab will not be saved or exported when the **[Save in Command File]** or **[Export]** command is executed. To apply the settings to the printer or save or export them, be sure to clear the check box.

### 2 Set Panel

Select the touch panel to be used.

Available settings: **[Numeric Keys Panel (A)]**, **[One Touch Keys Panel (B)]**

### 3 Keys Function

Select the type of data assigned to keys in the one-touch panel.

To assign templates, select **[Template]**.

To assign databases linked to a single template, select **[Database]**.

Available settings: **[Template]**, **[Database]**

### 4 Unit

Select the measurement units for displayed settings.

Available settings: **[mm]**, **[inch]**

### 5 Language

Select the language of the touch panel display.

Available settings: **[Dansk]**, **[Deutsch]**, **[English]**, **[Español]**, **[Français]**, **[Italiano]**, **[Nederlands]**, **[Norsk]**, **[Português]**, **[Suomi]**, **[Svenska]**, **[中文]**, **[日本語]**

## NOTE

The possible display languages differ depending on the printer model being used. If the selected language cannot be used for the touch panel display, the display language will not be changed.

Make sure that the touch panel display can display the selected language.

### 6 Backlight

Select whether the LCD display backlight is turned on.

Available settings: **[On]**, **[Off]**

### 7 LCD Contrast

Select the LCD display contrast.

Available settings: -2–+2

### 8 Beeper

Select whether the printer beeps when a touch panel key is pressed.

Available settings: [On], [Off]

### 9 Disable Edit

Select whether or not label layouts can be edited.

Available settings: [On], [Off]

### 10 Lock Settings

Select whether or not settings selected by pressing [⚙️] (settings key) on the touch panel display can be changed.

Available settings: [On], [Off]

### 11 Admin Password

Set a password for accessing basic settings specified by pressing [🔑] (admin key) on the touch panel display. Set a 4-digit password. If the [Display the password on-screen] check box is selected, specified passwords will be displayed in computer windows.

### 12 Set Clock

Set the date and time for the touch panel display.

In order to specify the time settings, the touch panel display must be attached.

### 13 Current Date/Time

Click to retrieve the current date and time from the computer and display them.

### 14 Date Format

Select the date format for the clock.

### 15 Time Format

Select the time format for the clock.

### 16 Confirm Print

Select whether a message appears before printing so that the number of copies can be confirmed.

Available settings: [On], [Off]

### 17 Default Print#

Specify the default number of copies that appears when printing.

Available settings: 1–999

### 18 Print#\*

Select whether or not the number of copies set from the TDU, remains set after the copies are printed.

This TDU setting is applied until the printer is turned off.

Available settings: [From Starting#], [Cont from Last]

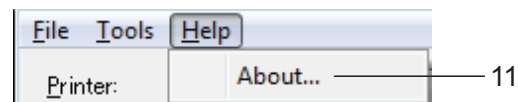
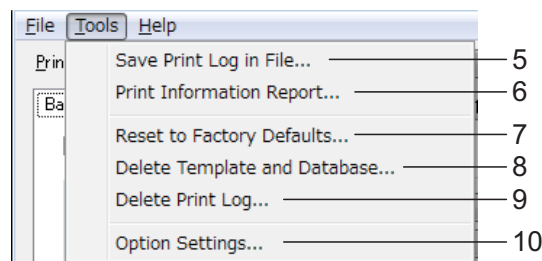
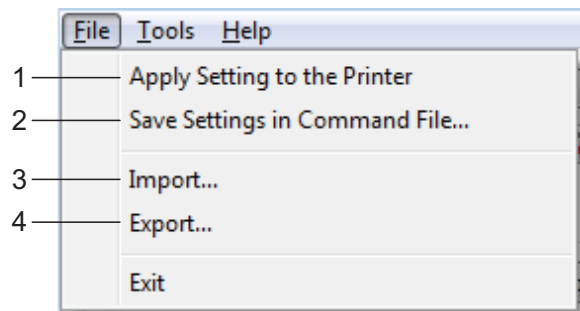
### 19 Database Search\*

When using a template with a linked database, select whether to search for database records by their line number or by their data.

Available settings: [By Line#], [By Data]

\* If this parameter does not appear in the tab, update the printer driver to the newest version. The newest version can be downloaded from the support website. [support.brother.com](http://support.brother.com)

## Menu Bar



### 1 Apply Settings to the Printer

Applies the settings to the printer.  
Performs the same operation as when the **[Apply]** button is clicked.

### 2 Save Settings in Command File

Saves the specified settings in a command file.  
Performs the same operation as when **[Save in Command File]** is selected from the **[Apply]** drop-down list.

### 3 Import

Imports the exported file and applies the settings to this tool.

### 4 Export

Saves the current settings in a file.

### 5 Save Print Log in File

Saves the print log in a file in the CSV format.  
The following information is included in the print log:

- Printing time/date (only when using the touch panel display. The time when printing finished is recorded for the time.)
- Key number\*
- Template name\*
- Name of database linked to template\*
- Number of records in database\*
- Number of copies printed
- Error information

\* Only when printing templates saved on the printer

## NOTE


The print log cannot be saved in a file if **[Save Printer Print Log]** in the **[Advanced]** tab has been set to **[Disable]** and the setting has already been applied to the printer.

## 6 Print Information Report

The following printer settings will be printed.

- Program version
- Printer usage history
- Missing dot test pattern
- List of transferred data
- Communication settings

### NOTE

The printer setup information can also be printed by using the  (Print) button. For details, see *Printing the Printer Setup Information* on page 19.

## 7 Reset to Factory Defaults

Returns all printer settings, including the communication settings, to their factory defaults. However, templates and databases stored in the printer and the print log are not deleted.

## 8 Delete Template and Database

Deletes the templates and databases stored in the printer.

## 9 Delete Print Log

Deletes the print log stored in the printer.

## 10 Option Settings

If the [**Do not display an error message if the current settings cannot be retrieved at startup.**] check box is selected, a message will not be displayed next time.

## 11 About

Displays the version information.

# P-touch Template Settings

P-touch Template mode provides functions for inserting data from a device, such as a barcode reader connected to the printer, into text and barcode objects in layouts saved on the printer. This is useful for easily printing labels and barcodes.

With [**P-touch Template settings**] in the “**Printer Setting Tool**”, settings for using the P-touch Template functions can be specified or changed.

## P-touch Template

The following are the P-touch Template functions.

### Basic operations

#### ■ Preset template printing

If frequently used label layouts are stored in the printer, labels can be reprinted by simply scanning the barcode for each label layout.

#### ■ Barcode printing

A barcode scanned with the barcode reader can be printed with the protocol and size of a previously created template.

#### ■ Database-assisted label printing

By linking objects in a label layout to a database, then scanning the key barcodes for the database, labels can be printed with objects in the template replaced with database data.

### Advanced operations

#### ■ Numbering function (serialized number) printing

Labels can be printed while automatically incrementing a number or barcode in the label.

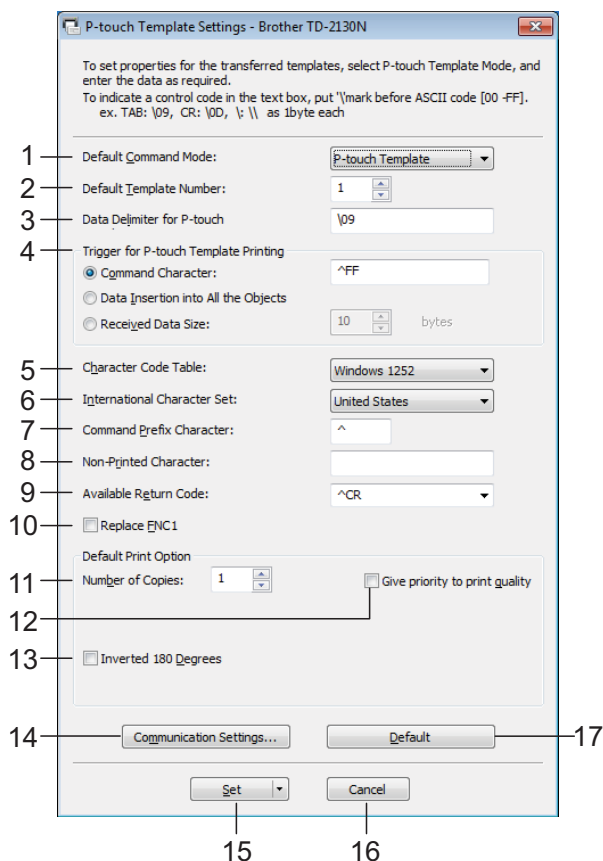
**NOTE**

For details on using the P-touch Template functions, see the Software User's Guide included on the CD-ROM. In addition, if command reference is used, see the P-touch Template Command Reference. The latest versions can be downloaded from the support website.

[support.brother.com](http://support.brother.com)

Select the product, and then select **[Manuals]**.

## P-touch Template Settings Dialog Box

**1 Default Command Mode**

In order to use P-touch Templates, select the **[P-touch Template]** mode.

Available settings: **[P-touch Template]**, **[ESC/P]**, **[Raster]**

**2 Default Template Number**

Specify the template number selected as the default when the printer is turned on.

However, if any template has been set to not be transferred to the printer, the number of that template cannot be specified.

**3 Data Delimiter for P-touch**

A delimiter is the symbol used to indicate when to move to the next object in the data that is being sent. Between 1 and 20 characters can be specified.

**4 Trigger for P-touch Template Printing**

Select one of the following three options for the print start trigger.

**[Command Character]**: Printing starts when the command character specified here is received.

**[Data Insertion into All the Objects]**: Printing starts when the delimiter for the last object is received.

**[Received Data Size]**: Printing starts when the number of characters specified here is received. However, delimiters are not counted in the number of characters.

**5 Character Code Table**

Select one of the following three character code sets.

Available settings: **[Windows1252]**, **[Windows1250]**, **[Brother standard]**

**6 International Character Set**

Select one of the following countries for the character set.

Available settings: **[United States]**, **[France]**, **[Germany]**, **[Britain]**, **[Denmark I]**, **[Sweden]**, **[Italy]**, **[Spain I]**, **[Japan]**, **[Norway]**, **[Denmark II]**, **[Spain II]**, **[Latin America]**, **[South Korea]**, **[Legal]**

The following 12 codes are switched depending on the country selected from those listed above.

23h 24h 40h 5Bh 5Ch 5Dh 5Eh 60h 7Bh 7Ch 7Dh 7Eh

For the characters that are switched, see the P-touch Template Command Reference (which can be downloaded from the Brother support website).

### 7 Command Prefix Character

Change the prefix character code. Set a single character code.

The prefix character is a code to identify commands used in P-touch Template mode.

### 8 Non-Printed Character

The characters specified here are not printed when data is received. Specify 1 to 20 characters.

### 9 Available Return Code

The line feed code is used when feeding data to indicate that the following data should be moved to the next line in a text object. One of the following four line feed codes can be selected, or 1 to 20 characters can be specified as the line feed code.

Available settings: [^CR], [\0D\0A], [\0A], [\0D]

### 10 Replace FNC1

Select whether or not GS codes, which are included in barcode protocols such as GS1-128 (UCC/EAN-128), are replaced with FNC1 codes.

If this check box is selected, a received GS code is replaced with the FNC1 code. If this check box is cleared, a received GS code is outputted as is.

### 11 Number of Copies

Set the number of copies. A number between 1 and 99 can be specified.

### 12 Give priority to print quality

Select the print quality setting. If this check box is selected, priority is given to the print quality.

If this check box is cleared, priority is given to the print speed.

### 13 Inverted 180 Degrees

If this check box is selected, the data will be printed after it has been rotated 180 degrees.

### 14 Communication Settings

Sets the following parameters for serial communication:

**Baud Rate:** From [300] bps to [115200] bps

**Bit Length:** [7] bits, [8] bits

**Parity:** [None], [Odd], [Even]

**Busy Control:** [DTR], [XON/XOFF]

### 15 Set

After the [Set] button (in the main dialog box or the Communications Settings dialog box) is clicked, the settings are saved as an .ini file when the dialog box is closed.

To save the specified settings in a command file, select [Save in Command File] from the drop-down menu. The saved command file can be used with the mass storage feature to apply the settings to a printer. (See *Mass Storage Functions* on page 48)

### 16 Cancel

Cancels the settings and closes the dialog box. The settings will remain unchanged.

### 17 Default

Click this button to return the settings (including those in the [Communication Settings] dialog box) to their factory defaults.



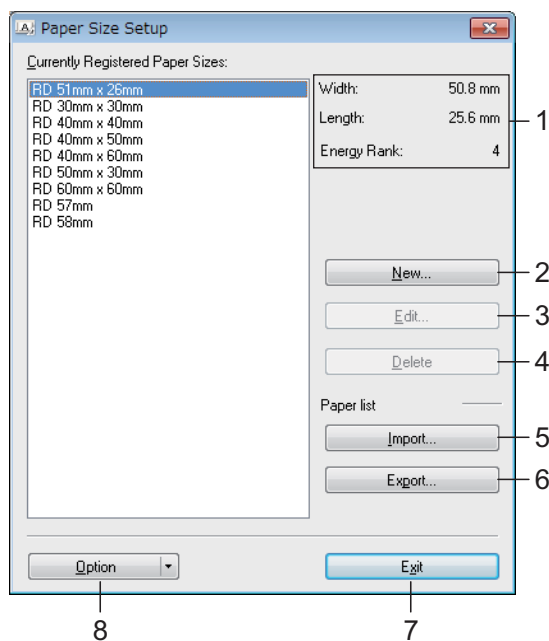
# Paper Size Setup

With **[Paper Size Setup]** in the “**Printer Setting Tool**”, paper sizes not available in the **[Paper Size]** list of the printer driver can be added.

As opposed to specifying paper settings for a normal printer, the paper format must be sent to the printer in order to add the paper size to the printer.

Printing with a paper format not registered with the printer may not provide the intended print results.

## Paper Size Setup Dialog Box



### 1 Current settings

Displays the current settings for the selected paper format.

### 2 New

Click this button to display the **[New]** dialog box and register a new paper format. For details, see *New Dialog Box* on page 45.



Do not register a paper size if the same paper size has already been registered. It may cause an unintended result.

If you wish to use paper of the same size as one that is currently registered, select the desired size from the **[Currently Registered Paper Sizes]** list in the **[Paper Size Setup]** dialog box, and then change the settings from the **[Edit]** dialog box.

### 3 Edit

Edits the settings for the selected paper format.

To save the selected paper format with the new settings, click **[Overwrite]**. To add a paper format with the new settings, change the name in the **[Paper Size Name]** box, and then click **[Add]**.

Preset RD Roll formats cannot be edited.

### 4 Delete

Deletes the selected paper format. A deleted paper format cannot be restored.

### 5 Import

Reads the text file containing the paper format settings, and uses it to replace the contents of the **[Currently Registered Paper Sizes]** list.



When the list is imported, the entire contents of the **[Currently Registered Paper Sizes]** list will be replaced with the imported paper formats.

### 6 Export

Exports the paper formats in the **[Currently Registered Paper Sizes]** list to a file. The exported formats can then be distributed to other computers. For details, see *Distributing Paper Formats* on page 47.

### 7 Exit

Exits **[Paper Size Setup]**, and returns to the main window of the “**Printer Setting Tool**”.

## 8 Option

Click the ▼ button, and then select an operation.

Click [**Register Paper Size With Printer**] to register the settings for the selected paper format in printer.

Click [**Save in Command File**] to export the paper settings as a command file. (The file extension is “.bin”.)

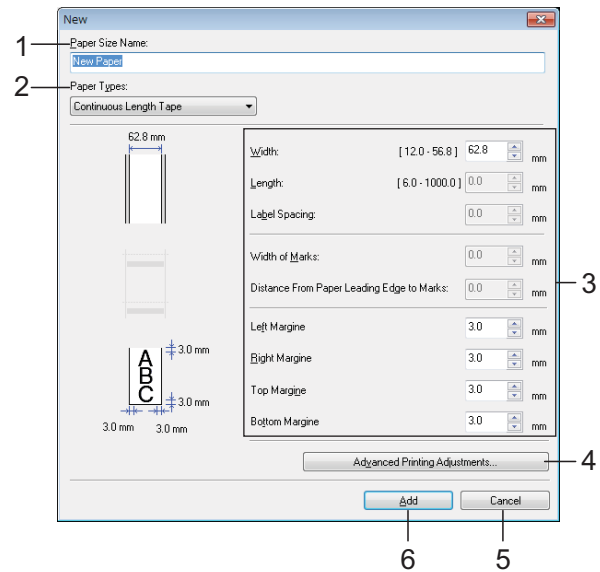
## NOTE

- When the paper format is registered with the printer and [**Exit**] is clicked, the [**Paper Size Setup**] dialog box appears with the added paper size in the [**Currently Registered Paper Sizes**] list. If the application is running, exit the application, restart it in order for the new paper format to appear in the list.
- If the following functions are being used, you can easily apply their settings to the printer.
  - Mass storage feature (page 48)
  - Bluetooth (Object Push Profile (OPP))
  - Wi-Fi® (File Transfer Profile (FTP))



These settings commands are only intended to be used for applying settings to a printer. These commands cannot be imported into [**Paper Size Setup**].

## New Dialog Box



### 1 Paper Size Name

Type in the name of the paper format to be added.

### 2 Paper Types

Select the paper type.

Available settings: [**Continuous Length Tape**], [**Media With Marks**], [**Die-cut Label**]

### 3 Detailed settings

Specify details for the paper format to be added.

### 4 Advanced Printing Adjustments

Click this button to display the [**Advanced Printing Adjustments**] dialog box and make advanced printing adjustments for each paper format. For details, see *Advanced Printing Adjustments Dialog Box* on page 46.

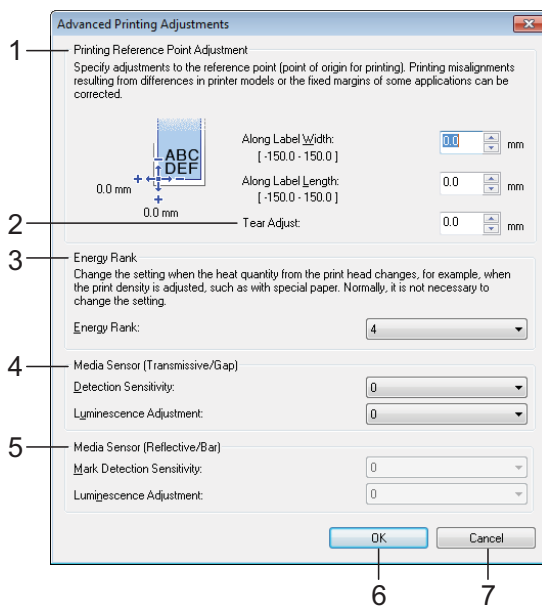
### 5 Cancel

Cancels the settings and closes the dialog box. The settings will remain unchanged.

### 6 Add

Click this button to add the paper format.

## Advanced Printing Adjustments Dialog Box



### 1 Printing Reference Point Adjustment

Adjust the position of the reference point (point of origin for printing). This corrects printing misalignments resulting from differences in printer models or from the fixed margins of some applications.

### 2 Tear Adjust

Adjust the cutting position when the paper is cut using the tear bar.

Available settings: -10.0 mm to 10.0 mm

### 3 Energy Rank

Select a setting when it is necessary to adjust the amount of heat (energy) from the print head, for example, with special paper.

## NOTE

There may be contrast variations in the print result due to the operating environment and media used. Change the setting if necessary.

### 4 Media Sensor (Transmissive/Gap)

Adjust the precision with which the transmissive/gap sensor detects the gaps (spacing) for die-cut labels and the amount of light emitted by the sensor.

Settings can be specified when [Paper Types] is set to [Die-cut Label].

## NOTE

Since the settings for [Media Sensor (Transmissive/Gap)] (page 37) in the [Device settings] dialog box will have an effect, specify appropriate values.

Example of the settings:

	Setting EX1	Setting EX2
Device settings	2	-2
Paper Size Setup	2	2
Actual effect	4	0

### 5 Media Sensor (Reflective/Bar)

Adjust the precision with which the reflective/black mark sensor detects black marks and the amount of light emitted by the sensor.

Settings can be specified when [Paper Types] is set to [Media With Marks].

## NOTE

Since the settings for [Media Sensor (Reflective/Bar)] (page 37) in the [Device settings] dialog box will have an effect, specify appropriate values.

Example of the settings:

	Setting EX1	Setting EX2
Device settings	2	-2
Paper Size Setup	2	2
Actual effect	4	0

### 6 OK

Saves the settings and returns to the [New] dialog box.

### 7 Cancel

Cancels the settings and closes the dialog box. The settings will remain unchanged.

## Distributing Paper Formats

The paper formats exported from the [Currently Registered Paper Sizes] list can be distributed to other computers.

### Distributing Only Paper Formats

If the printer driver has been installed on the recipient's computer, only the paper formats need to be distributed.

- 1 At the sender's computer, specify the paper format settings, and then click [Export]. (For details, see *Paper Size Setup* on page 44.)  
The following files are created.  
TD-2020:  
bst202ed.txt, bst202ed.ptd, pdt3335.bin  
TD-2120N:  
bst212ed.txt, bst212ed.ptd, pdt3535.bin  
TD-2130N:  
bst213ed.txt, bst213ed.ptd, pdt3635.bin
- 2 Save bst202ed.txt, bst212ed.txt or bst213ed.txt at any location on the recipient's computer.
- 3 At the recipient's computer, click [Import].  
The paper formats are replaced with the imported ones.

### Distributing Paper Formats Bundled With the Installer


If the printer driver has not been installed on the recipient's computer, the paper formats that can be distributed are bundled with the installer for the printer driver.

- 1 At the sender's computer, specify the paper format settings, and then click [Export]. (For details, see *Paper Size Setup* on page 44.)  
The following files are created.  
TD-2020:  
bst202ed.txt, bst202ed.ptd, pdt3335.bin  
TD-2120N:  
bst212ed.txt, bst212ed.ptd, pdt3535.bin  
TD-2130N:  
bst213ed.txt, bst213ed.ptd, pdt3635.bin
- 2 Insert the CD-ROM into the CD-ROM drive of the sender's computer.
- 3 Copy the TD-2000 folder from CD-ROM drive:\your language\Drivers to any location on the sender's computer.
- 4 Overwrite the contents of the Custom folder in TD-2000\Drivers (copied in step 3) with the three files created in step 1.
- 5 Save the TD-2000 folder in any location on the recipient's computer.
- 6 At the recipient's computer, double-click [Setup.exe].  
Complete the installation according to the instructions that appear on the screen.

## Mass Storage Functions

### Mass Storage Feature

---


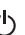
The mass storage feature allows you to execute commands by sending data from a computer or other device to the printer via USB. Files that have been copied to the printer's mass storage area are processed when you press the  (Print) button.

This feature is useful in the following situations.

- When you want templates (.blf format) and settings stored in a command file (.bin format) and distributed by the administrator to be applied to a printer without using a customised tool
- When you want to execute commands without installing the printer driver
- When you want to print and transmit data from a device that has an operating system (including non-Windows operating systems) with a USB host feature

### Using the Mass Storage Feature

---


- 1 Make sure that the printer is turned off.
- 2 While holding down the  (Print) button, press and hold the  (Power) button. The printer starts up in mass storage mode, and the POWER indicator lights in orange.

- 3 Connect the computer or device to the printer with a USB cable. The printer's mass storage area is displayed on the screen of the computer or device.

#### NOTE

---

If the mass storage area is not displayed automatically, refer to the instructions for the operating system of the computer or device for information about displaying the mass storage area.

- 4 Drag and drop the file that you want to copy to the mass storage area.
- 5 Press the  (Print) button. The command file is executed. While the file is being executed, the POWER indicator lights in orange and the STATUS indicator flashes in green.
- 6 After the file has been executed, the STATUS indicator turns off.
- 7 To turn off mass storage mode, turn the printer off. The printer will start up in its normal operating mode.



- When the printer is turned off, mass storage mode is deactivated and any files in the mass storage area are deleted.
- This feature supports .bin and .bif files. Do not use other file formats with this feature.
- Do not create folders in the mass storage area. If a folder is created, files in the folder will not be executed.
- The capacity of the mass storage area is 2.45 MB. Use of files larger than 2 MB cannot be guaranteed.
- If multiple files are copied, the order in which the files will be executed cannot be guaranteed.
- Wired or wireless LAN connections, Bluetooth connections or RJ25 to DB9M serial adapter connections are not available while the printer is running in mass storage mode.
- Do not access other files in the mass storage area while a copied file is being executed.

## Web Based (Web Browser) Management (TD-2120N/2130N only)

This printer is equipped with a web server that allows you to monitor the printer's status or change some of its settings using HTTP (Hypertext Transfer Protocol).

### NOTE

- Please make sure that JavaScript and cookies are always enabled in whichever browser you use.
- In order to use Web Based Management, your network must use TCP/IP, and the printer and computer must have a valid IP address. To see the IP address of the printer, print the printer setup information. For details, see *Printing the Printer Setup Information* on page 19.

- 1 Open your web browser.
- 2 Type "http://xxx.xxx.xxx.xxx/" into the web browser's address bar. ("xxx.xxx.xxx.xxx" is the IP address of this printer.)  
Example: http://192.168.1.2/
- 3 You can now change the print server settings.

### NOTE

If you have specified an optional network password, you must enter it when prompted in order to access web based management.

For details, see the Network User's Guide included on the CD-ROM.

# Software Development Kit

A software development kit (SDK) is available. Visit the Brother Developer Center (<http://www.brother.com/product/dev/index.htm>).

The b-PAC SDK and the SDKs for mobile devices (Windows Mobile, Android, iPhone and iPad) can be downloaded. (The SDKs that can be downloaded are subject to change without notice.)

# 5

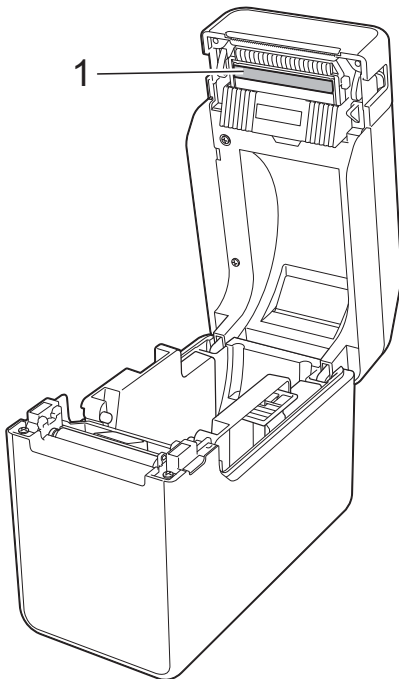
## Maintaining the Printer

Maintenance of the printer may be carried out as required. However, some environments require that maintenance must be done more frequently (for example, in dusty conditions). If dirt or dust is not removed, the printed labels may contain white streaks, or media may become jammed.

### Print Head Maintenance

Wipe the print head (1) with a cotton swab dipped in isopropyl alcohol.

Clean the print head once a day or every roll replacement, whichever comes first.



### **⚠ CAUTION**

Do not let your skin come into contact with the print head, to prevent electrostatic damage and corrosion.

---

Do not touch the print media surface.

---

Make sure your printer is in a wellventilated room. If condensation occurs, turn the printer off and wait until the condensation disappears.

---

Do not scratch or hit the print head surface.

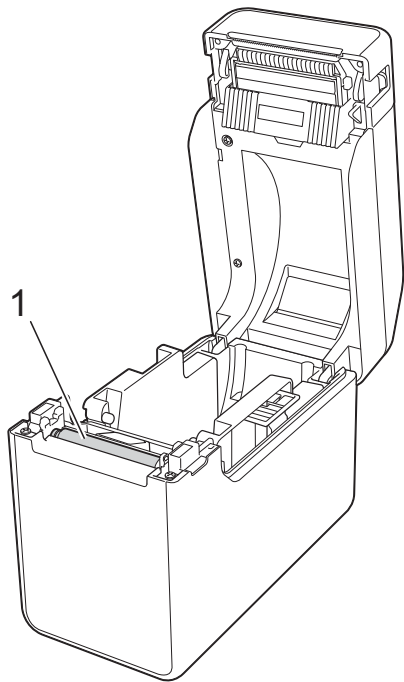
---

Do not blow dust away with your breath.



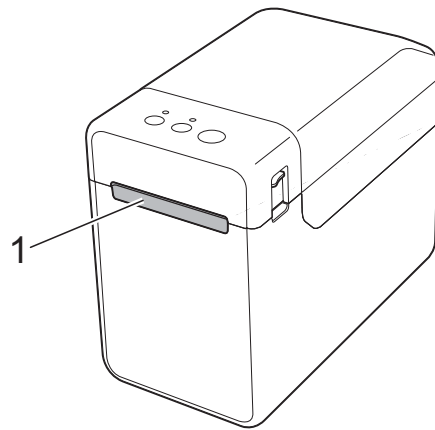
## Platen Roller Maintenance

Use a piece of cellophane tape to remove dirt from the platen roller (1).



## Media Exit Maintenance

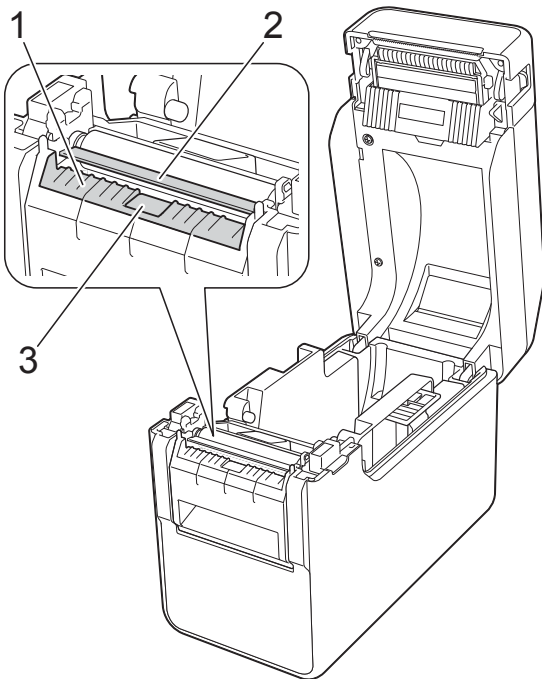
If adhesive accumulates at the media exit (1) and media becomes jammed, disconnect the printer from the AC power socket, and then clean the media exit with a cloth slightly moistened with isopropyl alcohol.



Do not use organic solvents such as benzene.

## Label Peeler (Optional) Maintenance (TD-2120N/2130N only)

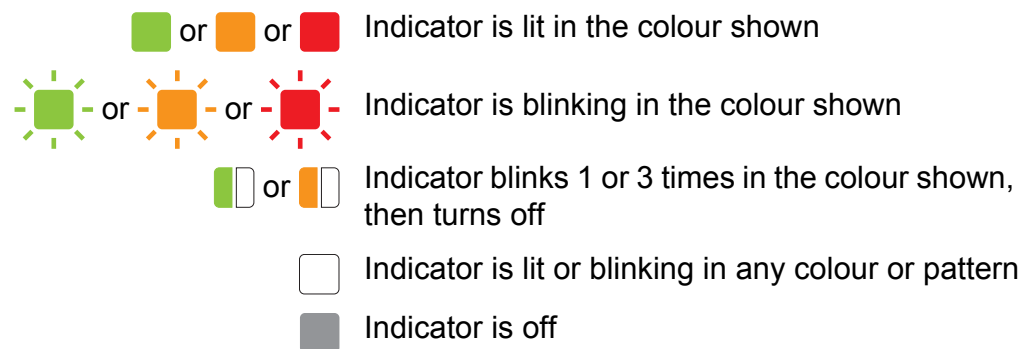
If adhesive accumulates at the media exit (1), peeler separator (2) or peeler sensor (3) and media becomes jammed, disconnect the printer from the AC power socket, and then clean each part with a cloth slightly moistened with isopropyl alcohol.





































## Indicators

The indicators light and blink to indicate the printer's status. The following symbols are used in this section to show the different indicator colours and patterns.

For details on error causes and solutions, see *Troubleshooting* on page 56.



POWER	STATUS	Description
		Printer turned on Initialising
		RD Roll compartment top cover open
		Receiving data Transferring/importing data
		Now cooling
 (3 times)	 (3 times)	Resetting the incrementing field
 (1 time)	 (1 time)	Initialising complete
	 (Once every 1.8 seconds)	Error 1 See <i>Troubleshooting</i> on page 56.
	 (Twice every 1.8 seconds)	Error 2 See <i>Troubleshooting</i> on page 56.
		System error
		In boot mode

POWER	STATUS	Description
 (3 times)	 (3 times)	Now resetting
		In mass storage mode
	 (1 time)	Processing file in mass storage mode
		<ul style="list-style-type: none"> <li>■ Wireless LAN on and connected* (when using the optional WLAN interface)</li> <li>■ Bluetooth on* (when using the optional Bluetooth interface)</li> <li>■ USB host port connected to a supported device</li> </ul>
	 (Once every 3 seconds)	Wireless LAN on but not connected* (when using the optional WLAN interface)
		Now setting WPS* (when using the optional WLAN interface)
	 (3 times)	Bluetooth switched* (when using the optional Bluetooth interface)

\* TD-2120N/2130N only

## Overview

If you have any problems with the printer, first make sure that you have performed the following tasks correctly.

- Is power being supplied to the printer by the AC adapter or rechargeable Li-ion battery (optional)?

See *Connecting to an AC Power Socket* on page 3 or *Using the Rechargeable Li-ion Battery/Battery Base (Optional:PA-BT-4000LI/PA-BB-001) (TD-2120N/2130N only)* on page 112.

- Is the appropriate printer driver selected and installed?

See *Installing the Printer Driver and Software* on page 4.

- Is the printer connected to a computer?

See *Connecting the Computer and Printer* on page 21.

If you still have problems, read the troubleshooting tips in this chapter for help.

### NOTE

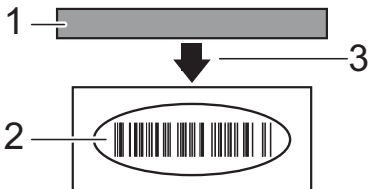
For details on the error messages that appear in the touch panel display (optional) (TD-2120N/2130N only), see *Error Messages for Touch Panel Display (Optional) (TD-2120N/2130N Only)* on page 64.

## Troubleshooting





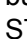

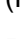


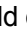
Problem	Solution
The POWER indicator is not lit.	<ul style="list-style-type: none"> <li>■ Is the AC power cord inserted correctly? Check that the AC power cord is inserted correctly. If it is, try plugging it into another AC power socket.</li> <li>■ Be sure to use a genuine Brother AC adapter.</li> <li>■ Is the rechargeable Li-ion battery (optional) installed correctly? If the rechargeable Li-ion battery (optional) is being used, check that it is installed correctly.</li> <li>■ If the POWER indicator still does not light up, contact Brother customer service.</li> </ul>
The indicators show that the printer is in boot mode.	<ul style="list-style-type: none"> <li>■ The AC adapter was unplugged while the firmware was being updated, and the printer started up in boot mode the next time it was started. This issue must be resolved. Contact your reseller or Brother customer service for assistance.</li> </ul>

Problem	Solution
The indicators show that the printer is cooling.	<ul style="list-style-type: none"> <li>■ The print head or motor is too hot.</li> </ul> <p>Print head:</p> <p>If the print head becomes too hot, it may produce imaging on the paper in areas not intended to be printed. This condition is normal when printing a large number of documents with a high print density. The printer will stop, then resume printing after the print head has cooled down. To avoid or delay the onset of this condition, print using a lighter density setting, reduce the amount of black areas being printed (for example, remove background shading and colours in graphs and presentation documents). Also, make sure that the printer has adequate ventilation and is not located in an enclosed space.</p> <p>Motor:</p> <p>If the printer is used continuously, the motor will become too hot. In this case, the printer will stop and resume printing after the motor has cooled down.</p> <p><b>NOTE</b></p> <hr/> <p>This condition may occur more often when the printer is used at a high altitude (above 3,048 m (10,000 feet)) due to the lower air density available to cool the printer.</p> <hr/>
The indicators show that a system error has occurred.	If this condition occurs, turn off the printer, and then contact your reseller or Brother customer service.
The printer does not print.	<ul style="list-style-type: none"> <li>■ Is a cable loose? Check that the cables are connected securely.</li> <li>■ Is the STATUS indicator blinking? An error occurred. Check the error details in <i>Indicators</i> on page 54, and then see <i>If the STATUS indicator was blinking in red</i> on page 62.</li> </ul>

Problem	Solution
<p>Media is not fed correctly.</p>	<ul style="list-style-type: none"> <li data-bbox="703 302 1461 584"> <p>■ Is the print head or platen roller dirty?</p> <p>Although the print head generally remains clean under normal use, dust or dirt from the platen roller may become stuck to the print head.</p> <p>If this occurs, clean the print head or platen roller.</p> <p>For details, see <i>Print Head Maintenance</i> or <i>Platen Roller Maintenance</i> on page 52.</p> </li> <li data-bbox="703 600 1461 719"> <p>■ Are the sensors in the correct position?</p> <p>Check that the sensors are correctly positioned. For details, see <i>Checking the Sensor Position</i> on page 17.</p> </li> <li data-bbox="703 734 1461 963"> <p>■ Has the paper size information been registered with the printer?</p> <p>If the paper size information has not been registered with the printer, the media will not be fed correctly.</p> <p>For details, see <i>Registering Paper Size Information With the Printer</i> on page 9.</p> </li> </ul>
<p>A data transmission error appears on your computer.</p>	<ul style="list-style-type: none"> <li data-bbox="703 981 1461 1061"> <p>■ Is the correct port selected?</p> <p>Check that the correct port is selected.</p> </li> <li data-bbox="703 1077 1461 1227"> <p>■ Is the printer in cooling mode (the POWER indicator is blinking in orange)?</p> <p>Wait until the indicator stops blinking, and then try printing again.</p> </li> <li data-bbox="703 1243 1461 1456"> <p>■ Is someone printing via the network?</p> <p>If you try to print while other users are printing large amounts of data, the printer will be unable to accept your print job until ongoing printing is finished. In such a situation, execute the print job again after the other jobs are completed.</p> </li> </ul>

Problem	Solution
<p>Media is jammed.</p> <p>Media is not ejected correctly after printing.</p>	<ul style="list-style-type: none"> <li>■ Is there dust or dirt on the print head or platen roller preventing it from turning freely? For details, see <i>Print Head Maintenance</i> or <i>Platen Roller Maintenance</i> on page 52.</li> <li>■ Check that the media exit path is not blocked.</li> <li>■ Is there adhesive on the media exit, or has a media misfeed occurred? For details, see <i>Media Exit Maintenance</i> on page 52.</li> <li>■ Remove the RD Roll, and then reinstall it. For details, see <i>Inserting the RD Roll</i> on page 15.</li> <li>■ Check that the RD Roll compartment top cover is firmly closed.</li> <li>■ If the label peeler (optional) is being used, check that printer driver settings for the Peeler function have been specified correctly. For details, see <i>Printer Driver Settings</i> on page 110.</li> </ul>
<p>The print quality is poor.</p> <p>Printed labels contain white streaks.</p>	<ul style="list-style-type: none"> <li>■ Adjust the printing density. The print density can be specified in the printer driver's dialog box or the "<b>Printer Setting Tool</b>". (See <i>Print Density</i> on page 36)</li> <li>■ Is there dust or dirt on the print head or platen roller preventing it from turning freely? Clean the print head or platen roller. For details, see <i>Print Head Maintenance</i> or <i>Platen Roller Maintenance</i> on page 52.</li> </ul>
<p>Printed barcodes cannot be read.</p>	<ul style="list-style-type: none"> <li>■ Print labels so that barcodes are aligned with the print head as shown below.</li> </ul> <div style="text-align: center; margin: 10px 0;">  </div> <ul style="list-style-type: none"> <li><b>1 Print head</b></li> <li><b>2 Barcode</b></li> <li><b>3 Printing orientation</b></li> </ul> <ul style="list-style-type: none"> <li>■ Try using another scanner.</li> <li>■ We recommend printing the barcodes with <b>[Give priority to quality]</b> selected from the <b>[Quality]</b> options.</li> </ul>



Problem	Solution
<p>Printed barcodes cannot be read. (continued)</p>	<p>Windows XP: To display the <b>[Quality]</b> options, open the printer properties by clicking <b>[Start]</b> - <b>[Control Panel]</b> - <b>[Printers and Other Hardware]</b> - <b>[Printers and Faxes]</b>, right-clicking the printer whose settings are to be changed, then clicking <b>[Printing Preferences]</b>.</p> <p>Windows Vista: To display the <b>[Quality]</b> options, open the printer properties by clicking  - <b>[Control Panel]</b> - <b>[Hardware and Sound]</b> - <b>[Printers]</b>, right-clicking the printer whose settings are to be changed, then clicking <b>[Printing Preferences]</b>.</p> <p>Windows 7: To display the <b>[Quality]</b> options, open the printer properties by clicking  - <b>[Devices and Printers]</b>, right-clicking the printer whose settings are to be changed, then clicking <b>[Printing Preferences]</b>.</p> <p>Windows 8: To display the <b>[Quality]</b> options, open the printer properties by clicking <b>[Control Panel]</b> in the <b>[Apps]</b> screen - <b>[Hardware and Sound]</b> - <b>[Devices and Printers]</b>, right-clicking the printer whose settings are to be changed, then clicking <b>[Printing Preferences]</b>.</p>
<p>I want to reset the printer. I want to delete the data transferred from the computer.</p>	<p>To reset the printer, perform the following procedure.</p> <ol style="list-style-type: none"> <li>1 Press and hold the  (Power) button to turn the printer off.</li> <li>2 Press and hold the  (Feed) button and the  (Power) button until the POWER indicator lights in orange and the STATUS indicator blinks in green.</li> <li>3 While holding down the  (Power) button, press the  (Feed) button 6 times.</li> <li>4 Release the  (Power) button.</li> </ol> <p>All of the transferred data from the computer will be deleted, and the printer will be reset to its factory settings.</p>
<p>I want to cancel the current print job.</p>	<p>Make sure that this printer is turned on, and then press the  (Power) button.</p>
<p>I want to reset the incrementing field.</p>	<p>Hold down the  (Print) button for at least 5 seconds, until the POWER and STATUS indicators blink 3 times in orange.</p>
<p>The media cannot be fed to the beginning of a label. An error occurred.</p>	<ul style="list-style-type: none"> <li>■ If a feed error occurred, use the Custom Label Tool to apply the correct paper settings to the printer.</li> <li>■ Are the sensors in the correct position?</li> </ul> <p>Check that the sensors are correctly positioned. For details, see <i>Checking the Sensor Position</i> on page 17.</p>

Problem	Solution
Even though data is being sent to the printer, the POWER indicator is not blinking in green.	<p>Make sure that the USB cable is connected firmly and correctly. Try using another USB cable.</p> <p>If a connection is being made using the WLAN interface (optional) or Bluetooth interface (optional), check that the slide switch for each unit has been turned on.</p>
The labels are not being peeled off correctly (when using the optional label peeler).	<ul style="list-style-type: none"> <li>■ Make sure that the paper is correctly fed through the label peeler.</li> <li>■ Has the peeler option setting been specified in the printer driver and with the "<b>Printer Setting Tool</b>"?</li> </ul> <p>For details, see <i>Printer Driver Settings</i> on page 110 or <i>Media Sensor (Peeler) (TD-2120N/2130N only)</i> on page 37.</p>
The media is not ejected correctly (when using the optional label peeler).	<p>Has the sensor of the label peeler been exposed to direct sunlight?</p> <p>If the sensor of the label peeler has been exposed to direct sunlight, loaded media may not be detected correctly. Use the printer in a location not exposed to direct sunlight.</p>
The printer does not operate according to the operations performed with the touch panel display (when using the optional touch panel display).	<ul style="list-style-type: none"> <li>■ Does the touch panel name (A or B) printed in the upper-right corner of the touch panel match the specified touch panel name, which appears in the lower-right corner of the main screen on the LCD?</li> </ul> <p>If they do not match, select [Set Panel] from the touch panel display, and then select the correct setting. For details, see <i>Specifying Settings From the Touch Panel Display</i> on page 75.</p> <ul style="list-style-type: none"> <li>■ Has the type of data assigned to one-touch keys been correctly specified?</li> </ul> <p>If the correct setting has not be selected, select [Keys Function] from the touch panel display, and then correctly select [Template] or [Database]. For details, see <i>Selecting the Data Assigned to Keys on the One-Touch Panel</i> on page 85.</p>
Although no key in the touch panel display was pressed, data was unintentionally entered (when using the optional touch panel display).	<ul style="list-style-type: none"> <li>■ Since foreign material, such as dust, caught between the touch panel, protective sheet and touch panel holder may cause a malfunction. Make sure that no foreign material is attached.</li> <li>■ Has the touch panel been folded? When a folded touch panel is used, the fold may press on the touch panel holder. Therefore, do not use a touch panel that has been folded.</li> </ul>
The data that was entered is different than the data for the touch panel key that was pressed (when using the optional touch panel display).	<ul style="list-style-type: none"> <li>■ Since foreign material, such as dust, caught between the touch panel, protective sheet and touch panel holder may cause a malfunction. Make sure that no foreign material is attached.</li> <li>■ Has the touch panel been folded? When a folded touch panel is used, the fold may press on the touch panel holder. Therefore, do not use a touch panel that has been folded.</li> </ul>

### If the STATUS indicator was blinking in red

If the STATUS indicator was blinking in red, perform the following procedures to clear the error.

Press the ⏻ (Power) button once.

If the error is still not cleared, turn the printer off, then on again.

If the error appears, even after performing the procedures described above, contact Brother customer service.

Problem	Solution
The STATUS indicator is blinking.	<ul style="list-style-type: none"> <li>■ An error occurred. Check the error details in <i>Indicators</i> on page 54, and then see below.</li> </ul>
The indicators show that error 1 has occurred.	<ul style="list-style-type: none"> <li>■ Is the correct RD Roll installed? Check that the correct media, for example, type (die-cut label or continuous length tape) and die-cut label size, is installed.</li> <li>■ Is the RD Roll installed correctly? If not, remove the RD Roll, and then reinstall it. For details, see <i>Inserting the RD Roll</i> on page 15. If the label peeler (optional) is being used, see <i>Inserting the RD Roll</i> on page 107.</li> <li>■ Are the media guides not touching the side of the RD Roll? Move the media guides against the side of the RD Roll. For details, see <i>Inserting the RD Roll</i> on page 15.</li> <li>■ Is there enough of the roll remaining? If not, install a new RD Roll.</li> <li>■ Is the RD Roll compartment top cover open? Check that the RD Roll compartment top cover is closed.</li> <li>■ After the specified length of time (120 seconds) has passed, either the access point could not be found or two or more access points were found. Otherwise, the received packet is incorrect (when using the optional WLAN interface).</li> </ul>

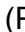
Problem	Solution
<p>The indicators show that error 1 has occurred. (continued)</p>	<ul style="list-style-type: none"> <li>■ If the error still occurs, check for the following: <ul style="list-style-type: none"> <li>Tape exceeding 1 m or incompatible files cannot be printed.</li> <li>When sending a template as a BLF file, an error is indicated if the model name in the file is different.</li> <li>When printing a template, an error is indicated if the specified template does not exist.</li> <li>An error is indicated if the search of a template with a linked database fails.</li> <li>An error is indicated if data is transferred, causing the capacity of the user storage area to be exceeded.</li> </ul> </li> </ul> <p>In these cases, turn off the printer, and then turn it on again.</p> <p>If the error still occurs, contact Brother customer service.</p>
<p>The indicators show that error 2 has occurred.</p>	<ul style="list-style-type: none"> <li>■ Has a device been connected that is not supported by the USB host port? <ul style="list-style-type: none"> <li>An overcurrent was detected by the USB host port, or the connection of an unsupported device was detected. Turn off the printer, and then check the connected device.</li> <li>If a USB hub is connected, the printer will automatically turn off after a certain length of time has passed.</li> </ul> </li> <li>■ Is the printer in mass storage mode? <ul style="list-style-type: none"> <li>An error is indicated if the file system becomes corrupted or a file is copied while a mass storage file is being processed. Turn off the printer.</li> </ul> </li> <li>■ Does the rechargeable battery have a low charge? (when using the optional rechargeable Li-ion battery). <ul style="list-style-type: none"> <li>Use the AC adapter.</li> </ul> </li> <li>■ Has the rechargeable battery failed to recharge? (when using the optional rechargeable Li-ion battery). <ul style="list-style-type: none"> <li>If the battery has not been recharged after a certain length of time, recharging has failed. Use the AC adapter.</li> </ul> </li> <li>■ Has the wireless LAN or Bluetooth connection been interrupted? (when using the optional WLAN or Bluetooth interfaces). <ul style="list-style-type: none"> <li>The wireless LAN or Bluetooth connection established while the printer is on was interrupted. Turn off the printer, check that the slide switch for the WLAN interface or Bluetooth interface has been turned on, and then turn the printer on again.</li> </ul> </li> </ul>

## Error Messages for Touch Panel Display (Optional) (TD-2120N/2130N Only)

If an error message appears on the LCD of the touch panel display (optional) (TD-2120N/2130N only), check for a solution in the following table.

To clear an error message that appeared, perform the following procedures.

If the STATUS indicator on the printer is blinking in red:

Press the  (Power) button once. If the error is still not cleared, turn the printer off, then on again.

If the STATUS indicator on the printer is not blinking in red:

Press any key in the touch panel once. If the error is still not cleared, turn the printer off, then on again.

If the error message is still displayed, even after performing the procedures described above, contact Brother customer service.

Error message	Solution
Check Media!	<ul style="list-style-type: none"> <li>■ Is the correct RD Roll installed? Check that the correct media, for example, type (die-cut label or continuous length tape) and die-cut label size, is installed.</li> <li>■ Is the RD Roll installed correctly? If not, remove the RD Roll, and then reinstall it. For details, see <i>Inserting the RD Roll</i> on page 15. If the label peeler (optional) is being used, see <i>Inserting the RD Roll</i> on page 107.</li> <li>■ Are the media guides not touching the side of the RD Roll? Move the media guides against the side of the RD Roll. For details, see <i>Inserting the RD Roll</i> on page 15.</li> <li>■ Is enough of the roll remaining? If not, install a new RD Roll.</li> </ul>
Close Cover!	<p>Is the RD Roll compartment top cover open? Check that the RD Roll compartment top cover is closed.</p>
Communication Error!	<ul style="list-style-type: none"> <li>■ Transfer of the data failed. When sending a template as a BLF file, an error is indicated if the model name in the file is different.</li> <li>■ Has the wireless LAN or Bluetooth connection been interrupted? (when using the optional WLAN or Bluetooth interfaces).  The wireless LAN or Bluetooth connection established while the printer is on was interrupted. Turn off the printer, check that the slide switch for the WLAN interface or Bluetooth interface has been turned on, and then turn the printer on again.</li> </ul>
Database Record Problem!	<ul style="list-style-type: none"> <li>■ There is no database with the specified number. Specify a correct number.</li> <li>■ An error is indicated if the search of a template with a linked database fails.</li> </ul>

Error message	Solution
No Template Selected!	<ul style="list-style-type: none"> <li>■ There is no template with the specified number. Specify a correct number.</li> <li>■ When printing a template, an error is indicated if the specified template does not exist.</li> </ul>
Setting Wireless LAN Unsuccessful! Try again	<ul style="list-style-type: none"> <li>■ The access point could not be found.</li> <li>■ An access point for establishing a connection could not be specified.</li> </ul>
Memory Full!	<ul style="list-style-type: none"> <li>■ Tape exceeding 1 m or incompatible files cannot be printed.</li> <li>■ An error is indicated if data is transferred, causing the capacity of the user storage area to be exceeded.</li> </ul>
Wrong Password!	<ul style="list-style-type: none"> <li>■ Is the administrator password correct? Type in the correct password.</li> <li>■ If you do not remember the password, use <b>[Device settings]</b> of the “<b>Printer Setting Tool</b>” to reset the password. For details, see <i>Admin Password</i> on page 39.</li> </ul>
Incorrect Value!	<p>Has a value outside of the allowable range been entered? Type in a value within the allowable range.</p>
Noncompliant USB device. Remove Device!	<p>Has a device been connected that is not supported by the USB host port? An overcurrent was detected by the USB host port, or connection of an unsupported device was detected. Turn off the printer, and then check the connected device.</p>
Charging Error! Replace Battery	<p>Has the rechargeable battery failed to recharge? (when using the optional rechargeable Li-ion battery). If recharging is not completed after a certain length of time, recharging has failed. Use the AC adapter.</p>
Mass Storage Operation error!	<p>Is the printer in mass storage mode? An error is indicated if the file system becomes corrupted or a file is copied while a mass storage file is being processed. Turn off the printer.</p>
Recharge Battery!	<p>Does the rechargeable battery have a low charge? (when using the optional rechargeable Li-ion battery). Use the AC adapter.</p>
System Error! 01	If the error message is displayed, contact Brother customer service.
System Error! 02	

## Product Specifications

Model Name	TD-2020	TD-2120N	TD-2130N
<b>■ Printing</b>			
Printing Technology	Direct Thermal		
Printing Resolution	203 dpi	203 dpi	300 dpi
Print Speed (Depends on the media used.)	Maximum 6 ips (152.4 mm/sec) (Under Brother standard environment)		
Maximum Print Width	Maximum 56 mm		
Maximum Print Length	Maximum 1 m		
Minimum Print Length	6 mm		
Buttons	⏻ (Power) button, ⏴ (Feed) button, 🖨 (Print) button		
Printer Memory	6 MB or maximum 99 templates		
Printer Control Commands	P-touch Template2.0, Raster, ESC/P		
AC Power Supply	AC adapter (100 - 240 V 50/60 Hz)		
Release Mode	Standard: Continuous, tear off  Optional: Not supported	Standard: Continuous, tear off  Optional: Peeled	
<b>■ Size</b>			
Weight	Approximately 1.32 kg	Approximately 1.34 kg	
Dimensions	Approximately 110 mm (W) × 215 mm (D) × 172 mm (H)		
<b>■ Interface</b>			
USB	USB Ver.2.0 (Full Speed) (mini-B, Peripheral)		
Serial	RS232C (Original serial cable)		
Wired LAN	Not supported	10/100BASE-TX	
USB Host Port	Not supported	Supports only PA-WI-001 (optional) or barcode readers	
Bluetooth (The Bluetooth interface (optional) is required.)	Not supported	Bluetooth Ver.2.0+EDR (Class 2)  Bluetooth-compatible profiles SPP (Serial Port Profile) OPP (Object Push Profile) BIP (Basic Imaging Profile)	
WLAN (The WLAN interface (optional) is required.)	Not supported	Wireless LAN IEEE802.11b/g/n (Infrastructure Mode/Adhoc mode)	

Not all computers, mobile devices, and operating systems, may support Ad-hoc mode.

Model Name	TD-2020	TD-2120N	TD-2130N
<b>■ Operating Environment</b>			
Operating System	Microsoft Windows XP /Windows Vista/Windows 7/Windows 8	Microsoft Windows XP/Windows Vista/Windows 7/Windows 8, Microsoft Windows Server 2003/2008/2008 R2/2012	
Hard-Disk Free Space	70 MB or more		
Memory	Windows XP: 128 MB or more Windows Server 2003: 256 MB or more Windows Vista/Windows Server 2008/2008 R2/2012: 512 MB or more Windows 7/Windows 8: 1 GB (32-bit) or 2 GB (64-bit) or more		
Display	SVGA/High Colour or more		
Operating Temperature	Operate: 5 °C to 40 °C	Operate: 5 °C to 40 °C Charge: 5 °C to 40 °C	
Operating Humidity	20 to 80 % (No condensation, Maximum wet bulb temperature: 27 °C)		
Storage Temperature	-20 °C to 60 °C		
Storage Humidity	20 to 80 % (No condensation, Maximum wet bulb temperature: 45 °C)		

Do not leave the printer in a location exposed to direct sunlight, such as inside a car, where the temperature is over 60 °C.



In order to achieve optimum print results, we recommend using Brother thermal paper (RD Rolls).

Model Name	TD-2020	TD-2120N	TD-2130N
<b>■ Media Specifications</b>			
Media Sensors	Gap (Transmissive), Black Mark (Reflective)		
Media type	Receipt Die cut label Tag Wristband		
Media Width	19 mm to 63 mm		
Thickness (The media material may affect print quality.)	0.058 mm to 0.279 mm		
Diameter (Max)	127 mm		
Core Diameter	25.4mm		
Gap Between Labels (Min)	3 mm		
<b>■ Software</b>			
Supported Printer Drivers	Windows XP Windows Vista Windows 7 Windows 8	Windows XP Windows Vista Windows 7 Windows 8 Windows Server 2003/2008/2008 R2/2012	

# 9

## Using the RJ25 to DB9M Serial Adapter (Optional:PA-SCA-001)

### Connecting the Computer and Printer With the RJ25 to DB9M Serial Adapter



Be sure to use the cable designed for your Brother optional product.

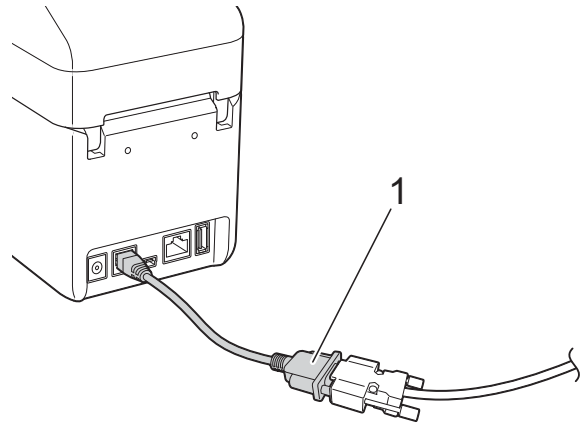
- 1 Before connecting the serial cable, make sure that the printer and the computer are turned off.
- 2 Connect the RJ25 side of the adapter to the printer.
- 3 Connect the printer end of the serial cable to the DB9M side of this adapter.
- 4 Connect the other end of the serial cable to the serial port on the computer.

#### NOTE

- The default communication settings are as follows:  
Baud rate: 9600bps  
Parity: None  
Bit length: 8 bits  
Flow control: Hardware
- To change the communication settings, use [**P-touch Template settings**] in the “**Printer Setting Tool**” - [**Communication settings**]. For details, see the P-touch Template Command Reference. The latest versions can be downloaded from the support website. [support.brother.com](http://support.brother.com)  
Select the product, and then select [**Manuals**].

### Product Specifications

Converts to a D-sub 9-pin male connector.



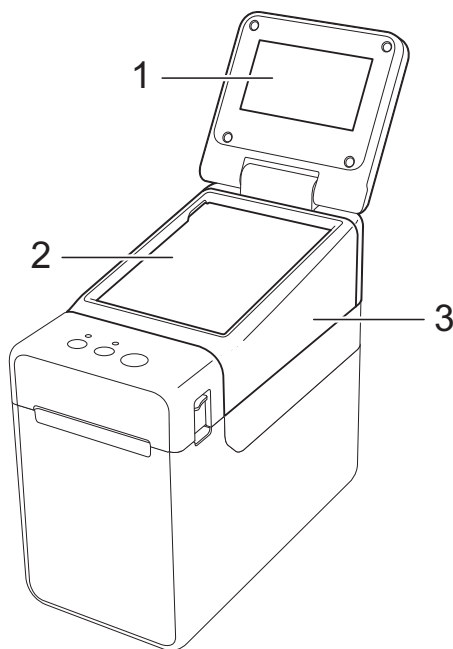
1 RJ25 to DB9M serial adapter

# Using the Touch Panel Display (Optional:PA-TDU-001) (TD-2120N/2130N only)

The (optional) touch panel display (TDU) is a touch panel operating unit designed to attach to the printer. Since touch panel keys can be pressed to perform operations, labels can be printed and various settings can be specified without a computer connection.

For details on attaching the touch panel display, refer to its Quick Setup Guide.

## General Description



### 1 LCD

#### NOTE

A protective clear plastic sticker is placed over the LCD during manufacturing and shipping. This sticker should be removed prior to use.

### 2 Touch panel

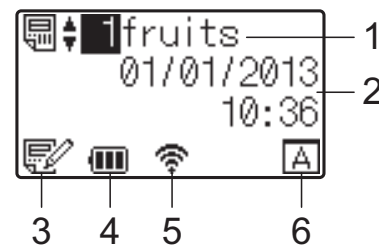
### 3 TDU Panel cover

## LCD

Lift up the LCD, and then adjust it to an angle so that the screens are visible. If the screen is dark and hard to read, the backlight can be turned on. For details, see *Specifying Settings From the Touch Panel Display* on page 75.

## Screen

When the printer is turned on, the main screen appears.




### 1 Template name and number

Displays the number and name of the selected template.

### 2 Time and date

Displays the current time and date. For details on setting the clock, see *Setting the Time and Date* on page 77.


### 3 Template editing indicator


When a template is being edited using the touch panel display,  appears.


#### 4 Battery level display


When the rechargeable Li-ion battery (optional) is being used, the remaining charge is indicated.

If you continue to use the printer while the battery has a low charge, the message "Recharge Battery!" appears, and the printer may run out of power, even while printing.

 : Full charge

 : Half



 : Low charge

 : Charging

#### 5 Indicators for available wireless interfaces

If wireless connection settings have been specified, the marks for the available interfaces appear.

 : Bluetooth

 : Wireless LAN  
(The connection status is shown at four different levels, and  appears when there is no connection.)

#### 6 Touch panel setting

Displays whether the touch panel display has been set for touch panel A or B.

 : Basic control panel (A)

 : One-touch panel (B)

## Touch Panel

There are two touch panels: the basic control panel (A) and the one-touch panel (B). Either can be selected for use.

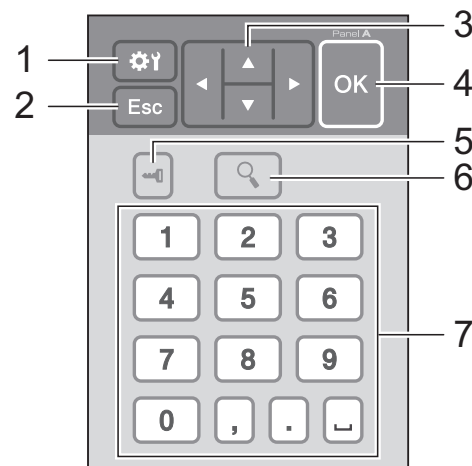
Press a key on the touch panel to perform an operation.

If a label layout has been assigned in advance to a key on the one-touch panel, a label can easily be printed simply by pressing the key of the corresponding label.

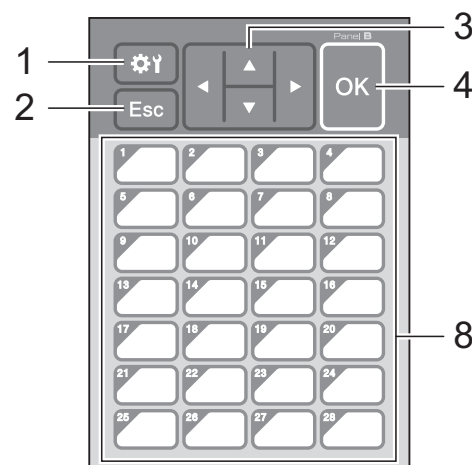


Do not press on the touch panel with a sharp object. Otherwise, the touch panel may be damaged.

#### Basic control panel (A)



#### One-touch panel (B)



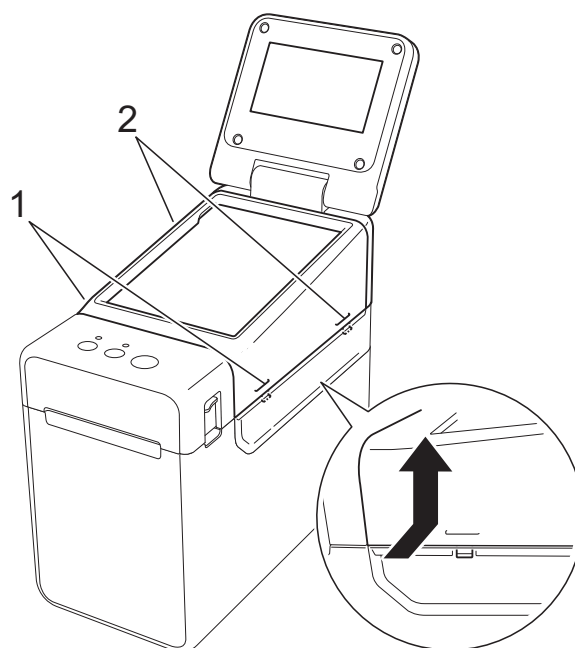
- 1 **⚙️ (settings key)**  
Specify settings for the various parameters.
- 2 **Esc (escape key)**  
Returns to the previous operation. Holding down this key for at least 1 second returns to the main screen.
- 3 **▲ / ▼ / ◀ / ▶**  
Changes what is displayed, or increases/decreases values. Holding down this key quickly changes what is displayed or increases/decreases values by 10.
- 4 **OK key**  
Applies the operation or setting.
- 5 **🔑 (admin key)**  
Specify basic settings for using the touch panel display.
- 6 **🔍 (search key)**  
Displays the contents of the selected template. The contents of the database linked to the template can also be checked.
- 7 **Numeric keys**  
Type in the template number or database record number. These can also be used to edit values in the label layout.
- 8 **One-touch keys**  
Select the label to be printed.

## NOTE

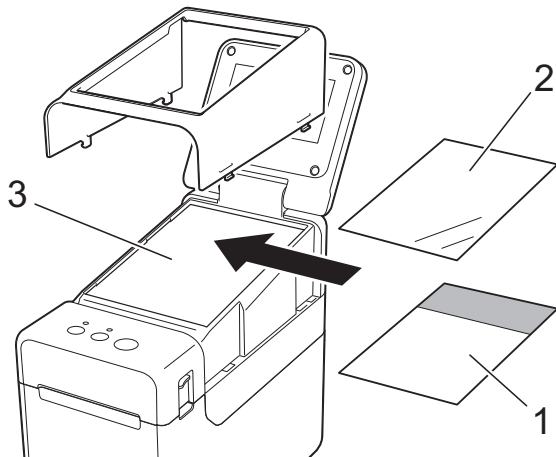
The touch panel name (A or B) is printed in the upper-right corner of the touch panel. Make sure that the specified touch panel name, which appears in the main screen on the LCD, matches the name of the touch panel that is being used.

## Information About Replacing the Touch Panel

- 1 The TDU panel cover is attached with four tabs. While pressing the two tabs (1) at the front, slide the cover up and unhook the tabs. Then, press the two tabs (2) at the back to unhook the tabs in the same way.



- 2 Remove the TDU panel cover, and place the touch panel (1) to be used, then the clear protective sheet (2) on the touch panel holder (3).



	Since foreign material, such as dust, caught between the touch panel, protective sheet and touch panel holder may cause a malfunction. Make sure that no foreign material is attached.
--	--

- 3 Install the TDU panel cover in its original position.

	When the touch panel is replaced, the setting for the touch panel display must be changed. For details, see <i>Selecting the Touch Panel</i> on page 84.
--	--

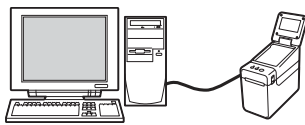
# Printing With the Touch Panel Display

Follow the procedure below to print by using the touch panel display.

## 1. Preparation

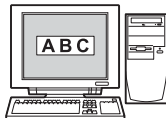
Connect the printer to the computer, and then install the printer driver and software. (page 4)

Install media in the printer. (page 15)



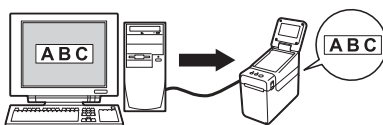
## 2. Create a label layout.

From the computer, use P-touch Editor, which is included on the CD-ROM, to create a label layout. (page 79)



## 3. Transfer the label layout to the printer.

Use P-touch Transfer Manager to transfer the created label layout from the computer to the printer. (page 83)



## 4. Print the label.

Use the touch panel of the touch panel display to print the label. (page 86)



## Touch Panel Display Settings

The settings for the touch panel display can be specified either by using the touch panel, or by using a tool on a computer connected to the printer. For details on connecting a computer and specifying settings, see *Device Settings* on page 34.

### Specifying Settings From the Touch Panel Display

Press [⚙️] (settings key) or [Admin] (admin key) to display the menu screen. Press [▲] or [▼] to select a parameter, and then press [OK].




- 1 The scroll bar indicates the first parameter with the up arrow, and the last parameter with the down arrow. If the last parameter is selected, pressing [▼] scrolls to the first parameter. If the first parameter is selected, pressing [▲] scrolls to the last parameter.
- 2 The currently selected parameter is highlighted.


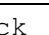

With the touch panel display attached to the printer, the following settings can be specified.


Key	Parameter	Settings	Description
⚙️ (settings key)	Print Density	-5/-4/-3/-2/-1/0/+1/+2/ +3/+4/+5	Adjust the printer's printing density.
	Confirm Print	On/Off	Select whether a message appears before printing so that the number of copies can be confirmed.
	Text Direction	Normal/Inverted 180°	Select the printing orientation.
	Exit Position	Tear/Peeler	Select the media exit location.
	Backlight	On/Off	Select whether the LCD backlight is turned on.
	LCD Contrast	+2/+1/0/-1/-2	Select the LCD contrast.
	Beeper	On/Off	Select whether the printer beeps when a touch panel key is pressed.
	Set Panel	A/B	Select which touch panel will be used.



Using the Touch Panel Display (Optional:PA-TDU-001) (TD-2120N/2130N only)

Key	Parameter		Settings	Description	
 (admin key) <sup>1</sup>	Setup	Keys Function	Template/ Database	Select the type of data assigned to keys on the one-touch panel. To assign templates, select [Template]. To assign databases linked to a single template, select [Database].	
		Serialize Mode	Cont From Last/From Starting#	Select whether or not to serialize from the last number printed.	
		Default Print#	1-999	Set the default number of copies that appears when printing.	
		Set Clock	<b>Default:</b> 2013/01/01 24h 00:00	Set the time and date for the touch panel display.	
		Time&Date Form	Date Format: 1/31/2099, 01/31/2099, 31/1/2099, 31/01/2099, 31.1.2099, 31.01.2099, 31-1-2099, 31-01-2099, 2099/1/31, 2099/01/31, 2099-1-31, 2099-01-31		Select the date format for the clock.
			Time Format: 01:59 (24), 1:59 (24), 1:59AM, 01:59AM		Select the time format for the clock.
		<input type="checkbox"/> Language	Dansk/Deutsch/English/Español/Français/Italiano/Nederlands/Norsk/Português/Suomi/Svenska/日本語		Select the language of the touch panel display.
		Unit	inch/mm		Select the measurement units for displayed settings.
		Print# <sup>2</sup>	From Starting#/Cont From Last		Select whether or not the number of copies set from the TDU, remains set after the copies are printed.  This TDU setting is applied until the printer is turned off.
		Bar Code <sup>2</sup>	With Margins/No Margins		Select whether or not margins are added around barcodes.
DB search <sup>2</sup>	By Line#/By Data		When using a template with a linked database, select whether to search for database records by their line number or by their data.		

Key	Parameter		Settings	Description	
 (admin key) <sup>1</sup> (Continued)	Setup (Continued)	Set Temp Time <sup>2</sup>	Default Time/Cont From Last	When directly entering the date/time to be printed, select whether or not the entered date/time remains set after the copies are printed.  This setting is applied until the printer is turned off.	
		Security	Disable Edit	On/Off	Select whether or not label layouts can be edited.
		Lock Settings		On/Off	Allow or disable setting changes for  (settings key).
		Admin Password		On/Off	Set password access for  (admin key).
			Enter Password: **** (4 digits)		Type in the 4-digit password.
	Configuration		Printer/ProgVer/ FontVer/Memory	Displays the model name, firmware version, font version and amount of built-in memory.	

<sup>1</sup>  (admin key) can be accessed only when touch panel A (basic control panel) is set.


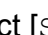
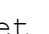
<sup>2</sup> This function is available with firmware version 1.04 or later.  
The newest version can be downloaded from the support website.  
[support.brother.com](http://support.brother.com)

## NOTE

- Some settings may differ depending on the firmware (printer software).
- If you want to reset the settings, use **[Device settings]** in the “**Printer Setting Tool**” to return all settings to their factory defaults. For details, see *Device Settings* on page 34.

## Setting the Time and Date

Adjust the clock to the current time and date. This time and date is displayed in the main screen.

- 1 Press  (admin key).
- 2 Press , select [Setup], and then press [OK].
- 3 Press , select [Set Clock], and then press [OK]. The clock setting screen appears.
- 4 Press the number keys to specify the last two digits of the year, two digits for the month and two digits for the day.  
For December 1, 2013, press [1] [3] [1] [2] [0] [1].

- 5 Press [▲] or [▼] to select AM, PM or 24, and then press the number keys to specify two digits each for the hour and minutes.  
To enter 2:45 in the AM/PM format, press [▼] to select [PM], and then press [▶], then [0] [2] [4] [5].
- 6 Press [OK]. The main screen appears, and the specified time and date are displayed.

## NOTE

The format for the time and date can be changed. Press [⏏] (admin key), select [Setup], then [Time&Date Form] from the parameters, and then specify settings for [Date Format] and [Time Format].

## Setting the Administrator Password

A password can be set so that basic settings specified by pressing [⏏] (admin key) cannot easily be accessed. If a password is set, each time [⏏] (admin key) is pressed, a password must be entered. Access to these parameters can be restricted by setting a password.

- 1 Press [⏏] (admin key).
- 2 Press [▼], select [Admin Password], and then press [OK].
- 3 Press [▼], select [On], and then press [OK].  
The password input screen appears.
- 4 Type in the 4-digit password, and then press [OK].  
The password is set.

## NOTE

- This parameter can be accessed only when touch panel A (basic control panel) is set.
- After a password has been set, the password input screen appears when [⏏] (admin key) is pressed. Type in the specified 4-digit password, and then press [OK].
- To cancel the password settings, press [⏏] (admin key), type in the password to display the parameters, and then set [Admin Password] to [Off].
- If you do not remember the password, use [Device settings] in the “Printer Setting Tool” to return all settings to their factory defaults or specify the password again and apply it. For details, see *Device Settings* on page 34.

# Creating a Label Layout

From the computer, use P-touch Editor, which is included on the CD-ROM, to create a label layout. For details on use, see the Software User's Guide included on the CD-ROM.

## Creating a Template

- Label sample

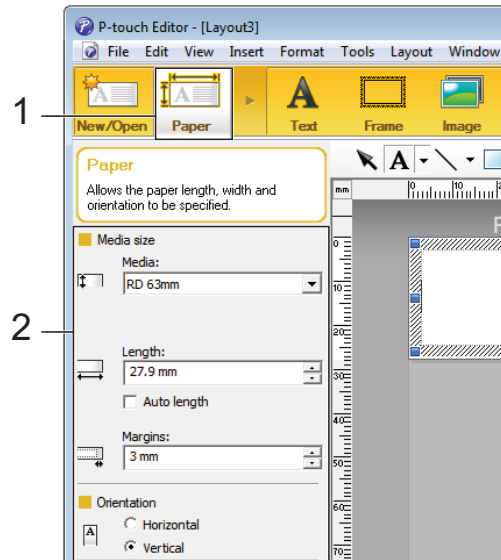


- 1 For Windows XP/Windows Vista/Windows 7:  
From the Start menu, click **[All Programs] - [Brother P-touch] - [P-touch Editor]**.

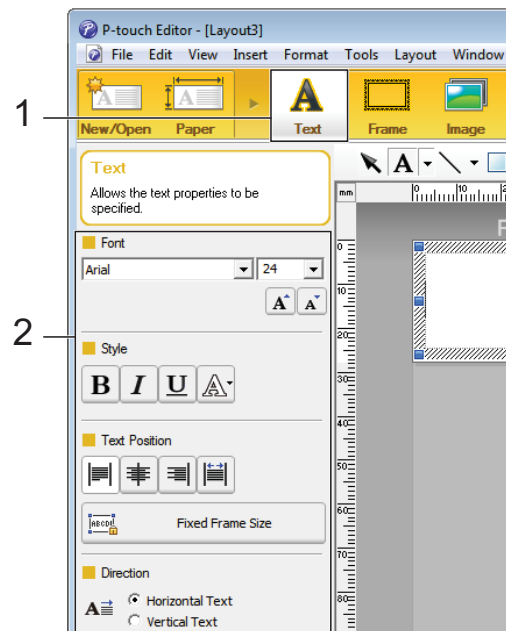
For Windows 8:  
Click **[P-touch Editor]** in the **[Start]** or **[Apps]** screen, or double-click **[P-touch Editor]** on the desktop.

- 2 When the **[New/Open]** dialog box appears, select the various options to set the printer to be used and the size of label to be created.

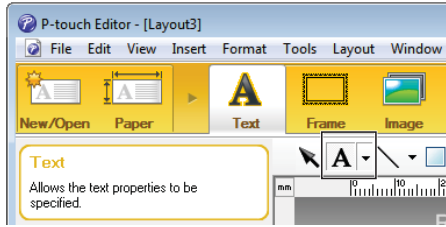
- 3 Click **[Paper]** (1), and then specify the media and length (2). (This window appears in **[Express]** mode.)



- 4 Click **[Text]** (1), and then specify the font and style (2).



- Clicking **A** displays the cursor so text can be typed in.



- After inserting the text, click the text box to move it within the template.
- Repeat steps 5 and 6 to enter text and arrange the layout. After entering text, click **[File] - [Save as]** on the menu bar, and then specify the file name for saving the data.

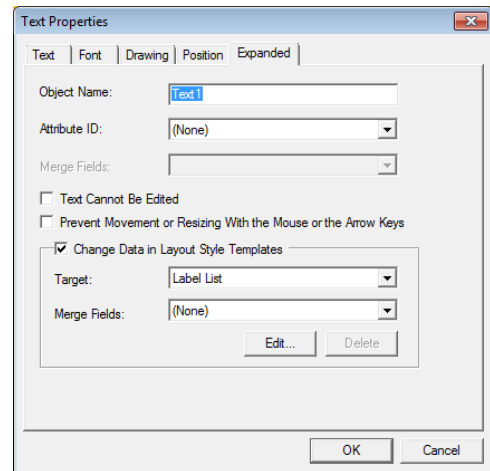
## NOTE

The first ten characters of the file name will appear on the LCD as the template name when the touch panel display is used.

## Setting the Text and Order for Displaying on the LCD

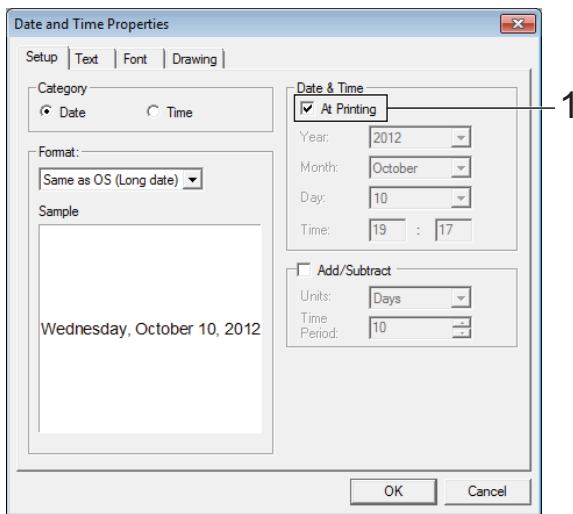
Using P-touch Editor, the text displayed on the LCD and its display order can be set.

- In P-touch Editor, open the label layout to be edited.
- Select the text box for text to be displayed on the LCD, right-click it, and then click **[Properties]** to display the **[Text Properties]** dialog box. In the **[Object Name]** box on the **[Expanded]** tab, set the desired number (for example, "Text1", "Text2" or "Text3"). The text will be displayed on the LCD in the order of the set numbers. To set that text not be displayed on the LCD, select the **[Text Cannot Be Edited]** check box on the **[Expanded]** tab.



## Inserting the Date and Time in a Label

- 1 In P-touch Editor, open the label layout to be edited.
- 2 On the menu bar, click **[Insert] - [Date/Time]** to display the **[Date and Time Properties]** dialog box. Select settings for the format of the text to be inserted.



!

- If the **[At Printing]** check box (1) is selected, the date and time of printing will be inserted. If the check box is cleared, the current date and time will be inserted and will not be updated.
- The date and time inserted into the label will be printed in the printer's built-in character size. Since the character size is determined by the size of the date and time object, adjust the object to the desired size in P-touch Editor before transferring the label layout to the printer.

## Linking a Database to a Template

- Label sample

Strawberry	Orange	Apple
\$ 2.85	\$ 1.55	\$ 2.15

A database can be linked to the template that was created. Since the text in the template can be replaced with text from the database, multiple labels can be printed simply by creating a single template.

For details on specifying database settings, see **[P-touch Editor Help]**.

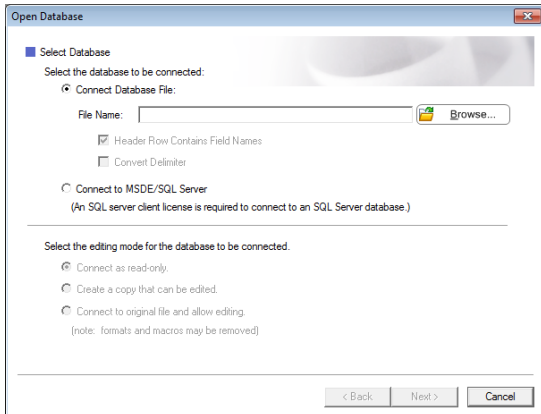
- 1 Prepare a database file in advance.

### NOTE

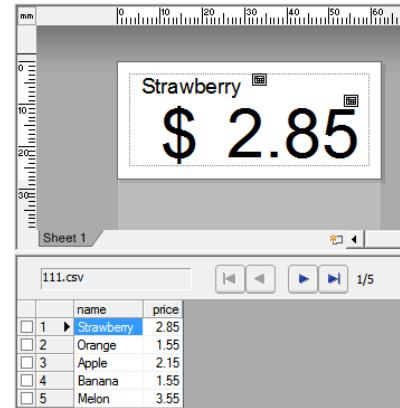
- Files saved as XLS, MDB, CSV and TXT formats can be used as databases.
- In order to use files in the XLSX or ACCDB format, Microsoft® Office 2007, 32-bit Microsoft® Office 2010, 2007 Office System Driver: Data Connectivity Components, or 32-bit 2010 Office System Driver: Data Connectivity Components must be installed.
- Only one database can be linked to a single template. A maximum of 65,000 records can be created in that database. (The total size of templates and databases is limited to 6 MB.)
- The data entered in the database can be displayed on the LCD. Only the first 13 characters can be displayed.

- 2 In P-touch Editor, open the template to be linked to the database.

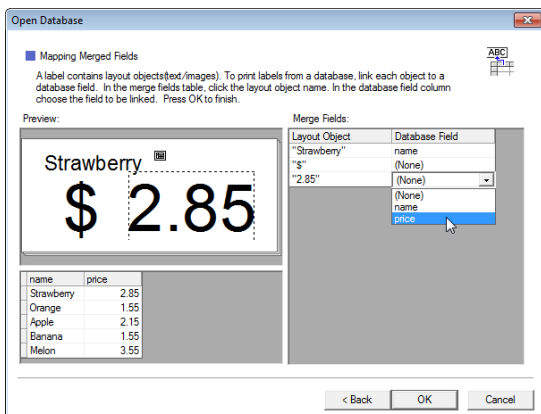
- On the menu bar, click **[File]** - **[Database]** - **[Connect]** to display the **[Open Database]** dialog box. Select **[Connect Database File]**, click **[Browse]**, and then select the database to be linked.



- The template and database will link, and the main window appears. Click the database row to be checked in order to display the label with the text replaced.



- Click **[Next]** to display a settings dialog box. With **[Database Field]** under **[Merge Fields]**, specify which database column will be linked to which object, and then click **[OK]**.



## Transferring the Label Layout to the Printer

By transferring the created label layout from a computer to the printer, you can easily use the touch panel display to print as many labels as required.

Use P-touch Transfer Manager to transfer data. For details, see the Software User's Guide included on the CD-ROM.



Before transferring data, make sure that the main screen appears on the LCD.

- 1 Connect the printer to the computer with a USB cable, and then turn on the printer.
- 2 In P-touch Editor, open the label layout to be transferred, and then click **[File]** - **[Transfer Template]** - **[Transfer]**.

### NOTE

- If **[Transfer Template]** cannot be selected in P-touch Editor, make sure that the layout window in P-touch Editor is the active window.
- If the label layout has already been transferred to P-touch Transfer Manager, you can start the application.

- For Windows XP/Windows Vista/Windows 7:

From the Start menu, click **[All Programs]** - **[Brother P-touch]** - **[P-touch Tools]** - **[P-touch Transfer Manager 2.1]**.

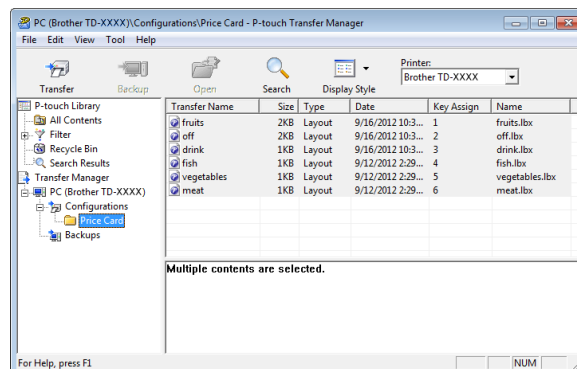
P-touch Transfer Manager starts up.

- For Windows 8:

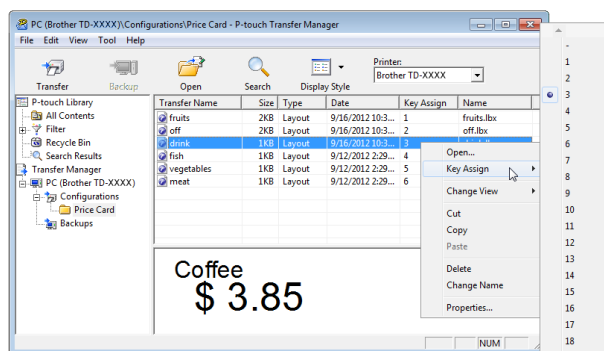
Click **[P-touch Transfer Manager 2.1]** in the **[Start]** or **[Apps]** screen.

P-touch Transfer Manager starts up.

- 3 Select this printer from the **[Printer]** list. Right-click **[Configurations]**, click **[New]**, and then create a new folder with the desired name. (In this example, the folder **[Price Card]** is created.) Click **[Configurations]** or **[All contents]**, and then drag the data to be transferred to the **[Price Card]** folder.

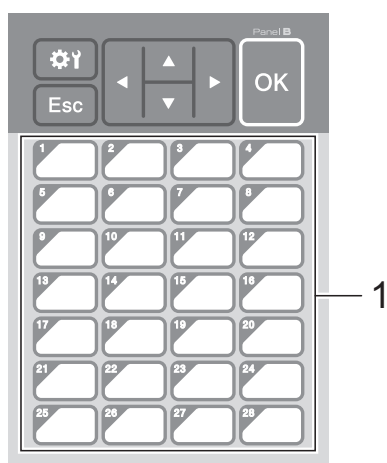


- 4 A key number (number of the template to be registered on the printer) is assigned to the file in the **[Price Card]** folder. To change the number, right-click the file, click **[Key Assign]**, and then select the desired number between 1 and 99.





The data registered with keys 1 to 28 (1) of the one-touch panel is determined by the key number.



If the one-touch panel will be used, the number must be specified before the data is transferred.

- If templates are assigned to one-touch keys:

Templates with key numbers 1 to 28 are registered with the one-touch key of the same number.

- If databases are assigned to one-touch keys:

When a template with a linked database is selected, databases with numbers 1 to 28 are registered with the one-touch key of the same number.

For details on specifying the data assigned to one-touch keys, see *Selecting the Data Assigned to Keys on the One-Touch Panel* on page 85.

- 5 Select the [**Price Card**] folder, and then click [**Transfer**]. If a confirmation message appears, click [**OK**]. Transferring begins.

## NOTE

- Up to 99 templates can be registered with this printer.

- There are various methods for transferring multiple templates together to the printer, depending on whether the printer driver is installed. For details, see “Creating Labels” in the Software User’s Guide included on the CD-ROM.
- If a new template is transferred with the same key number as another template already registered on the printer, the new template will overwrite the old one.

## Selecting the Touch Panel

Two touch panels, basic control panel (A) and one-touch panel (B) can be selected for the touch panel display.

If the one-touch panel (B) will be used, the data to be assigned to the one-touch panel keys must be specified. For details on specifying the settings, see *Selecting the Data Assigned to Keys on the One-Touch Panel* on page 85.

- 1 Press [**Settings**] (settings key).
- 2 Press [**Down**], select [Set Panel], and then press [**OK**].
- 3 Press [**Up**] or [**Down**], select [A] or [B], and then press [**OK**].
- 4 Follow the on-screen instructions to replace the touch panel. (For details on replacing it, see *Information About Replacing the Touch Panel* on page 72.)
- 5 Make sure that the specified touch panel name shown in the screen matches the name of the touch panel that is being used, and then press the **Print** button.

## Selecting the Data Assigned to Keys on the One-Touch Panel

The type of data assigned to one-touch keys when the one-touch panel is used with the touch panel display can be specified. The type of data can be either templates or databases.

- Sample label layout registered in the printer:

• Template No.1 (fruits.lbx)

Strawberry  
**\$ 2.85**

Database
 

No.	Name	Price
1	Strawberry	2.85
2	Orange	1.55
3	Apple	2.15
4	Banana	1.55

• Template No.2 (off.lbx)

Price Down !!  
**10%OFF**

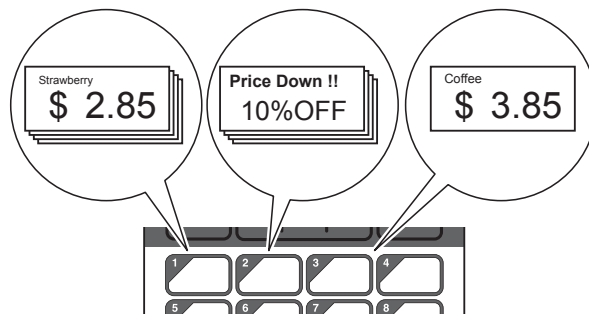
Database
 

No.	Price
1	10%
2	15%
3	30%
4	50%

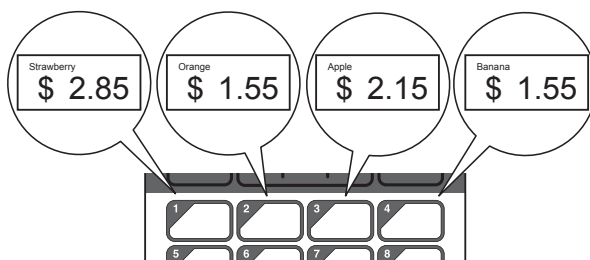
• Template No.3 (drink.lbx)

Coffee  
**\$ 3.85**

- If [Template] was set, starting with template number 1, templates are registered with the one-touch key of the same number.



- If [Database] was set, starting with database number 1, the databases of the selected template are registered with the one-touch key of the same number. (The illustration shows when template number 1 is selected.)



- 1 Press [Admin] (admin key).
- 2 Select [Setup], and then press [OK].
- 3 Select [Keys Function], and then press [OK].
- 4 Press [▲] or [▼], select [Template] or [Database], and then press [OK].

## Creating a One-Touch Panel

A one-touch panel can be created using any of the following methods.

- Using stickers or in handwriting, note the names of keys directly on the included one-touch panel.
- The actual panel figure can be found on the last page before the back cover in the Quick Setup Guide for the touch panel display. This figure can be used by copying it onto plain paper.

Panel size: 132.4 mm (length) × 92.3 mm (width)

- A panel format can be downloaded from the following website.

[support.brother.com](http://support.brother.com)

[**Select your region/country**] - Choose your product - [Downloads]

This can be used by typing in the key names, then printing out the data on plain paper.

## Printing the Label

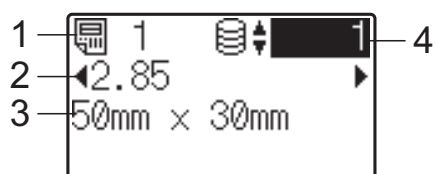
A label layout transferred to the printer can easily be printed or edited using the touch panel display, without a computer connection.

### Printing Using the Basic Control Panel

- 1 Turn on the printer. The main screen appears.




- 2 Press [▲] or [▼] to select the number of the template to be printed, or press the number keys to type in the number, and then press [OK]. Press [Q] (search key) to display the template details in the screen.

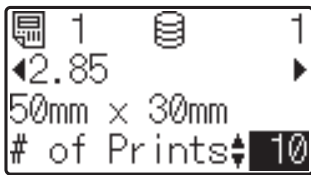


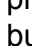
- 1 Template number
- 2 Text in template
- 3 Paper size
- 4 Database record number (only if a database is linked)

### NOTE


- All text in the template can be checked by pressing [◀] or [▶].
- The text displayed on the LCD and its display order are set by using P-touch Editor. For details, see *Setting the Text and Order for Displaying on the LCD* on page 80.

- 3 If a database is linked:  
Press [▲] or [▼] to select the number of the database record to be printed, or press the number keys to type in the number, and then press [OK].
- 4 Press the  (Print) button. A message to confirm the number of copies appears.



- 5 Type in the number of copies to be printed, and then press the  (Print) button or [OK]. The labels are printed.

## NOTE

- The number of copies to be printed can be set between 1 and 999.
- If the template contains a serialized number, the labels will be printed with the serialized field incremented by the specified number of times.
- If [Confirm Print] is set to [Off], printing begins when the  (Print) button is pressed in step 4.

## Editing Label Contents Before Printing

To change the contents of a template that has already been transferred to the printer, the touch panel display can be used to directly edit the data. This saves you the trouble of editing the data from the computer and transferring it to the printer.

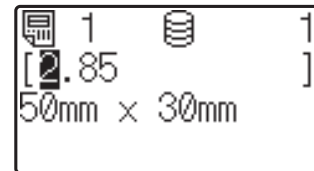
## NOTE

- Only numbers can be edited.
- Edited template cannot be saved. When a different template or database is selected, the edited data reverts to the original data.



Use the basic control panel to edit data.

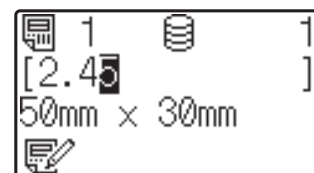
- 1 In the main screen, select the template to be edited, and then press [Q] (search key).  
If the contents of a database record is to be edited, select the appropriate database record.
- 2 Press [◀] or [▶] to display the item to be edited, and then press [OK].  
Editing mode is entered, and the editable number is highlighted.




- 3 Press [◀] or [▶] to highlight the number to be edited. Press the number key of the new number to overwrite the old number. (In this example, [2.85] will be changed to [2.45]. Press [▶] to highlight [8], and then press [4] on the number keys.)




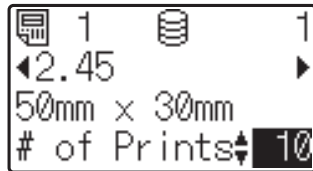
appears in the lower-left corner of the screen to indicate that the template was edited.




## NOTE

- To return the currently displayed item to its original number, press [ESC] to exit the editing mode.
- Holding down [ESC] for at least 1 second returns the currently displayed item to its original number and returns to the main screen. If any other item has been edited,  appears.

- 4 Press [OK] to apply the edited text, and then press the  (Print) button. A message to confirm the number of copies appears.



- 5 Type in the number of copies to be printed, and then press the  (Print) button or [OK]. The labels are printed.

### Searching for Records in a Database Linked to a Template

After a template with a linked database is transferred to the printer, you can search for a record in the database by pressing [Q] (search key) on the basic control panel.

To select whether to search for database records by their line number or by their data, press [Admin] (admin key) on the basic control panel, and then select the desired setting for [DB search].

- **By Line#:** Select this setting to search for database records by their line number.
- **By Data:** Select this setting to search for database records by their data (only numbers up to 13 digits) entered into the first data field (ex: Column A).

### NOTE

This function is available with firmware version 1.04 or later.

The newest version can be downloaded from the support website.

[support.brother.com](http://support.brother.com)

## Printing Using the One-Touch Panel

If a label layout has been assigned to a key on the one-touch panel, a label can easily be printed simply by pressing the key of the corresponding label.



The data registered with each one-touch key, is determined by the database number or the key number when the data was transferred from the computer to the printer. For details, see *Transferring the Label Layout to the Printer* on page 83.

- 1 Turn on the printer. The main screen appears.



- 2 If databases are assigned to one-touch keys: Press [▲] or [▼] to select a template.
- 3 Press the one-touch key for the label to be printed. The label details appear in the screen.



- 1 Template number
- 2 Text in label layout
- 3 Paper size
- 4 Database record number (only if a database is linked)
- 5 Number of prints

**NOTE**

- Press [◀] or [▶] to check all of the text in the label layout. If the one-touch panel (B) is being used, the data cannot be edited. Use the basic control panel (A) to edit the data. For details, see *Editing Label Contents Before Printing* on page 87.
- The text displayed on the LCD and its display order are set by using P-touch Editor. For details, see *Setting the Text and Order for Displaying on the LCD* on page 80.

- 4 With [▲] or [▼], type in the number of copies to be printed, and then press the [Print] button or [OK]. The labels are printed.

**NOTE**

- The number of copies to be printed can be set between 1 and 999.
- If the template contains a serialized number, the labels will be printed with the serialized field incremented by the specified number of times.
- If [Confirm Print] is set to [Off], printing begins when the one-touch key is pressed in step ③.

**If a Template With a Linked Database Is Registered with a One-Touch Key**

If you register a template with a linked database to a one-touch key, the displayed contents are for the database record corresponding to the number of times that you press the key. For example, with a template that has 3 database records, pressing the one-touch key once will display the contents of the first database record. Pressing it twice displays the contents of the second record, and pressing it three times will display the contents of the third record. Pressing the key four times will return to displaying the contents of the first database record.

- 1 Press the one-touch key for the label to be printed until the contents of the desired database record appears.
- 2 With [▲] or [▼], type in the number of copies to be printed, and then press the [Print] button or [OK]. The labels are printed.



If a template with a linked database is assigned to a one-touch key, be sure that [Confirm Print] is set to [On]. If [Off] is selected, only the first database can be selected.

**NOTE**

- The number of copies to be printed can be set between 1 and 999.
- If the template contains a serialized number, the labels will be printed with the serialized field incremented by the specified number of times.

**Printing a Different Date/Time Than the Printer's Internal Clock**

The date/time can be temporarily changed before printing. When the following screen is displayed immediately before printing begins, press [⚙] (settings key) to display a screen where the date/time can be directly entered. Printing can be continued after the date/time is entered.



In addition, by pressing [Admin] (admin key), then setting [Set Temp Time] to [Cont From Last], the date/time that was directly entered will be printed until the printer is turned off.

**NOTE**

- If settings have been specified to add/subtract a period of time to the date/time in a template, the specified time period will be added to (or subtracted from) the directly entered date/time.
- This function is available with firmware version 1.04 or later.

The newest version can be downloaded from the support website.

[support.brother.com](http://support.brother.com)

## Printing Using a Barcode Reader

Using P-touch Template functions, you can scan barcodes to display a template transferred to the printer, replace the text if necessary, then print labels. At this time, the contents of the displayed template or the text to be replaced can be checked on the LCD.

For details on the P-touch Template functions, see the Software User's Guide included on the CD-ROM.

To check the text in the template, select the template number in the main screen so that the template details are displayed, and then press [◀] or [▶]. To edit the text, display the text to be edited, and then press [OK]. Editing mode is entered, and the editable text is highlighted.

Since the contents of the label layout can be checked before being printed, you can be sure to avoid printing the wrong label.

## Label Layouts on the Printer (Checking, Deleting and Log)

With the following procedures, label layouts on the printer can be checked or deleted, or their print log can be viewed.

### Checking the Contents of a Label Layout

To display template details in the screen and check the contents, press [Q] (search key) on the touch panel display. For details, see *Printing Using the Basic Control Panel* on page 86.

### Deleting a Label Layout

[Device settings] of the "Printer Setting Tool" can be used to delete a label layout from the printer. On the menu bar, click [Tools] - [Delete Template and Database] to delete a template or database registered on the printer. For details, see *Menu Bar* on page 40.

To check the label layouts on the printer and select the data to be deleted, connect the printer to a computer and use P-touch Transfer Manager. For details, see the Software User's Guide included on the CD-ROM.

### Checking the Print Log for Label Layouts

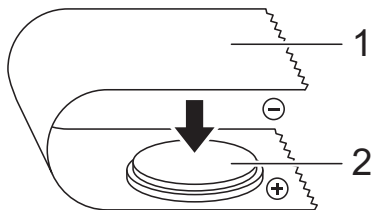
[Device settings] of the "Printer Setting Tool" can be used to check the print log. If [Save Printer Print Log] on the [Advanced] tab is set to [Enable], a print log will be saved on the printer. To export the print log and save it as a .csv file, click [Tools] - [Save Print Log in File]. For details, see *Device Settings* on page 34.

# Replacing the Time/Date Battery

A time/date battery is provided in order to maintain the settings for the internal clock. The battery will be consumed even if the printer is not used for a long period of time.

- Only use recommended batteries in the printer. Other batteries may cause damage to the printer.
- Dispose of the battery at an appropriate collection point, not in the general waste stream. In addition, be sure to observe all applicable federal, state, and local regulations.
- When storing or discarding the battery, wrap it (for example with cellophane tape), to prevent it from short-circuiting.

(Battery insulation example)



**1 Cellophane tape**

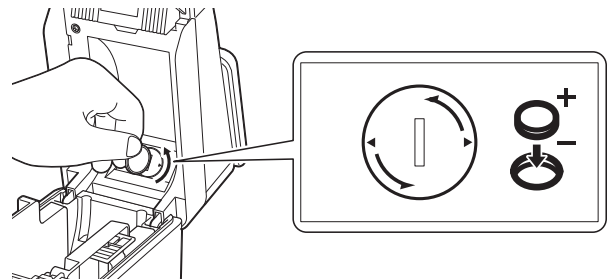
**2 Time/date battery**

- We recommend replacing the battery every two years.
- If the clock is reset while power is supplied to the printer, replace this battery. When replacing the lithium battery, purchase a CR2032 battery (recommended manufacturers: Hitachi Maxell, Ltd., FDK Corporation, Panasonic Corporation, Sony Corporation, Toshiba Corporation and VARTA Microbattery Inc.).

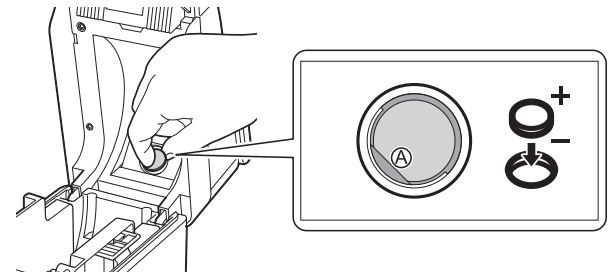
- 1** Press and hold the  $\odot$  (Power) button to turn the printer off, and then disconnect the printer from the AC power socket. If the rechargeable Li-ion battery (optional) is installed, remove the rechargeable battery.
- 2** Press the cover release lever on either side and lift up to open the RD Roll compartment top cover.
- 3** Using a coin or similar object, slowly turn the time/date battery cover in the direction of the arrow on the battery cover until it stops, and then remove the time/date battery cover.



If the time/date battery cover is forcibly turned past the stop position, it may be damaged.



- 4** Remove the battery. As shown below, press part A of the battery to release it so that it can easily be removed.



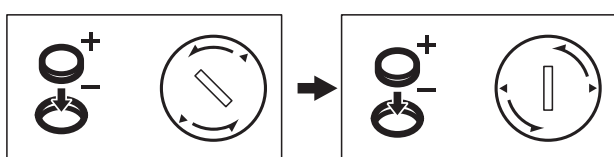
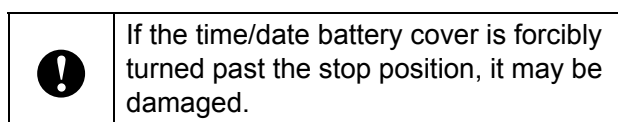
- 5** Install the new battery.



Be sure to insert the new battery with the + and - sides facing the correct direction.



- 6 Return the time/date battery cover to its original position, and then use a coin or similar object to slowly turn the time/date battery cover in the opposite direction of the arrow on the battery cover until it stops in order to install the time/date battery cover.



- 7 Close the RD Roll compartment top cover. Press down until it snaps into place.

## NOTE

The time and date can be configured from the [Admin] (admin key) on the touch panel. For details, see *Setting the Time and Date* on page 77.

## Frequently Asked Questions

**Q.** How much memory is available?

**A.** The printer has 6 MB of built-in memory available, allowing a maximum of 99 templates to be saved. When there is no more of the built-in memory available or when 99 templates have been registered, templates can no longer be transferred to (be registered with) the printer. Delete unnecessary templates from the printer.

**Q.** Why does the file size change when a template is transferred to the printer?

**A.** Since the format of a template file added to P-touch Transfer Manager 2.1 is different from the format of a file after it has been transferred to the printer, the file size changes.

**Q.** How can I check the number of templates that can be registered on the printer and the key numbers that are being used?

**A.** Follow the procedure below to check the information:

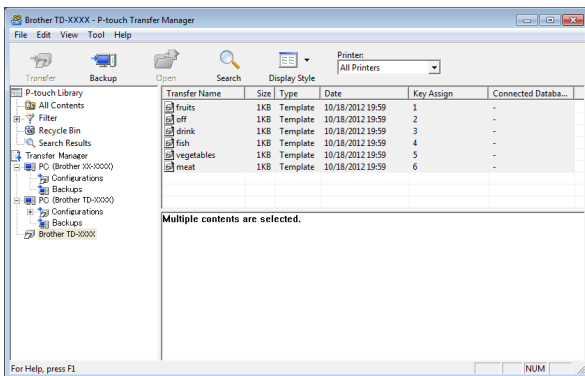
- 1 Connect the printer to the computer with a USB cable, and then turn on the printer.
- 2 For Windows XP/Windows Vista/Windows 7:

From the Start menu, click [All Programs] - [Brother P-touch] - [P-touch Tools] - [P-touch Transfer Manager 2.1].

For Windows 8:

Click [P-touch Transfer Manager 2.1] in the [Start] or [Apps] screen.

- 3 Click “Brother TD-XXXX” (where “TD-XXXX” is the model name of your printer) in the pane on the left side to display the templates registered with the printer in the pane on the right side. The number of templates and the key numbers that are being used can be checked.



## Product Specifications

Size: Approximately 111 mm (W) × 170 mm (D) × 78 mm (H)

Weight: 0.342 kg

**Q.** Why can't a template be transferred to the printer (it was transferred, but the date was not automatically updated)?

**A.** The printer driver may not be correctly installed. Re-install the printer driver, and then try transferring again.

If the date was not updated, check that the [**At Printing**] check box is selected in the [**Date and Time Properties**] dialog box for the template.

For details, see *Inserting the Date and Time in a Label* on page 81.

# Using the WLAN Interface (Optional:PA-WI-001) (TD-2120N/2130N only)

## Installing the Printer Driver and Software

The printer driver and software can be installed using any of the following three method.

- USB cable connection
- Wired LAN connection (TD-2120N/2130N only)
- Wireless LAN connection (TD-2120N/2130N only) (if the WLAN interface is attached)

The following describes the procedure for making a wireless LAN connection.

Before specifying settings, see *Installing the Printer Driver and Software* on page 4 and *Installer Screen* on page 5.

To make a USB cable connection or wired LAN connection, see *USB Cable Connection* on page 5 and *Wired LAN Connection (TD-2120N/2130N only)* on page 7.

## Before Making a Wireless LAN Connection

In order to use a wireless LAN connection, the WLAN interface (optional) must be attached to the printer. For details on attaching the WLAN interface (optional), see its instruction manual.

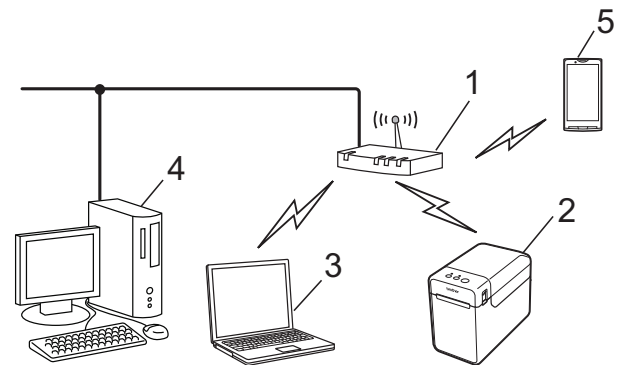


Before making a wireless LAN connection, make sure that the network cable is not connected to the printer.

## Required Devices and Network Configuration

This section provides a description of the procedure for making a connection in the following network configuration (infrastructure mode).

- Infrastructure mode



- 1 WLAN access point/router
- 2 This printer
- 3 Wireless-capable computer connected to the access point/router
- 4 Wired computer connected to the access point/router
- 5 Mobile phone, such as a smartphone



- If you have previously configured the printer's wireless settings, you must reset the network settings before you can configure the wireless settings again.
- 1 Press and hold the ⏻ (Power) button to turn the printer off.
  - 2 Press and hold the ⏴ (Feed) button and the ⏻ (Power) button until the POWER indicator lights in orange and the STATUS indicator blinks in green.
  - 3 While holding down the ⏻ (Power) button, press the ⏴ (Feed) button 2 times.
  - 4 Release the ⏻ (Power) button.

## NOTE

In order to obtain the maximum data transfer speed in a WLAN environment, check for the following:

- Use this printer as close as possible to the access point/router.
- Make sure that there are no obstacles between this printer and the access point/router. Large objects and walls may make it difficult to establish a connection.
- Other electronic devices may cause interference. This may decrease the data transfer speed.

In such an environment, there may be a decrease in the speed, compared to a wired LAN or USB connection. If a wired LAN or USB connection is used, the maximum processing speed may be achieved.

## Choosing Your Wireless Installation Method

There are two methods to specify wireless LAN settings. Choose the method that you prefer for your environment.

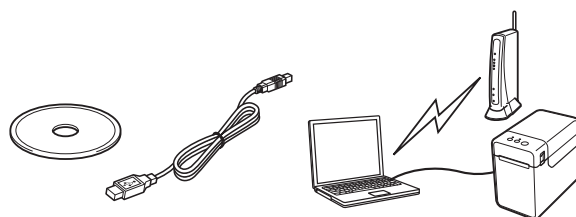
- Configuration using the installer CD-ROM and temporarily using a USB cable (page 95)
- One-push configuration using WPS (page 100)

If the printer is on an enterprise wireless network (such as LEAP and EAP-FAST), connect the printer via USB to configure its wireless settings.


## NOTE

Information is available to specify settings with methods other than the two described here. For details, see the Network User's Guide included on the CD-ROM.

## Configuration Using the Installer CD-ROM and Temporarily Using a USB Cable



If this method will be used, we recommend using a USB cable to connect this printer to a computer already wirelessly connected to the desired network.

	<ul style="list-style-type: none"> <li>■ For configuring wireless LAN settings, a USB cable must temporarily be used. Prepare the included USB cable.</li> <li>■ Before beginning the installation, you must know the SSID and network key of your WLAN access point/router.</li> <li>■ We cannot assist you with your network policy (or its settings). Consult with your network administrator. Please do not contact Brother customer service for assistance on security settings.</li> </ul>
---	--

**NOTE**

- The SSID is required for configuring wireless settings. Network key information is also required, except in an open system (a network with no password). In addition, if WEP is used for encryption, a WEP key is required.
- Finding the SSID and network key:
  - Since network information such as the SSID, network key and WEP key are settings customised for your environment, contact your network administrator. If you have specified the settings, refer to the manual for your WLAN access point/router.
  - In addition, if your wireless LAN is set to stealth mode, a connection cannot be established with the network using the procedures described here; therefore, contact your network administrator.
  - To see the MAC address for your printer, print its device settings. For details, see *Printing the Printer Setup Information* on page 19.

- 1 Before beginning the installation, you must know the SSID and network key of your WLAN access point/router. Make a note of your settings in order to remember the specified information. Refer to the following table.

Item	Setting
SSID (network name)	
Network key* (security key/encryption key)	

\*The network key may also be described as the password, security key or encryption key.

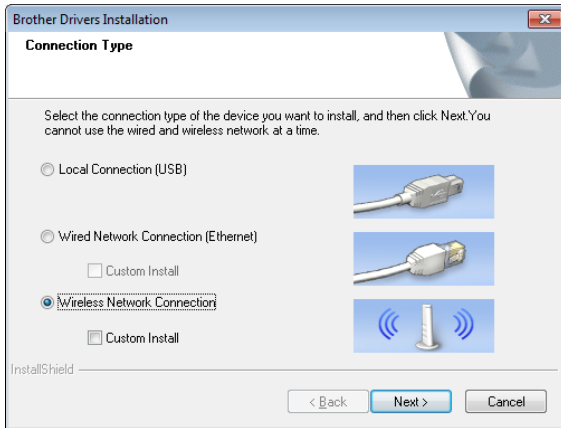
- 2 Insert the installer CD-ROM into your CD-ROM drive. If the language screen appears, choose your language.

**NOTE**

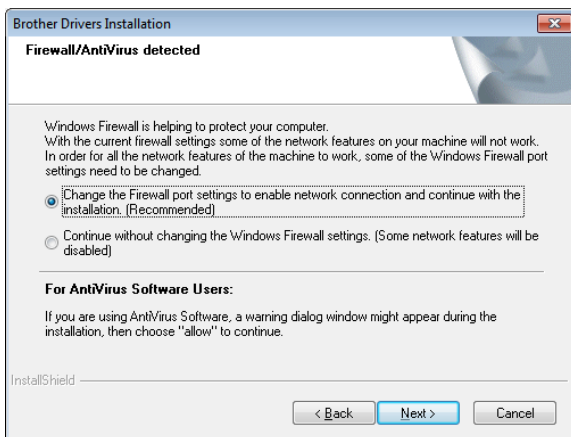
- For Windows XP/Windows Vista/Windows 7:  
If the installer screen does not automatically appear, display the contents of the CD-ROM drive folder, and then double-click [**start.exe**].
- For Windows 8:  
If the installer screen does not automatically appear, click [**Run start.exe**] in the [**Start**] screen, or display the contents of the CD-ROM drive folder from the desktop, and then double-click [**start.exe**].

- 3 Click [**Standard Installation**].
- 4 Read the licence agreement, and click [**Agree**] if you agree with the terms and conditions.
- 5 Click [**Install**] to start the installation, and then follow the on-screen instructions.

- 6 When the screen for selecting the connection method appears, select **[Wireless Network Connection]**, and then click **[Next]**.



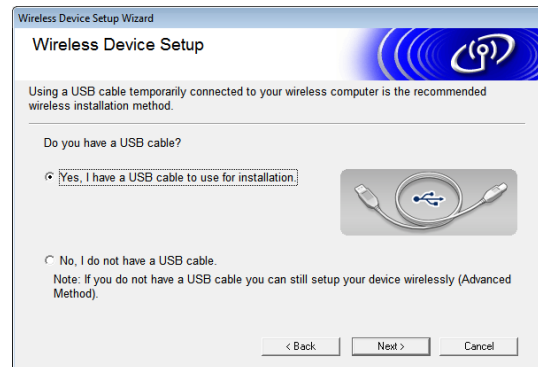
- 7 When the **[Firewall/AntiVirus detected]** screen appears, select **[Change the Firewall port settings to enable network connection and continue with the installation. (Recommended)]**, and then click **[Next]**.  
If you are not using the Windows Firewall, allow access using UDP ports 137 and 161.



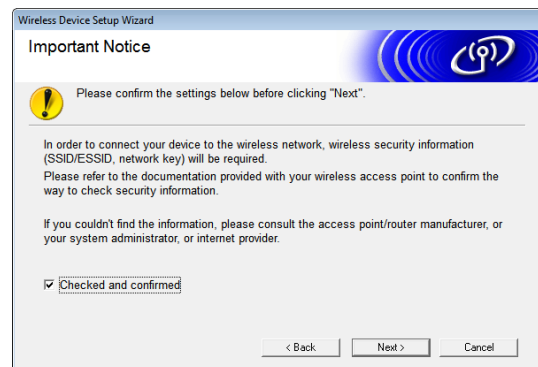
- 8 Use the slider to enable the WLAN interface.

- 9 Make sure that the network cable is not connected to the printer, and then turn on the printer.  
Follow the on-screen instructions to check that the printer is in wireless LAN mode.

- 10 Select **[Yes, I have a USB cable to use for installation]**, and then click **[Next]**.



- 11 If the **[Important Notice]** screen appears, read the notice, select the check box after confirming the SSID and network key, and then click **[Next]**.

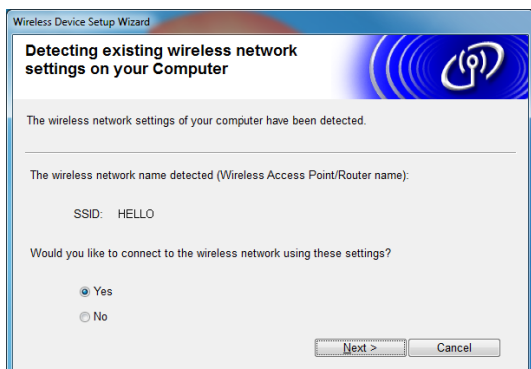


- 12 Directly connect the computer and the printer with a USB cable.

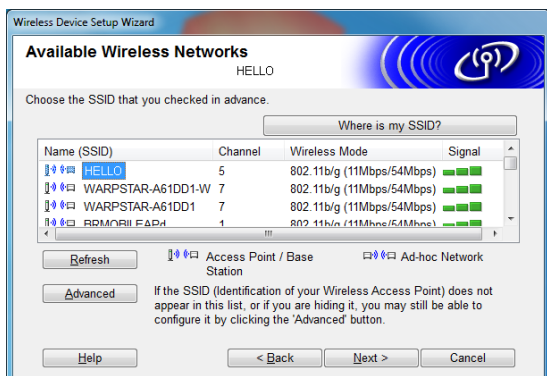


- If the installation confirmation screen appears, select the check box, click [Next], and then go to step 13.
- Otherwise, go to step 14.

- 13 To connect with the displayed SSID, select [Yes]. Click [Next], and then go to step 16.



- 14 The wizard will search for wireless networks available to your printer. Select the SSID noted in step 1, and then click [Next].



## NOTE

- If the list is empty, check that the access point is turned on and is broadcasting the SSID, and then check if the printer and the access point are within range for wireless communication.

Then, click [Refresh].

- If your access point is set to not broadcast the SSID, you can type in the SSID manually by clicking the [Advanced] button. Follow the on-screen instructions for typing in [Name (SSID)], and then click [Next].

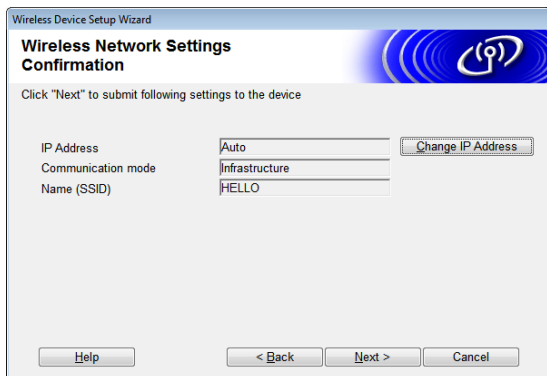
- 15 Type in [Network Key], which was noted in step 1, and then click [Next].



## NOTE

If your network is not configured for authentication and encryption, the [ATTENTION!] screen appears. To continue configuration, click [OK], and then go to step 16.

- 16 Confirm the wireless network settings, and then click **[Next]**. The settings will be sent to your printer.



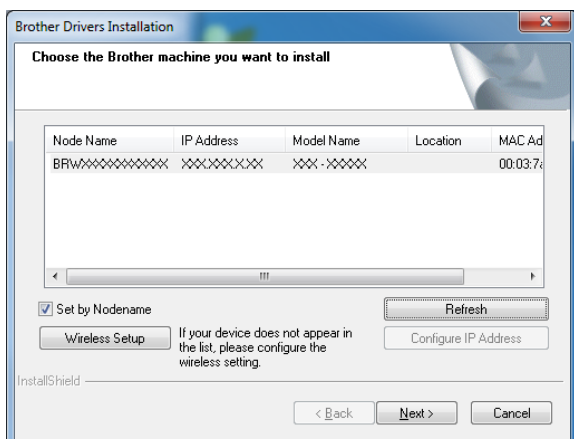
## NOTE

- The settings will remain unchanged if you click **[Cancel]**.
- If you want to manually assign an IP address to the printer, click **[Change IP Address]**, and then type in the IP address.
- If the wireless setup failure screen appears, click **[Retry]**.

- 17 Disconnect the USB cable connecting the computer and the printer, and then click **[Next]**.

Wireless setup is now complete. Go to step 18 to install the printer driver and software.

- 18 Select the printer from the list, and then click **[Next]**.



Installation of the printer driver and software begins.

## NOTE

- If wireless setup failed, the **[Wireless Device Setup Wizard]** screen appears. Follow the on-screen instructions to complete the wireless configuration.
- If WEP is being used as the encryption method and your printer is not found, make sure that you typed in the WEP key correctly.

- 19 The P-touch Update Software can be used to check for updates. When **[OK to use P-touch Update Software to update the software to the newest version? (An Internet connection is required to update.)]** appears, click **[Yes]** or **[No]**.

- To check for new versions of the software and to update them, click **[Yes]**, and then go to step 20.
- To not check for new software versions or update them, click **[No]**, and then go to step 21.

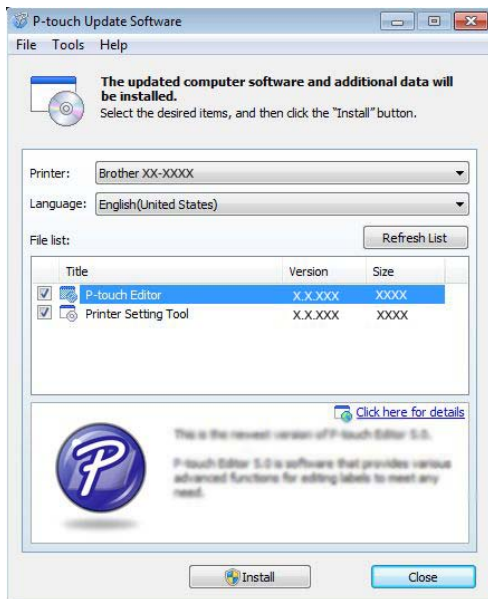
## NOTE

If you click **[No]** here, you can run the P-touch Update Software at a more convenient time to check for new software versions and update them. Double-click the P-touch Update Software icon on the desktop. (Your computer must be connected to the Internet.)



**20** The P-touch Update Software starts up.

- If an application appears under [**File list**], there is a new version of the application. If the check box is selected and [**Install**] is clicked, that application can be installed. Wait until a message appears indicating that the installation has finished.



- If no application appears under [**File list**], the application currently installed on the computer is the newest version. There is no need to update. Click [**Close**].

**21** When the screen for the online user registration appears, click [**OK**] or [**Cancel**].

- If you clicked [**OK**], you will go to the online user registration page before finishing the installation (recommended).
- If you clicked [**Cancel**], installation continues.

**22** Click [**Finish**].  
The installation is now complete.

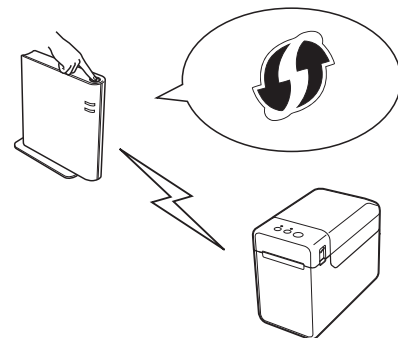
**!** DO NOT cancel any of the screens during the installation. It may take a few seconds for all screens to appear.

**NOTE**

- For Windows Vista/Windows 7/Windows 8 users:  
When the [**Windows Security**] screen appears, select the check box, and then click [**Install**] to complete the installation correctly.
- Depending on your security settings, a Windows Security or antivirus software window may appear when the printer or its software is being used. Allow or permit the installer to continue.
- When you are asked to restart the computer, click [**Restart**].

**One-Push Configuration Using WPS**


If your WLAN access point/router must supports WPS (Wi-Fi Protected Setup™), settings and a connection can be configured easily with the press of a button.



**1** Check that your WLAN access point/router has the WPS symbol.



**2** Place your printer within range of your WPS access point/router. The range may differ depending on your environment. Refer to the manual for your WLAN access point/router.

- 3 Use the slider to enable the WLAN interface.
- 4 Make sure that the network cable is not connected to the printer, and then turn on the printer.
- 5 Hold down (at least 5 seconds) the  (Feed) button until the STATUS indicator blinks in green.
- 6 Press the WPS button on your WLAN access point/router. When the configuration is complete, the STATUS indicator on the printer lights in green.

Wireless setup is now complete. Go to step 7 to install the printer driver and software.

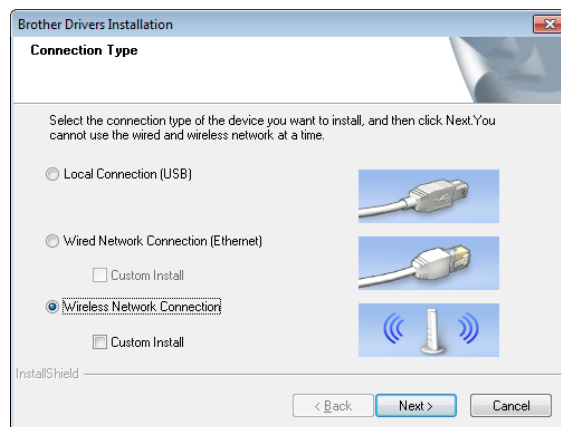
- 7 Insert the installer CD-ROM into your CD-ROM drive. If the language screen appears, choose your language.

## NOTE

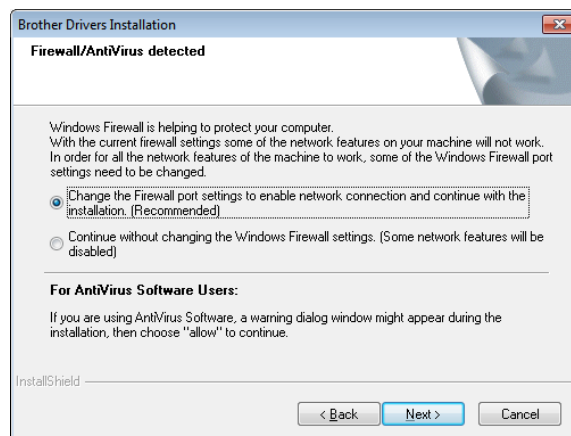
- For Windows XP/Windows Vista/Windows 7:  
If the installer screen does not automatically appear, display the contents of the CD-ROM drive folder, and then double-click [**start.exe**].
- For Windows 8:  
If the installer screen does not automatically appear, click [**Run start.exe**] in the [**Start**] screen, or display the contents of the CD-ROM drive folder from the desktop, and then double-click [**start.exe**].

- 8 Click [**Standard Installation**].
- 9 Read the licence agreement, and click [**Agree**] if you agree with the terms and conditions.
- 10 Click [**Install**] to start the installation, and then follow the on-screen instructions.

- 11 When the following screen appears, select [**Wireless Network Connection**], and then click [**Next**].

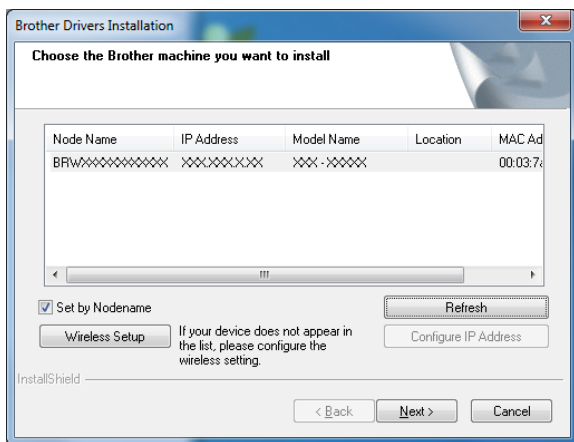


- 12 When the [**Firewall/AntiVirus detected**] screen appears, select [**Change the Firewall port settings to enable network connection and continue with the installation. (Recommended)**], and then click [**Next**].  
If you are not using the Windows Firewall, allow access using UDP ports 137 and 161.



- 13 Follow the on-screen instructions to check that the printer is in wireless LAN mode.

- 14 Select the printer from the list, and then click **[Next]**.



Installation of the printer driver and software begins.

## NOTE

- If wireless setup failed, the **[Wireless Device Setup Wizard]** screen appears. Follow the on-screen instructions to complete the wireless configuration.
- If WEP is being used as the encryption method and your printer is not found, make sure that you typed in the WEP key correctly.

- 15 The P-touch Update Software can be used to check for updates. When **[OK to use P-touch Update Software to update the software to the newest version? (An Internet connection is required to update.)]** appears, click **[Yes]** or **[No]**.

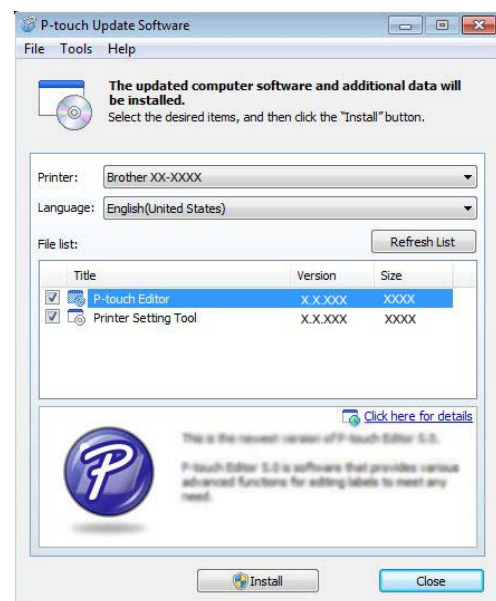
- To check for new versions of the software and to update them, click **[Yes]**, and then go to step 16.
- To not check for new software versions or update them, click **[No]**, and then go to step 17.

## NOTE

If you click **[No]** here, you can run the P-touch Update Software at a more convenient time to check for new software versions and update them. Double-click the P-touch Update Software icon on the desktop. (Your computer must be connected to the Internet.)

- 16 The P-touch Update Software starts up.


- If an application appears under **[File list]**, there is a new version of the application. If the check box is selected and **[Install]** is clicked, that application can be installed. Wait until a message appears indicating that the installation has finished.



- If no application appears under **[File list]**, the application currently installed on the computer is the newest version. There is no need to update. Click **[Close]**.

- 17 When the screen for the online user registration appears, click [OK] or [Cancel].
- If you clicked [OK], you will go to the online user registration page before finishing the installation (recommended).
  - If you clicked [Cancel], installation continues.


- 18 Click [Finish]. The installation is now complete.

	DO NOT cancel any of the screens during the installation. It may take a few seconds for all screens to appear.
---	--

## NOTE

- For Windows Vista/Windows 7/Windows 8 users:  
When the [Windows Security] screen appears, select the check box, and then click [Install] to complete the installation correctly.
- Depending on your security settings, a Windows Security or antivirus software window may appear when the printer or its software is being used. Allow or permit the installer to continue.
- When you are asked to restart the computer, click [Restart].

## Connecting the Computer and Printer by Wireless LAN

	In order for the printer to communicate through the WLAN access point/router, the printer driver and the “ <b>Printer Setting Tool</b> ” must first be installed, and the WLAN connection settings must be specified. For details, see <i>Installing the Printer Driver and Software</i> on page 4.
---	---

- 1 Use the slider to enable the WLAN interface.
- 2 Make sure that the network cable is not connected to the printer, and then turn on the printer.  
WLAN communication will start.

## NOTE

- The printer’s communication settings can be changed with [Communication settings] in the “**Printer Setting Tool**”. For details, see *Communication Settings (TD-2120N/2130N only)* on page 27.
- By using the “**Printer Setting Tool**”, the communication settings can be changed and easily applied to multiple printers. For details, see *Applying Setting Changes to Multiple Printers* on page 33.

## Product Specifications

Size: Approximately 110 mm (W) × 85 mm  
(D) × 26 mm (H)

Weight: 0.050 kg

# Using the Bluetooth Interface (Optional:PA-BI-001) (TD-2120N/2130N only)

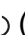

## Connecting the Computer and Printer by Bluetooth

### NOTE

- Follow the recommendations of the manufacturer of your Bluetooth-equipped computer or Bluetooth adapter and install any necessary hardware and software.
- When connecting via Bluetooth, the connection settings are saved even after the printer is turned off.

Use this procedure to pair the printer with the computer using the Bluetooth management software.

In order to use a Bluetooth connection, the Bluetooth interface (optional) must be attached to the printer. For details on attaching the Bluetooth interface (optional), see its instruction manual.

- 1 Check that the Bluetooth interface (optional) is correctly attached to the printer, and then use the slider to enable the Bluetooth interface.
- 2 Press the  (Power) button to turn on the printer.
- 3 Hold down (about 5 seconds) the  (Feed) button until the STATUS indicator blinks in green.
- 4 If the printer was automatically turned off, turn it on again.

- 5 Check that the STATUS indicator is lights in green. The printer has entered Bluetooth mode.

If the STATUS indicator turns off, the printer has failed to enter the Bluetooth mode. Repeat the procedure from step

③.

- 6 Use your Bluetooth management software to discover the printer and configure the printer connection.

### NOTE

If the software prompts you to enter a Bluetooth passkey (PIN code), type in the passkey assigned to the printer. By default, the printer's passkey is the last four digits of its serial number.




- 7 Note the name of the port used for the connection. (Virtual COM ports such as "COM1" or "COM3" will be used.)
- 8 Insert the installer CD-ROM into your CD-ROM drive.
- 9 Double-click the CD-ROM drive, and then double-click **[BluetoothSetup.exe]**. Follow the on-screen instructions to configure the settings.
- 10 When the screen to specify the port name appears, specify the port name noted in step ⑦.

### NOTE

Refer to your Bluetooth management software's documentation for details on connection settings, confirming the port name, etc.

## Using Bluetooth to Communicate When Printing

This printer will not be able to print using Bluetooth immediately after it has been enabled. You must first follow the procedure below to allow the printer to communicate with your computer. Once a connection has been established, the printer remains connected until it is turned off, preventing it from being discovered by any other computer.

- 1 Check that the Bluetooth interface (optional) is correctly attached to the printer, and then use the slider to enable the Bluetooth interface.
- 2 Press the  (Power) button to turn on the printer.
- 3 Hold down (about 5 seconds) the  (Feed) button until the STATUS indicator blinks in green.
- 4 If the printer was automatically turned off, turn it on again.
- 5 Check that the STATUS indicator is lights in green. The printer has entered Bluetooth mode.  
If the STATUS indicator turns off, the printer has failed to enter the Bluetooth mode. Repeat the procedure from step .
- 6 Use the Bluetooth management software to discover the printer. Bluetooth communication starts.

## Product Specifications

Size: Approximately 110 mm (W) × 81 mm (D) × 26 mm (H)

Weight: 0.048 kg


# 13

## Using the Label Peeler (Optional:PA-LP-001) (TD-2120N/2130N only)

If the label peeler is used, printed labels can be automatically peeled off their backing paper before they are fed out of the media exit. This is useful when affixing a large amount of printed labels.


Follow the procedure below to load the correct paper.


For details on attaching the label peeler (optional), see its instruction manual.

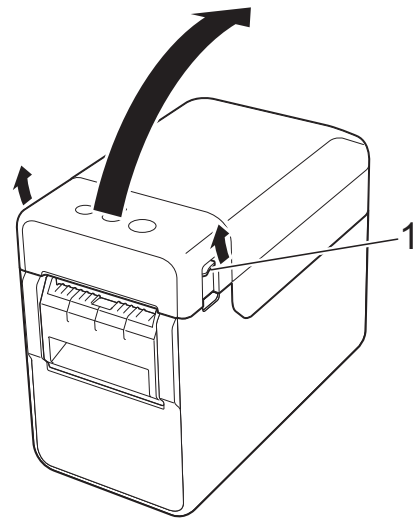
	Before using the label peeler, the setting for using the label peeler must be specified in the printer driver. For details, see <i>Printer Driver Settings</i> on page 110.
---	---

### Inserting the RD Roll

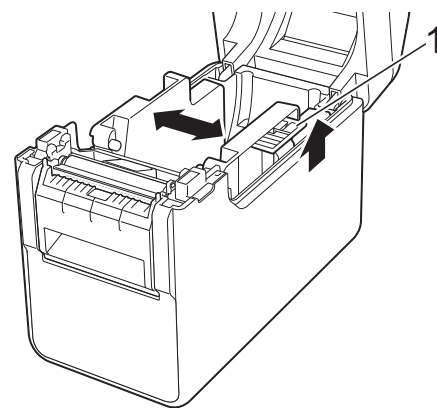
- When using the peeling function of the label peeler to peel off labels while printing:

	<ul style="list-style-type: none"><li>■ Be sure to use genuine Brother roll media.</li><li>■ Be sure to use die-cut labels. Do not use any other labels.</li></ul>
---	--

- 1 Press and hold the  (Power) button to turn the printer off. Press the cover release lever (1) on either side and lift up to open the RD Roll compartment top cover.



- 2 Open the media guides by lifting up the media guide adjustment lever (1) and pulling the media guides outwards.

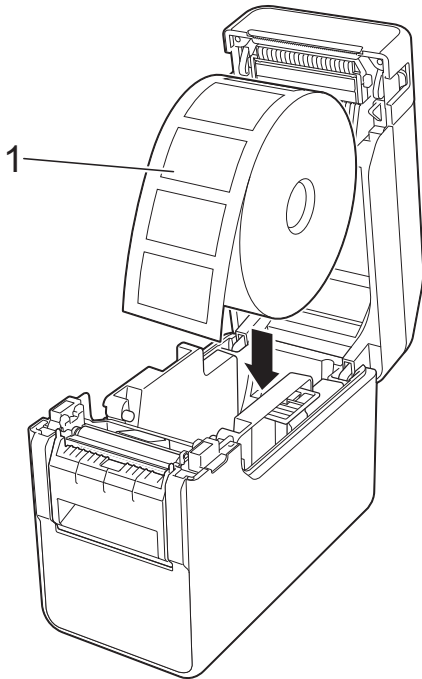


#### NOTE

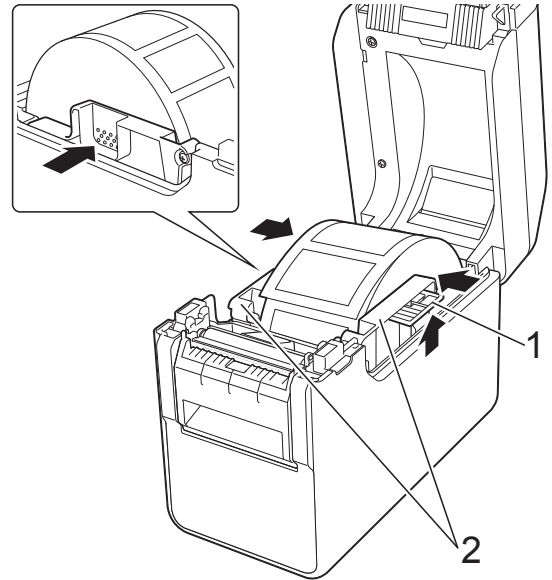
The media guides are shipped fully open from the factory.



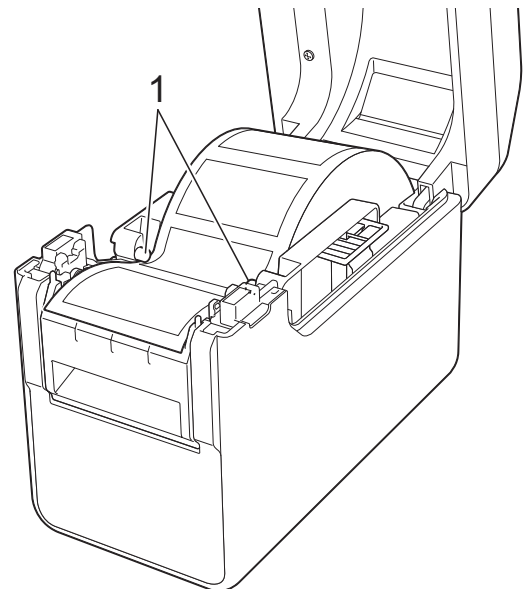
- 3 Insert the RD Roll so that the labels feed with the side to be printed on facing up (1), as shown.



- 4 While lifting up the media guide adjustment lever (1), push in both media guides (2) to fit the width of the paper.

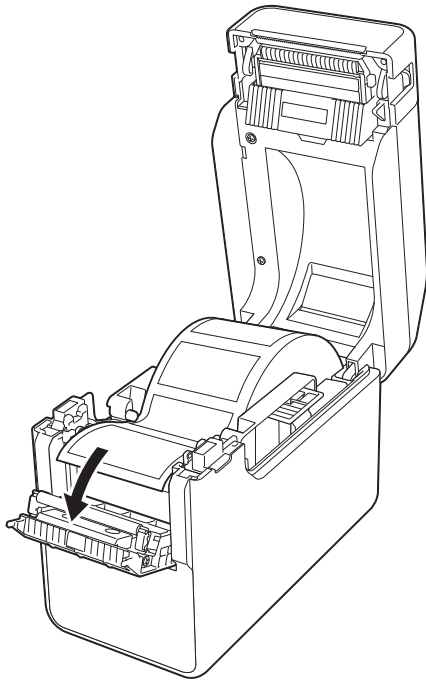


- 5 Feed the end of the RD Roll under the media tip guides (1).

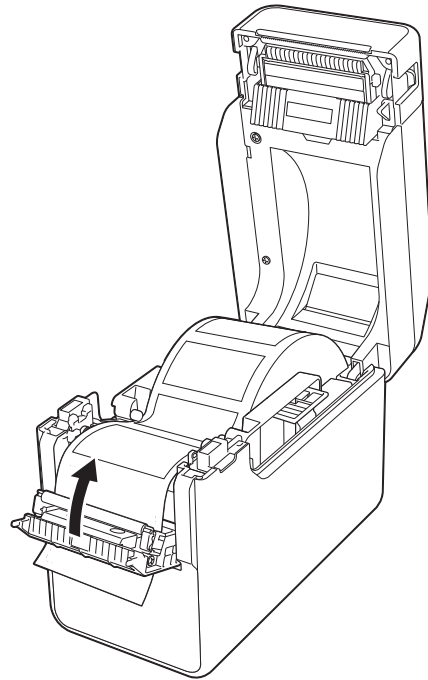


- Use RD Rolls with a maximum outer dimension of 127 mm or less. Use RD Rolls designed for TD series printers. Regardless of the size, some RD Rolls may not be usable.
- Insert the RD Roll facing the correct direction. If the RD Roll is not inserted correctly, the printer will not print on the correct side of the paper or label.
- When using media with the labels rolled up on the inside, insert the roll in the opposite direction of that shown in step 3 so that the print side of the labels will face up.

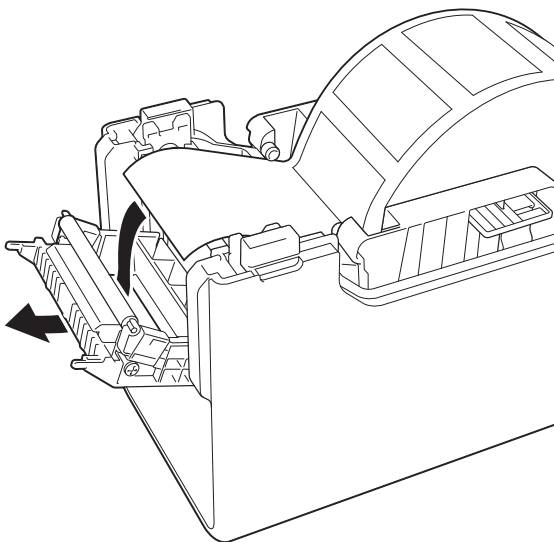
- 6 Hold the liner exit of the label peeler and open the peeler door.



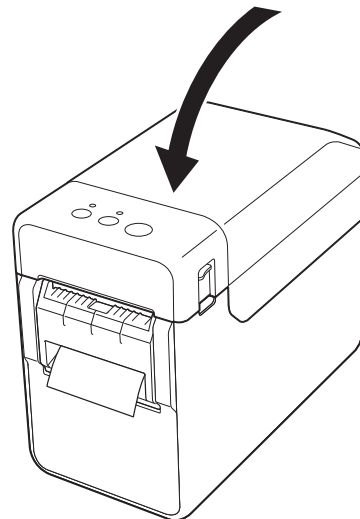
- 8 Close the peeler door. Close it so that it snaps into place.



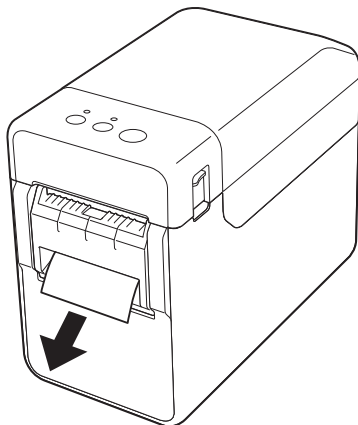
- 7 Peel the backing paper from the label and feed it through the liner exit.




- 9 Close the RD Roll compartment top cover by pressing down on the centre, until it clicks into place.




- 10 In order to remove any slack in the roll, lightly pull on the paper fed out of the liner exit until no more can be pulled out.



- 11 Press the  (Power) button to turn the printer on.

## NOTE



If the paper size information for the die-cut labels being used has been registered with the printer, pressing the  (Feed) button will position the label at the correct starting position. For details, see *Registering Paper Size Information With the Printer* on page 9.

- When printing without using the peeling function  
Receipt paper can be installed normally, and printing can be performed without using the peeling function, even if the label peeler is installed.  
For details on loading paper, see *Inserting the RD Roll* on page 15.

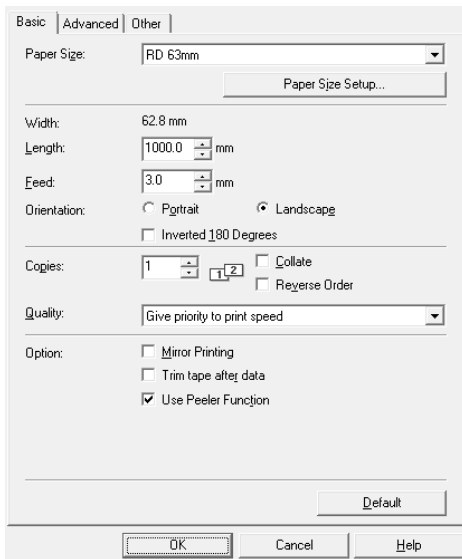
## NOTE

When inserting receipt paper, do not feed the paper through the liner exit.

## Printer Driver Settings

- 1 Display the printer's **[Printing Preferences]** dialog box.
  - **Windows XP**  
Click **[Start]** - **[Control Panel]** - **[Printers and Other Hardware]** - **[Printers and Faxes]**, right-click the printer whose settings are to be changed, and then click **[Printing Preferences]**.
  - **Windows Vista**  
Click  - **[Control Panel]** - **[Hardware and Sound]** - **[Printers]**, right-click the printer whose settings are to be changed, and then click **[Printing Preferences]**.
  - **Windows 7**  
Click  - **[Devices and Printers]**, right-click the printer whose settings are to be changed, and then click **[Printing Preferences]**.
  - **Windows 8**  
Click **[Control Panel]** in the **[Apps]** screen - **[Hardware and Sound]** - **[Devices and Printers]**, right-click the printer whose settings are to be changed, and then click **[Printing Preferences]**.

- 2 Select the **[Use Peeler function]** check box on the **[Basic]** tab.



- 3 Click **[OK]** to close the dialog box.

## After Printing

Printed labels can be automatically peeled off their backing paper before they are fed out of the media exit. Be sure to remove the printed label. If a label remains in the media exit, the next label will not be printed.

Use scissors to cut off the backing paper that is fed out.

### NOTE

With the label peeler, a sensor detects whether or not the label has been peeled off, and controls the appropriate operation. The detection sensitivity of the sensor can be adjusted. For details, see *Sensor Adjustment Tab* on page 37.

## Product Specifications

Size: 108 mm (W) × 130 mm (D) × 28 mm (H)

Weight: 0.062 kg

# 14

## Using the Rechargeable Li-ion Battery/Battery Base (Optional: PA-BT-4000LI/PA-BB-001) (TD-2120N/2130N only)

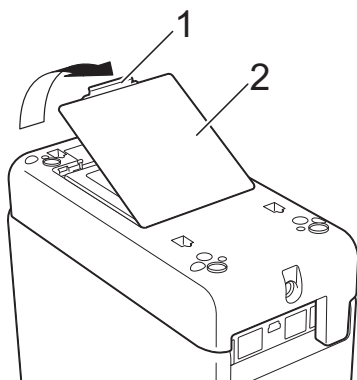
This printer can use either the AC adapter (included) or the rechargeable Li-ion battery (optional). Use the power supply appropriate for your intended use.

With the rechargeable Li-ion battery installed, this printer can be used in locations that do not have AC power.

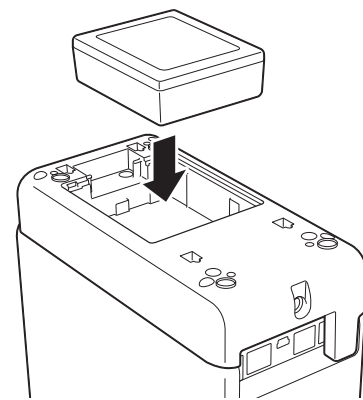
The battery is recharged by the AC adapter when the battery and the battery base are attached to the printer. In addition, if the 4 bay battery charger (optional: PA-4BC-4000) is used, the battery can be recharged without using the printer.

### Installing the Rechargeable Li-ion Battery

- 1 Attach the battery base onto the printer. For details on attaching the battery base (optional), see its instruction manual.
- 2 While pressing in the cover latch (1) at the bottom of the battery base, lift up the battery cover (2).



- 3 Pull up the cover in the same direction that the cover latch was pressed, and then remove the cover.
- 4 Insert the rechargeable Li-ion battery into the battery compartment.



- 5 Confirm that the hooks on the edge of the battery cover are inserted correctly, and then reattach the cover. Press down on the battery cover until it snaps into place, indicating that the cover latch is secured.

#### NOTE

The voltage supplied by the rechargeable Li-ion battery fluctuates. The printing speed may also fluctuate depending on the voltage.

## Removing the Rechargeable Li-ion Battery

Follow the procedure for installing the rechargeable battery to remove the battery cover, and then remove the battery and reattach the cover.

### CAUTION

If it is difficult to remove the rechargeable battery, turning the printer over with the battery cover removed may allow the rechargeable battery to fall out. Be careful that this does not cause any injuries.

## Charging the Rechargeable Li-ion Battery

The rechargeable Li-ion battery can be charged while it is installed in the printer.

The battery is recharged when the AC adapter is used while the battery as well as the battery base are attached to the printer. In addition, if the 4 bay battery charger (optional) is used, the battery can be recharged without using the printer.

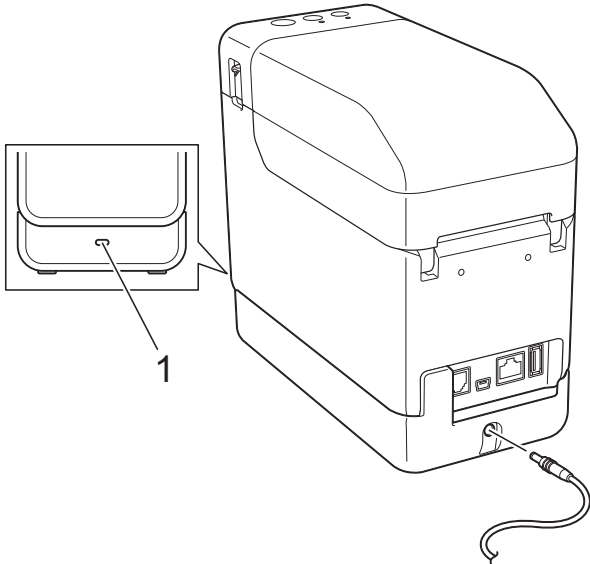
The procedure for charging using the AC adapter is described here. To charge using the 4 bay battery charger (optional), refer to the instruction manual for the optional equipment.

### NOTE

- Up to 5 hours is needed to fully charge a rechargeable Li-ion battery.
- You can print about 200 m using a new, fully charged battery. (Tested at 23 °C using Brother's print test data (58 mm, 9 % coverage) when connected by USB.)
- Before using the rechargeable Li-ion battery, use the following procedure to charge it.

- 1 Make sure that the rechargeable Li-ion battery and the battery base are installed on the printer.

- 2 Use the AC adapter and AC power cord to connect the printer to an AC power socket.



#### 1 Battery indicator

The battery indicator lights in orange during charging.

When the rechargeable Li-ion battery is fully charged, the battery indicator turns off.

#### NOTE

If the printer is turned on with the rechargeable Li-ion battery installed and the AC adapter is connected to an AC power socket, the battery will be recharged. However, when the printer is turned on, even after the rechargeable battery has been charged, the battery charge will be used, leaving the battery with less than a full charge the next time the printer is used. We recommend leaving the printer turned off while charging the battery.

#### Stopping Rechargeable Li-ion Battery Charging

To stop the rechargeable Li-ion battery from charging, disconnect the AC power cord from the power connector of the printer.

## Tips on Using the Rechargeable Li-ion Battery

- Charge the rechargeable Li-ion battery as soon as possible after it is purchased. Since the battery is sold with the minimum charge necessary, the initial charge may have been depleted. To prevent deterioration, we recommend charging the battery immediately.
- Charge the rechargeable Li-ion battery by plugging the printer into an AC power socket or by using the adapter included with the 4 bay battery charger.
- Darker prints discharge the rechargeable Li-ion battery faster than lighter prints. Adjust the print density setting in the printer driver's dialog box or in the "**Printer Setting Tool**". (See *Print Density* on page 36)
- The rechargeable Li-ion battery can be charged in an environment between 5 °C to 40 °C. Charge the rechargeable Li-ion battery in an environment within this temperature range. If the surrounding temperature is out of this range, the rechargeable Li-ion battery will not be charged, and the battery indicator will remain lit. In this case, the battery indicator does not accurately show whether the battery is being charged. Charging restarts when the environment returns to within the specified temperature range. When 5 hours have passed since charging started, the battery indicator turns off and charging stops even if the rechargeable Li-ion battery has not been fully charged.

## Rechargeable Li-ion Battery Characteristics

Understanding the properties of the rechargeable Li-ion battery will allow you to optimise its usage.

- Using or storing the rechargeable Li-ion battery in a location exposed to high or low temperatures may accelerate its deterioration. In particular, using a rechargeable Li-ion battery with a high charge (charged 90% or more) in a location exposed to high temperatures will considerably accelerate battery deterioration.
- Using the printer while the rechargeable Li-ion battery is installed and being charged may accelerate the battery's deterioration. When using the printer with the rechargeable Li-ion battery installed, disconnect the AC adapter.
- If the printer will not be used for a long period of time, remove the rechargeable Li-ion battery from the printer when its charge is 50% or less, and then store the battery in a cool place away from direct sunlight.
- If the rechargeable Li-ion battery will not be used for a long period of time, we recommend charging it every 6 months.
- For other precautions, refer to the instruction manual included with the rechargeable Li-ion battery.

## Battery Level of the Rechargeable Battery

The following number of pages can be printed, depending on the battery level.

Battery level: Full	Approximately 1 roll
Battery level: Half	Approximately 1/2 roll
Battery level: Low	Printing cannot be guaranteed.
Requires charging	Further use of the printer may cause it to run out of power, even while printing.

- Tested at 23 °C using Brother's print test data 58 mm × 200 m (656.2 ft) (1 roll), 9 % coverage
- During continuous printing when connected by USB and using a new, fully charged battery

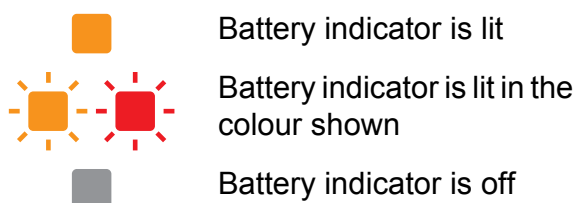
However, the details listed above cannot be guaranteed since they differ depending on printing condition, operating environment and battery deterioration.








## Battery Indicator

The battery indicator on the battery base lights and blinks to indicate the charging status.

The following symbols are used in this section to show the different battery indicator colours and patterns.



Battery indicator	Description
 (Once every 4 seconds)	Rechargeable battery power (Battery level: Half)
 (Twice every 4 seconds)	Rechargeable battery power (Battery level: Low charge)
 (Once every second)	Rechargeable battery power (Requires charging)
	Charging
	Rechargeable battery power (Battery level: Full charge) Finished charging

## Product Specifications

### Rechargeable Li-ion Battery

Size: 86.0 mm (W) × 74 mm (D) × 32 mm (H)

Weight: 0.240 kg

Voltage: 14.4 V

Capacity: 1800 mAh

Charging/discharging cycle: Approximately 300 times

Charging time:

- Approximately 5 hours when charged by printer

- Approximately 3 hours when charged by a 4 bay battery charger (PA-4BC-4000)  
(Charging current: 1000 mA, Charging voltage: 16.4 V)

Performance: Approximately 200 m can be printed if a new, fully charged battery is used.

(Tested at 23 °C using Brother's print test data (58 mm, 9% coverage) when connected by USB.)

### Battery Base

Size: Approximately 110 mm (W) × 210 mm (D) × 65 mm (H)

Weight: 0.303 kg

Charging current: 1000 mA

Charging voltage: 16.4 V

**brother**