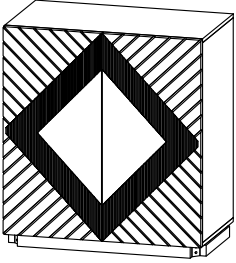
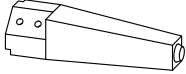
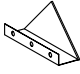
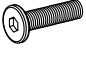


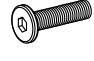



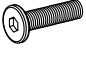


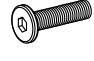



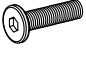


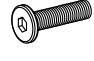





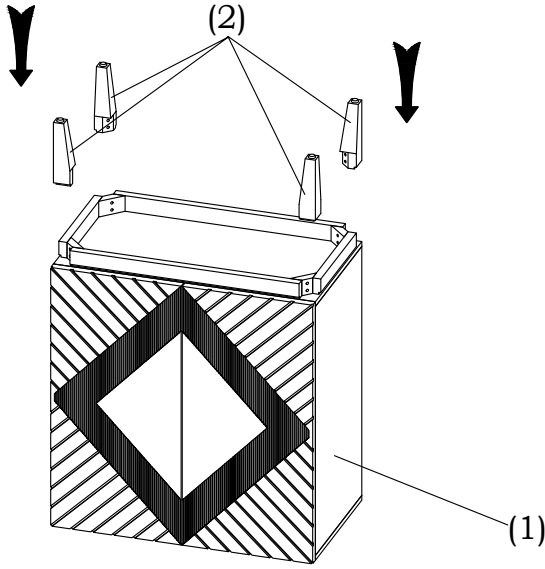
ITEM NAME/NOM D'ITEM: HIRA CABINET
ITEM # /NO. ITEM: 110799

PARTS LIST/LISTE DES PIÈCES

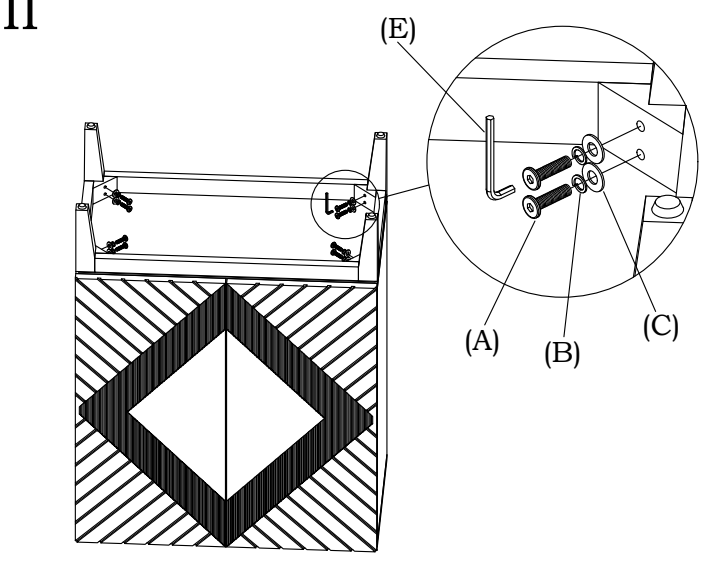
<p>(1)</p>  <p>x1</p>	<p>(2)</p>  <p>x4</p>	<p>(3)</p>  <p>x2</p>	<p>(4)</p> <table border="0"> <tr> <td data-bbox="794 427 879 577"> <p>A.</p>  <p>2" x 5/16"</p> <p>x8</p> </td> <td data-bbox="914 427 975 577"> <p>B.</p>  <p>5/16"</p> <p>x8</p> </td> <td data-bbox="1026 427 1086 577"> <p>C.</p>  <p>5/16"</p> <p>x8</p> </td> <td data-bbox="1121 427 1214 577"> <p>D.</p>  <p>1/2" x 1/4"</p> <p>x6</p> </td> <td data-bbox="1249 427 1310 577"> <p>E.</p>  <p>5 mm</p> <p>x1</p> </td> <td data-bbox="1345 427 1406 577"> <p>F.</p>  <p>3 mm</p> <p>x1</p> </td> <td data-bbox="1441 387 1517 577"> <p>G.</p>  <p>Furniture Tipping Restraint</p> <p>x1</p> </td> </tr> </table>	<p>A.</p>  <p>2" x 5/16"</p> <p>x8</p>	<p>B.</p>  <p>5/16"</p> <p>x8</p>	<p>C.</p>  <p>5/16"</p> <p>x8</p>	<p>D.</p>  <p>1/2" x 1/4"</p> <p>x6</p>	<p>E.</p>  <p>5 mm</p> <p>x1</p>	<p>F.</p>  <p>3 mm</p> <p>x1</p>	<p>G.</p>  <p>Furniture Tipping Restraint</p> <p>x1</p>
<p>A.</p>  <p>2" x 5/16"</p> <p>x8</p>	<p>B.</p>  <p>5/16"</p> <p>x8</p>	<p>C.</p>  <p>5/16"</p> <p>x8</p>	<p>D.</p>  <p>1/2" x 1/4"</p> <p>x6</p>	<p>E.</p>  <p>5 mm</p> <p>x1</p>	<p>F.</p>  <p>3 mm</p> <p>x1</p>	<p>G.</p>  <p>Furniture Tipping Restraint</p> <p>x1</p>				

ASSEMBLY INSTRUCTIONS/INSTRUCTIONS D'ASSEMBLAGE

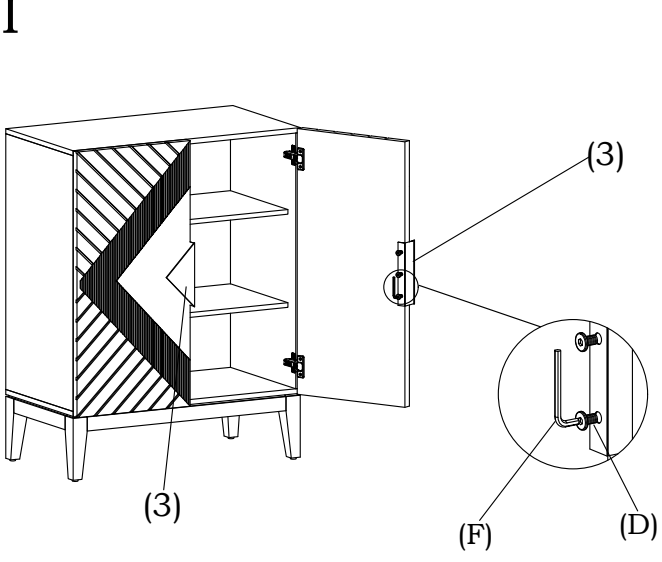
I



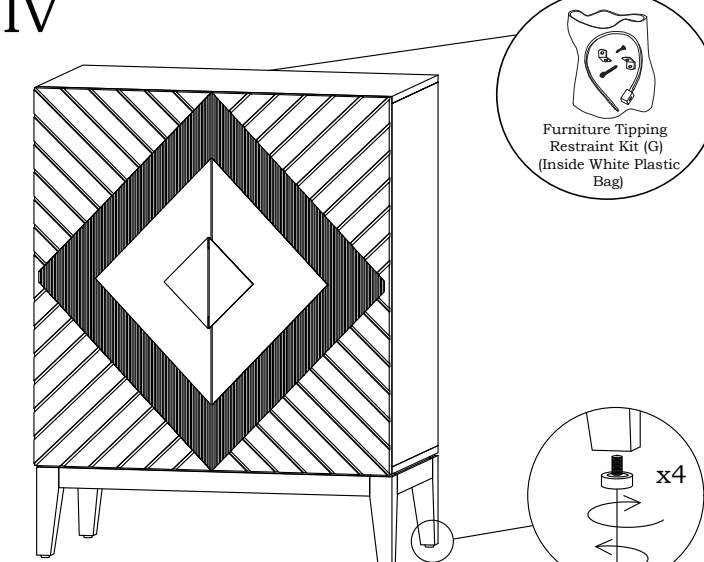
II



III



IV



For missing parts or damaged parts, please call /
 Pour pièce manquante ou endommagée, veuillez appeler:

USA, Canada and Mexico: (866)-798-6663