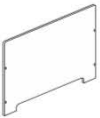

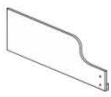











ASSEMBLE INSTRUCTION

					
①	②	③	④	⑤	⑥
					
⑦x2	⑧x8	⑨	ax8	bx8	cx20

