

Dear Customer

Thank you for your order. We hope that you have received your furniture in the pristine condition that we sent it out in.

In the unfortunate event that your order was mishandled during transit, please contact us to let us know the extent of the damages so we can resolve for you as soon as possible.

If replacement parts are required, please email us with images and the part number referenced in this manual and we will have a replacement sent out right away.

We can be reached by the following email: cs@egtrading.co.uk.

Please include the full name and postcode used to place the order in your email so we can locate your order in our systems.

Alternatively, we can be reached by phone (Mon – Fri) on: 0161 401 6140.

The Customer Satisfaction Team

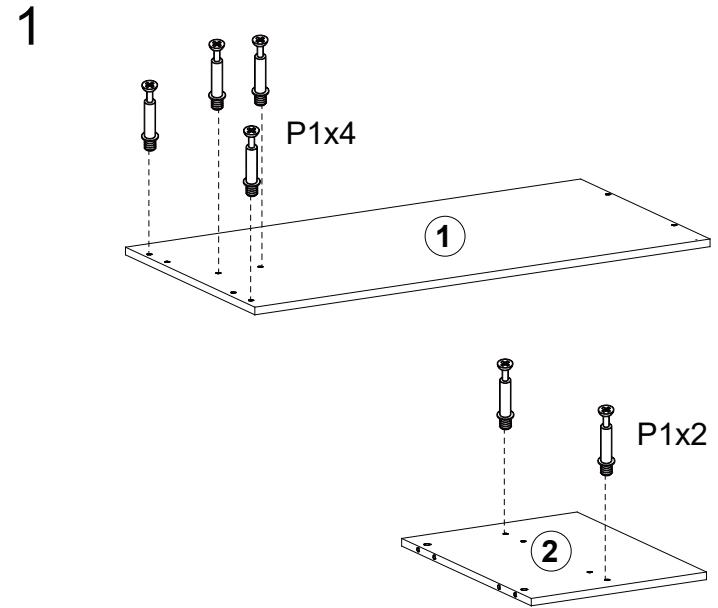
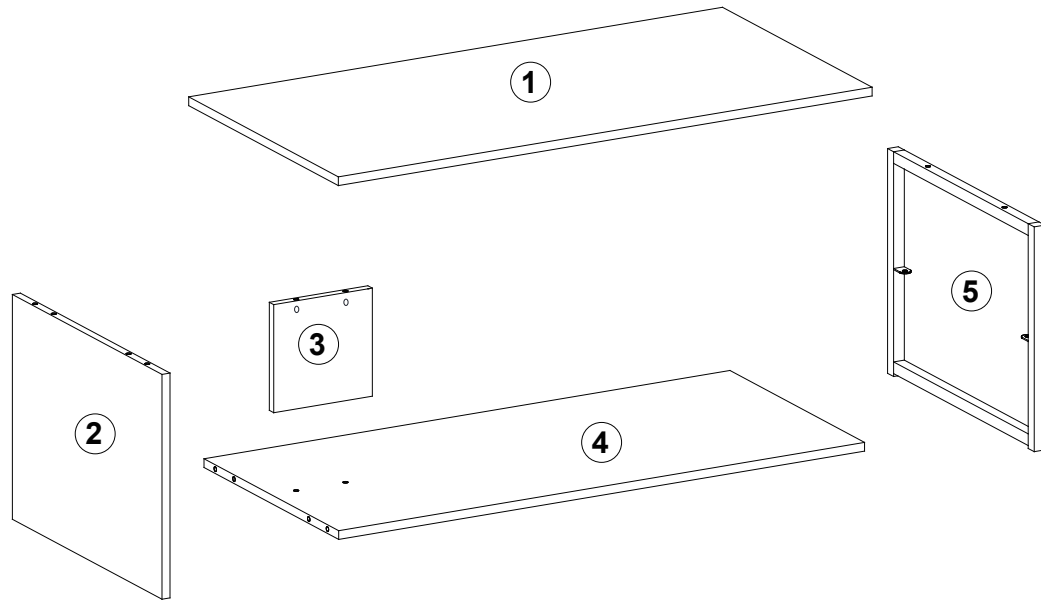
ASSEMBLING INSTRUCTIONS

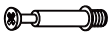



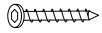

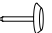

 easygift_products

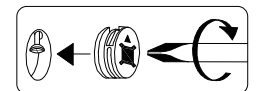
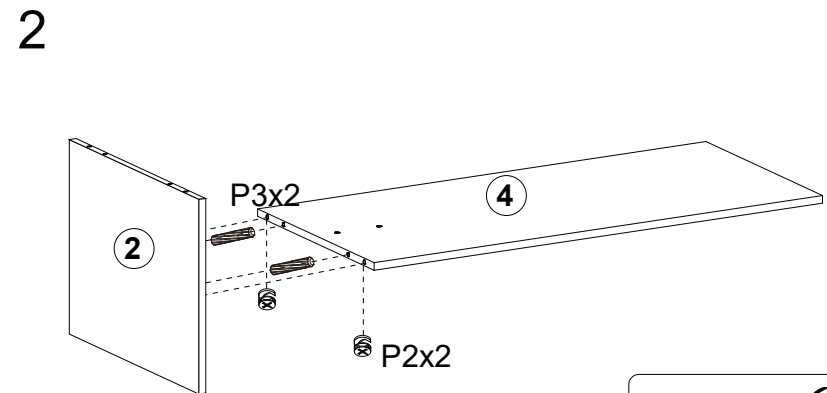
 easygiftproducts

 easygiftproducts.co.uk

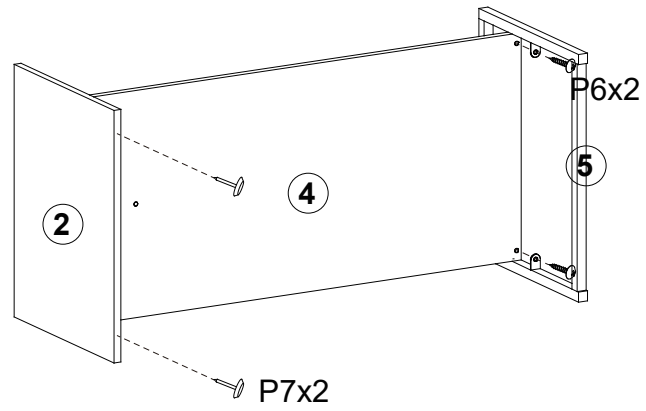




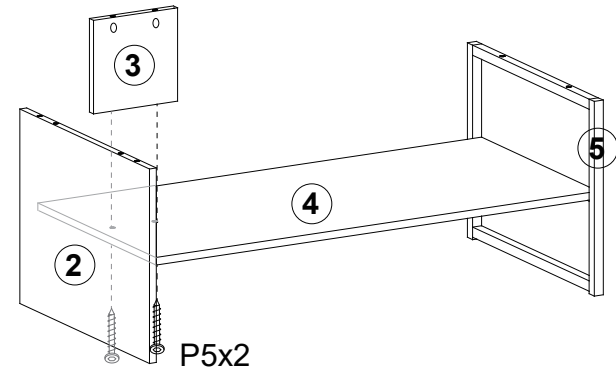
P1			6PCS
P2			6PCS
P3		M8x30mm	4PCS
P4		M6x30mm	2PCS
P5		M5x40mm	2PCS
P6		M4x12mm	2PCS
P7			2PCS
P8			1PC



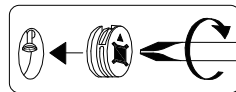
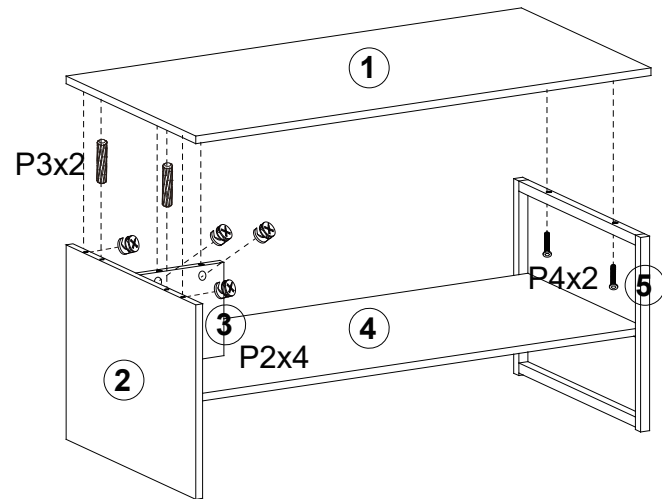
3



4



5



6

