

Dear Customer

Thank you for your order. We hope that you have received your furniture in the pristine condition that we sent it out in.

In the unfortunate event that your order was mishandled during transit, please contact us to let us know the extent of the damages so we can resolve for you as soon as possible.

If replacement parts are required, please email us with images and the part number referenced in this manual and we will have a replacement sent out right away.

We can be reached by the following email: cs@egtrading.co.uk.

Please include the full name and postcode used to place the order in your email so we can locate your order in our systems.

Alternatively, we can be reached by phone (Mon – Fri) on: 0161 401 6140.

The Customer Satisfaction Team

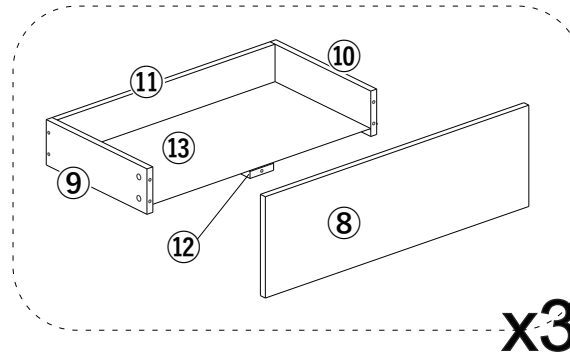
ASSEMBLING INSTRUCTIONS

 easygift_products

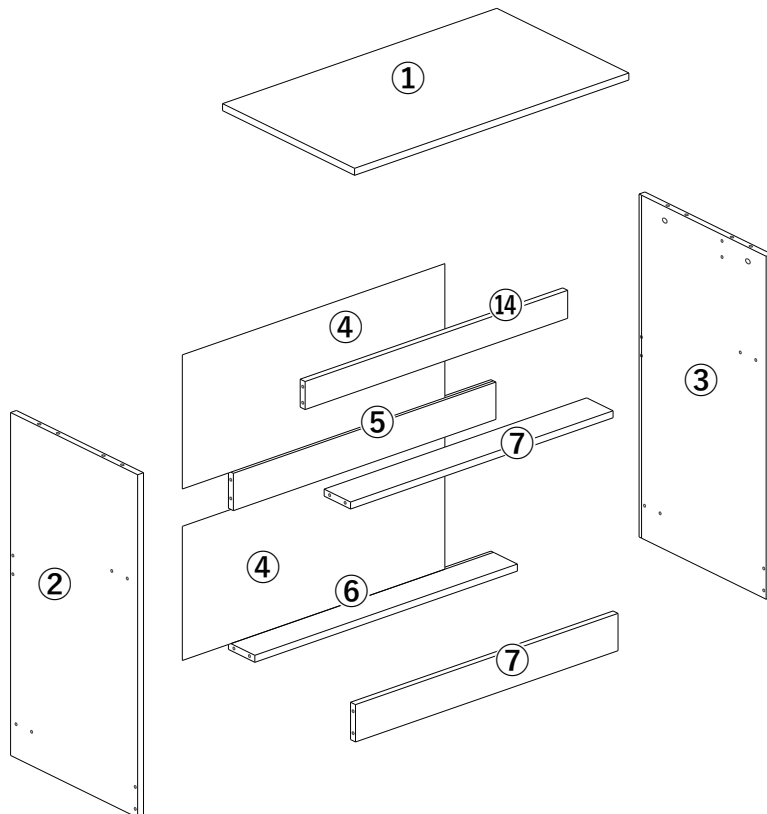
 easygiftproducts

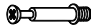

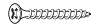



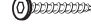







 easygiftproducts.co.uk



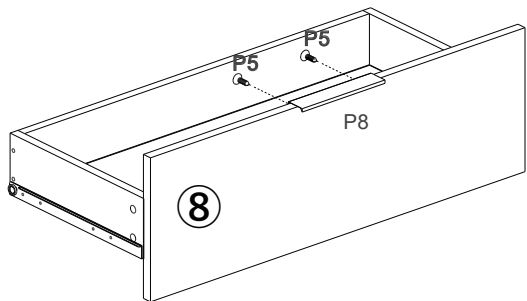


x3



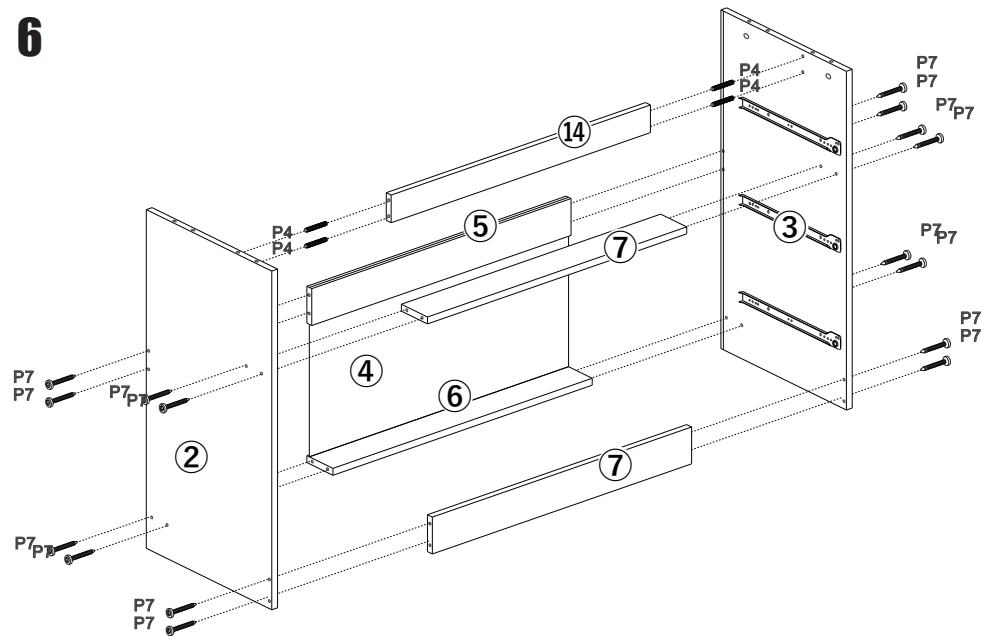
P1		19 PCS
P2		19 PCS
P3	 M4X35mm	20 PCS
P4	 M8x30mm	8 PCS
P5	 M3.5x12mm	44 PCS
P6	 CL DL DR CR	3 SETS
P7	 M5x40mm	16 PCS
P8		3 PCS
P9		16 PCS
P10		1 PC
P11		4 PCS
P12		2 PCS
P13		4 PCS
P14		2 PCS

5

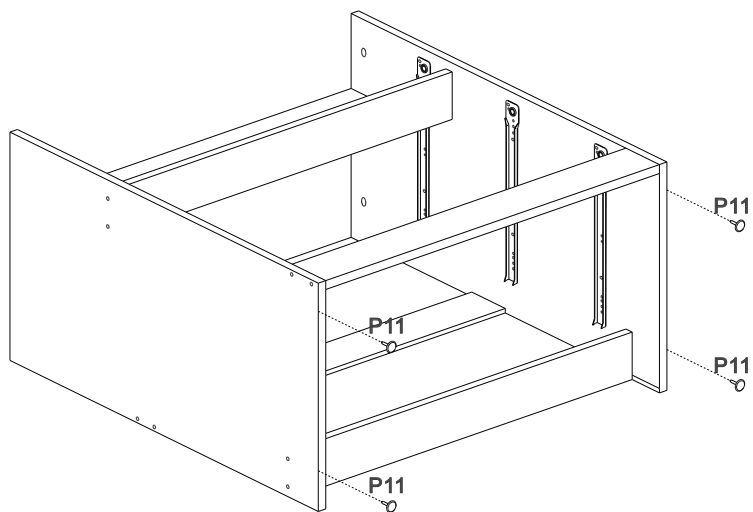


x3

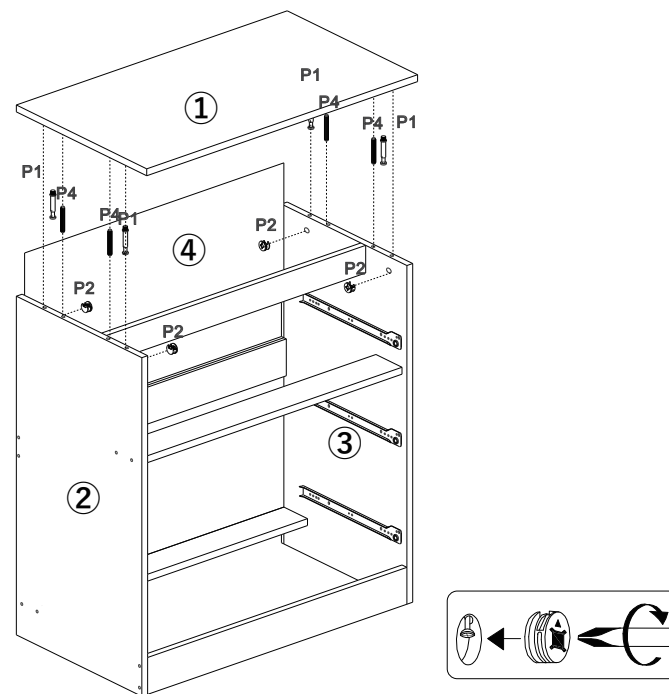
6



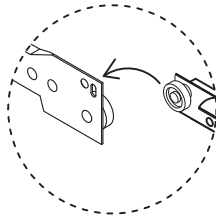
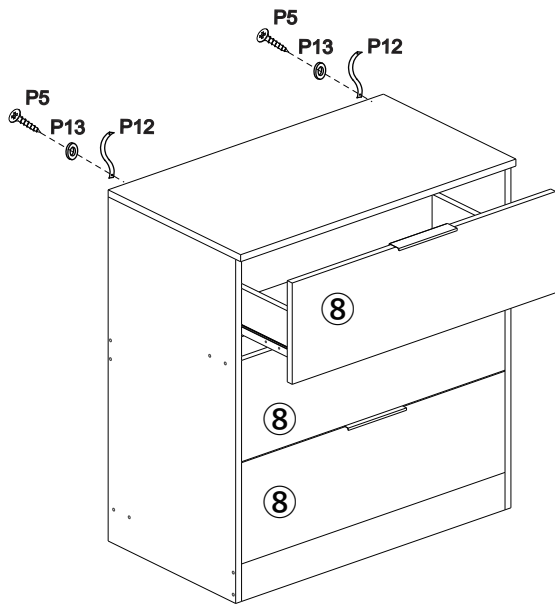
7



8



9



10

