

For using VST-14.

Before operating your VST-14, please read this manual thoroughly and remain it for future reference.

NIPPON VIDEO SYSTEM accepts no liability whatever for incidental damages arising out of the use or inability to use the product, including, but not limited to, damage to the camera, etc., corruption or loss of data, lost business revenue or suspension of business operations.

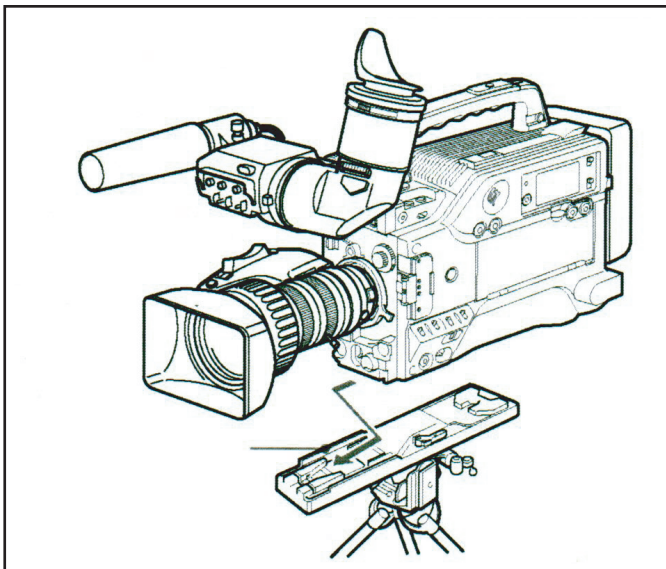
NIPPON VIDEO SYSTEM accepts no liability whatever for damages arising from improper use not conforming to the instructions in the instruction manuals.

■ Use

1. Mount the camera to a tripod

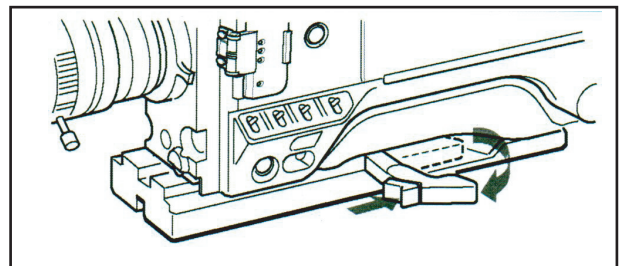
Mount the camera to a tripod using the tripod adaptor VST-14.

Attach the tripod adaptor to the tripod with the screw.
Place the camera on the tripod adaptor and slide it forward along the groove of the tripod adaptor until it clicks.

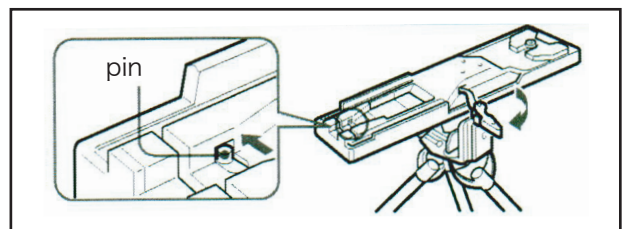


2. To remove the camera from the tripod adaptor

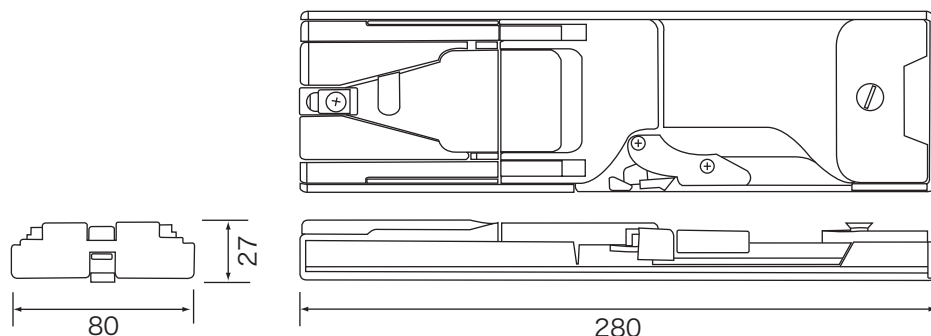
Hold down the red button and pull the lever in the direction of the arrow.



Caution :
After removing the camera, if the pin of the tripod adaptor does not return to its original position, hold down the red button and move the lever in the direction of the arrow to return the pin to its original position. It is not possible to mount a camera with the pin not seated.



■ Dimensions



■ Specifications

Application	Sony Camera, Camcorder
Dimensions (WxHxD)	80 x 27 x 280 mm
Weight	approx. 680 g

NOTE Features, design and specifications are subject to change without notice.