

For using STF-10.

Before operating your STF-10, please read this manual thoroughly and remain it for future reference.

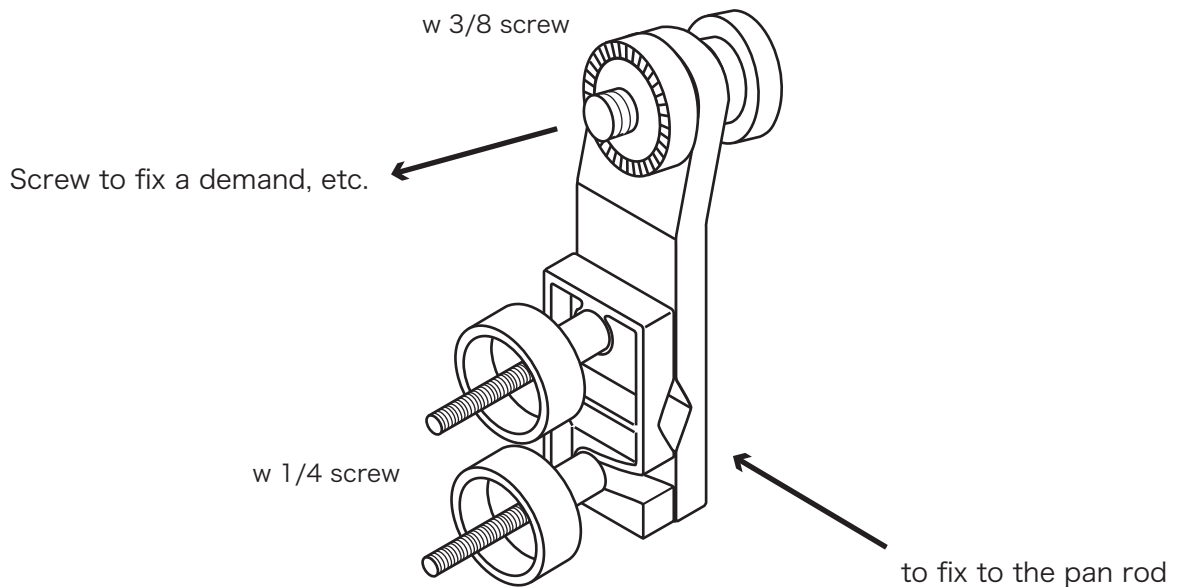
PROTECH accepts no liability whatever for incidental damages arising out of the use or inability to use the product, including, but not limited to, damage to the camera, etc., corruption or loss of data, lost business revenue or suspension of business operations.

PROTECH accepts no liability whatever for damages arising from improper use not conforming to the instructions in the instruction manuals.

■ Features

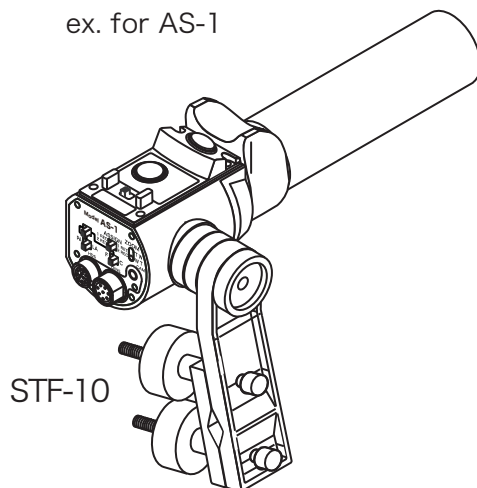
- STF-10 enables to fix the remote controller such as focus demand, zoom demand, etc. on the pan rod of a tripod.

■ Dimensions/Parts Names and Functions



■ Installation/Use

ex. for AS-1



ex. for RM-S1

