

For using ST-7R.

Please read this manual thoroughly before operating the unit.

NIPPON VIDEO SYSTEM accepts no liability whatever for incidents to use the product, including, but not limited to, damage to the business revenue or suspension of business operations.

NIPPON VIDEO SYSTEM accepts no liability whatever for damages arising from improper use not conforming to the instructions in the instruction manuals.

damages arising out of the use or inability to use the camera, etc., corruption or loss of data, lost

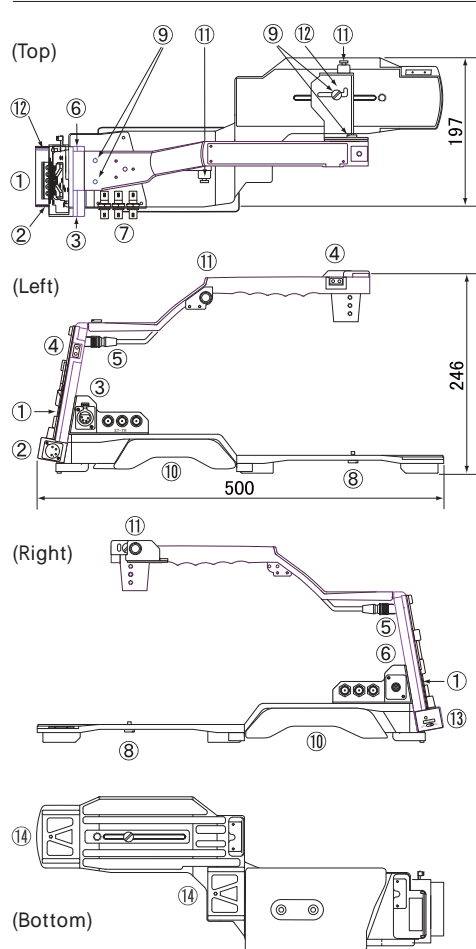
rising from improper use not conforming

■ Features

ST-7R is applicable for Panasonic AG-DVX200.

ST-7R can be directly attached to an existing tripod adaptor.

■ Dimensions / Parts name and functions



- ① V-mount battery holder
Used to connect a V-mount battery.
- ② DC 12V IN connector : XLR 4P(male)
Used for connection to a DC power supply to supply power to ST-7R.
The DC 12V IN has priority over the battery.
- ③ DC 12V OUT connector : XLR 4P(female)
Outputs the battery or DC 12V IN input voltage as is.
- ④ DC 12V OUT connectors : CAMTAP × 2
Output the battery or DC 12V IN input voltage as is.
DC 12V OUT XLR 4P and CAMTAP are equipped with the overcurrent limit circuit.

DC 12V OUT Power Output ③④ Total MAX. 3A

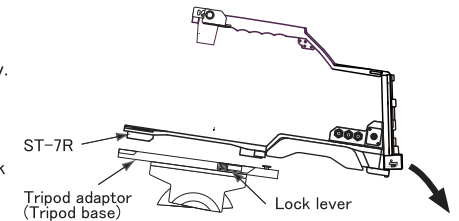
- ⑤ DC 12V connector : MINI 4P for the CAMTAP (on the handle)
Connected to the CAMTAP at the side of the handle tip.
- ⑥ DC 12V/8.4V OUT connector : MINI 4P for the DC power supply to the camera
DC 12V OUT MAX. 2A / DC 8.4V OUT MAX. 2A
Outputs the regulated DC 12V and 8.4V.
This circuit is protected by the overcurrent limit circuit (overcurrent prevention circuit).
Even if DC 12V OUT XLR 4P connector or CAMTAP is shorted accidentally, MINI 4P(female) can supply continuously the DC 12V and 8.4V power to the camera.
- ⑦ BNC connectors : BNC-BNC joint connector
- ⑧ Camera mount screw : 1/4" screw with Pin(Stopper)
- ⑨ Handle fixation screws : 1/4" screw
- ⑩ Shoulder pad : Just fit shoulder pad
- ⑪ Shoulder belt fitting post
- ⑫ Handle fitting bracket
- ⑬ POWER switch and LED
- ⑭ Tripod mounting bracket (Tripod adaptor plate)

■ Caution

When the ST-7R is attached to the camera system, if the camera is held only with the camera handle or grip or the ST-7R, it might be damaged mechanically.

When mounting the camera with ST-7R to a tripod, please carefully check that the camera is securely locked to the tripod adaptor(tripod base).

The mistaken operation of the lock lever or the work at the unlocked state may cause a serious accident such as dropping of the camera. Please be careful.



■ Installation

1. Attach ST-7R to the camera, AG-DVX200, and temporarily tighten the camera screw.

① Tighten the camera screw(1/4") temporarily.

2. Attach the handle of ST-7R to the screw holes of the top of ST-7R and the top of the handle of AG-DVX200, and temporarily tighten four screws.

② Temporarily attach two handle fixation screws.
③ Attach the handle fitting fixation screw and the camera handle fixation screw and adjust the position of a camera and the handle fitting.

3. After the camera has been installed in place, tighten five screws to fix the camera and the handle of ST-7R.

(Caution)
Tighten well the screws with coin or the like. Be careful not to tighten the screws too hard. Doing so may cause damage to the camera.

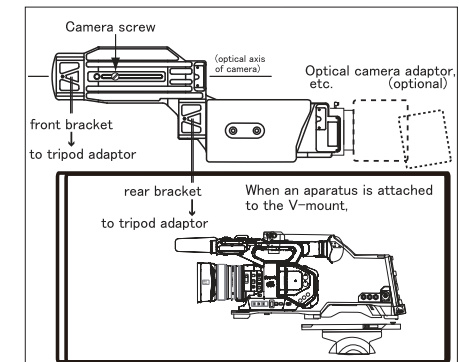
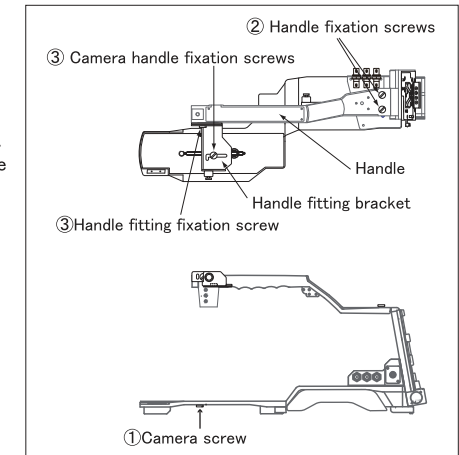
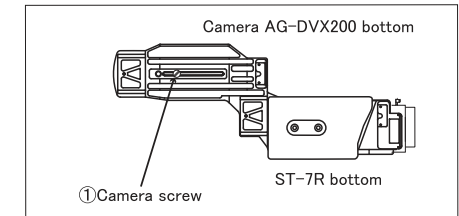
4. ST-7R can be mounted to the existing tripod adaptor directly.

ST-7R is equipped with two tripod mounting brackets (tripod adaptor plates), which are in the front and rear.

When mounting it to a tripod adaptor, select a mounting bracket of the front or the rear by the weight balance of the apparatus.

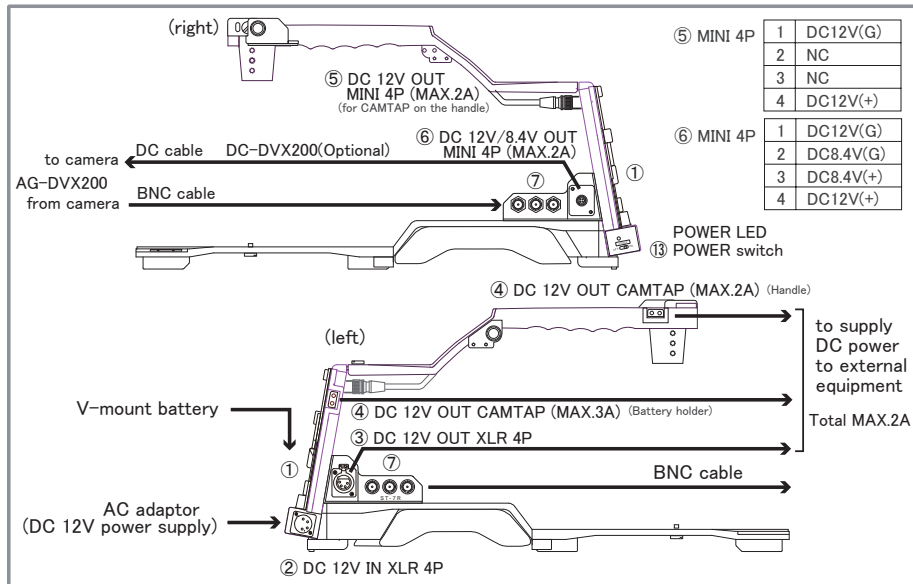
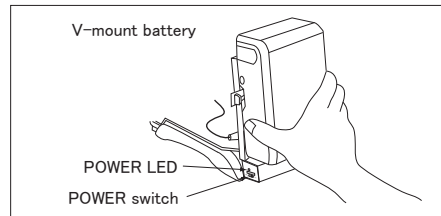
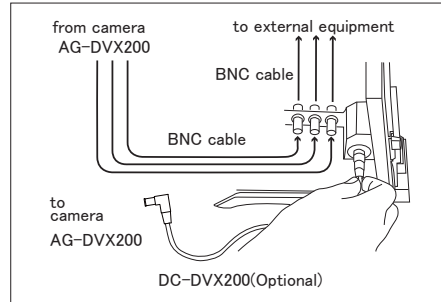
In the case of the front mounting bracket:
The optical axis of the camera accords with the center of the tripod.

In the case of the rear mounting bracket:
When the apparatuses such as optical camera adaptors are attached to the V-mount of the back and the center of gravity moves backward, it is recommended that the rear mounting bracket is used.



■ Connection

1. To supply the DC power to AG-DVX200 from ST-7R, connect them with the DC cable DC-DVX200(optional).
2. The BNC cables from AG-DVX200 can be connected to the BNC-BNC joint connectors.
3. Attach a V-mount type battery pack to the V-mount battery holder of ST-7R.
4. Turn on the POWER switch of ST-7R. The POWER indicator LED lights up and the DC power is supplied to the camera and the external equipment.



3

■ Specifications

Specifications			
Input/Output	DC Input	DC 12V IN : XLR 4P(male) × 1	
		Battery : V-mount battery holder × 1	
	DC Output	* 1 DC 12V OUT : XLR 4P(female) × 1	Total MAX. 3 A
		* 2 DC 12V OUT : CAMTAP × 2 Handle Battery holder	
* 3 DC 12V OUT : MINI 4P × 1 for camera DC 12 V MAX. 2 A DC 8.4 V MAX. 2 A		Total DC power output : MAX. 50 W	
General	BNC connector	BNC-BNC joint connector × 3	
	1/4" Camera screw	Camera mount screw with Pin(Stopper) × 1 Handle fixation screw × 4	
	Shoulder pad	Just fit shoulder pad	
	Operating temperature	0°C to 40°C	
	Storage temperature	-20°C to 60°C	
	Dimensions	197 × 246 × 500mm (W × H × D)	
	Weight	approx. 2.1 kg	
Accessories	Operating instructions		

- * 1 DC 12V OUT/XLR 4P outputs the battery or DC 12V IN input voltage as is.
- * 2 DC 12V OUT/CAMTAP outputs the battery or DC 12V IN input voltage as is.
DC 12V OUT/XLR 4P and CAMTAP outputs are equipped with the overcurrent limit circuit.
- * 3 DC 12V OUT/MINI 4P outputs the regulated DC 12V and 8.4V.
This circuit is protected by the overcurrent limit circuit.
Even if DC 12V OUT XLR 4P or CAMTAP is accidentally shorted,
MINI 4P (female) connector can continuously supply the DC 12V and 8.4V power to the camera.

NOTE Features, design and specifications are subject to change without notice.

■ Option

DC-DVX200 : DC cable for Panasonic AG-DVX200
VST-14 : Tripodd adaptor
BLT-7 : Shoulder belt

4