

For using ST-1.
Please read this manual thoroughly before operating the unit.

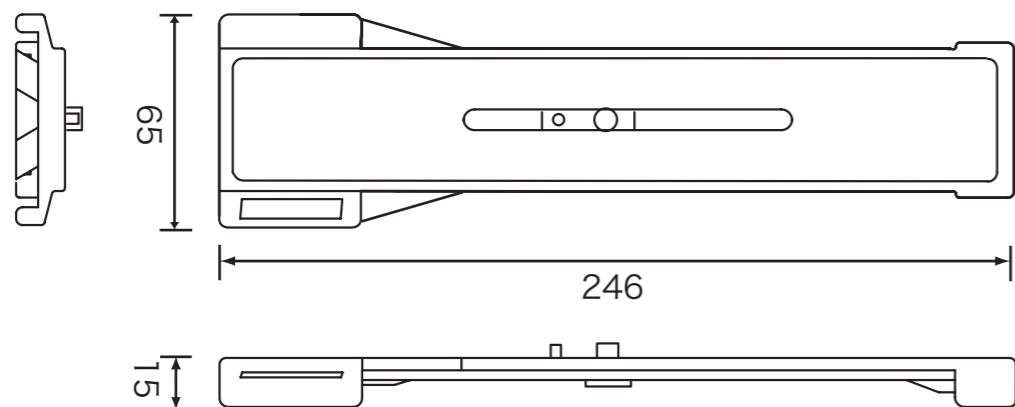
NIPPON VIDEO SYSTEM accepts no liability whatever for incidental damages arising out of the use or inability to use the product, including, but not limited to, damage to the camera, etc., corruption or loss of data, lost business revenue or suspension of business operations.

NIPPON VIDEO SYSTEM accepts no liability whatever for damages arising from improper use not conforming to the instructions in the instruction manuals.

■ Features

- Used to fix a handy camera/camcorder to a tripod adaptor/tripod base.
- Easy operation to mount the camera/camcorder to a tripod and remove the camera/camcorder from the tripod.
- Light and strong die-casting chassis.

■ Dimensions (Unit : mm)



■ Specifications

Weight	approx. 210 g
Dimensions (W x H x L)	65 x 15 x 246 mm
Supplied accessories	w3/8-w1/4 Screw adaptor* x 1 w1/4 Camera screw x 1 Washer x 2 Operating Instructions

* Used for a camera with the w3/8 screw hole.

NOTE Features, design, and specifications are subject to change without notice.

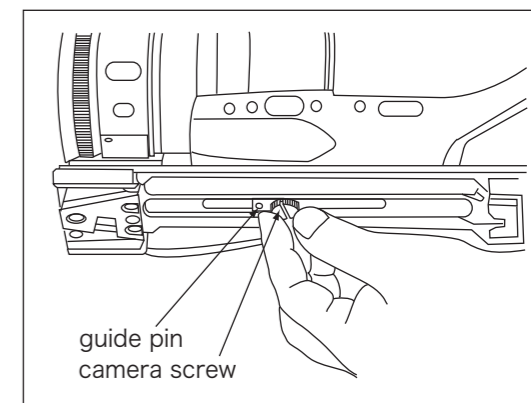
20190205

■ Installation

Use the ST-1 resetting the camera screw and/or the screw adaptor according to the screw hole of your camera/camcorder.

In case of a camera/camcorder which has one screw hole with the guide pin hole.

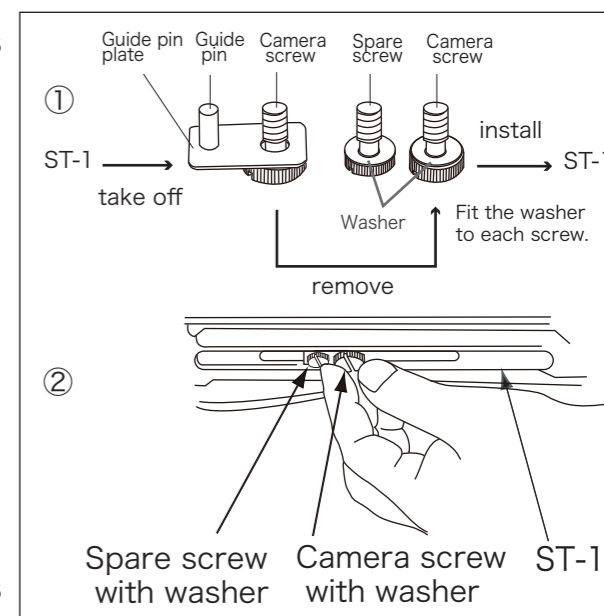
Fix the ST-1 into the screw hole and guide pin hole of the camera/camcorder and tighten the screws.



In case of a camera/camcorder which has two screw holes(w1/4 x2).

① Take off the guide pin plate from the ST-1 loosening the camera screw and remove the camera screw from the guide pin plate. Fit the washers(supplied) to the spare screw (supplied) and the camera screw.

② Install the screws with the washers to the ST-1 and fix the ST-1 into the screw holes of a camera/camcorder with the two screws.



In case of a camera/camcorder which has two screw holes(w3/8 and w1/4).

Screw the w3/8 - w1/4 screw adaptor to the w3/8 screw hole of the camera/camcorder. Fix the ST-1 into the screw holes of the camera/camcorder with the two screws and tighten the screws.

Install the camera/camcorder with ST-1 to a tripod base/tripod adaptor.

Caution

Please make sure that the lock lever of a tripod base is locked tightly. The loose lock lever might cause a drop of the installed camera/camcorder.

