

For using RM-S1.

Before operating your RM-S1, please read this manual thoroughly and keep it for future reference.

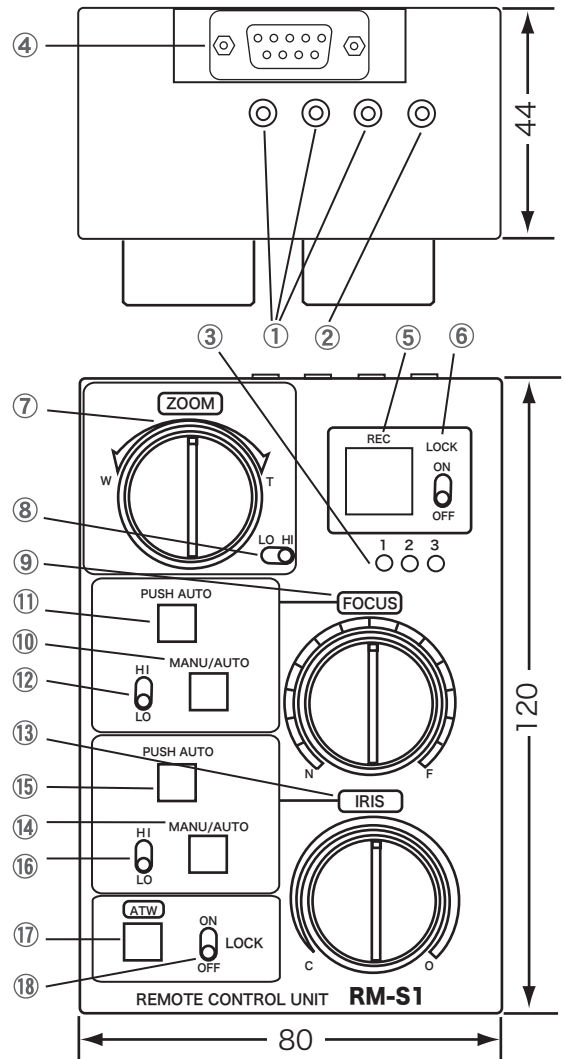
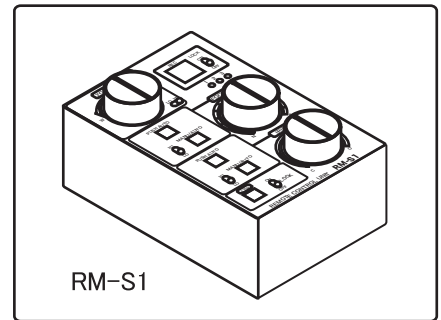
ACEBIL accepts no liability whatever for incidental damages arising out of the use or inability to use the product, including, but not limited to, damage to the camera, etc., corruption or loss of data, lost business revenue or suspension of business operations.
ACEBIL accepts no liability whatever for damages arising from improper use not conforming to the instructions in the instruction manuals.

■ Features

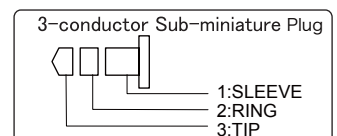
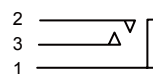
- Supports the SONY or CANON handy video camera.

■ Parts Names and Functions/Outsideview and Dimensions

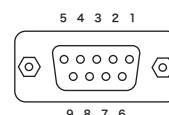
- ①(LANC Connector 1/2/3) 3 × 3-conductor Sub-miniature Jack
Connect to the LANC connector of the camera. Able to connect to up to three cameras. Even if the camera is connected to any 1-3 connector, all cameras function the same at the same time.
- ②(Connector 4 : LANC 1 series output) 1 × 3-conductor Sub-miniature Jack
Used for connection to other LANC remote controller, which can control only the camera connected to the LANC connector 1. The remote controller which can connect to this connector is RM-S1.
- ③(ACCESS)1/2/3 LED Camera Connection Indication LED
Lights up on the connection to a camera with the LANC connector 1/2/3 each. When it becomes the tape near end or the low battery during recording, the LED goes on and off.
- ④(Connector) 1 × D-sub 9-pin Connector
This is connected to the Connector 1/2/3/4 in parallel. The connection with the camera is enabled by the cable of the D-sub 9-pin connectors. But do not be connected with the LANC connector 1/2/3/4.
- ⑤REC Button REC Start/Stop switch
- ⑥LOCK ON/OFF REC button lock switch
When the LOCK switch is ON, the REC button does not function.
- ⑦ ZOOM W/T Knob W = zoom to Wide angle / T = zoom to Tele
Turning the knob to zoom the camera zoom lens. The zooming speed varies according to the rotating angle of the knob.
- ⑧ LO/HI Switch Zoom speed select switch HI =High speed /LO =Low speed
- ⑨ FOCUS N/F Knob N = Near / F = Far
Adjust the focus of the camera lens.
- ⑩ AUTO/MANU Select Switch
Select the focusing function AUTO or MANUAL
AUTO=Automatically the camera lens focuses.
MANU=Adjustments by the FOCUS knob, the CONTROL knob and NEAR LIMIT knob are enabled.
- ⑪ PUSH AUTO Button
While the button is pressed, the autofocus of the camera lens functions.
- ⑫ HI/LO Switch Focus speed select switch HI =High speed /LO =Low speed
- ⑬ IRIS C/O Knob C = CLOSE / O = OPEN
Adjust the iris of the camera lens.
- ⑭ AUTO/MANU Select Switch
AUTO=Automatically the camera lens iris.
MANU=Adjustments by the IRIS knob, the CONTROL knob and CLOSE LIMIT knob are enabled.
- ⑮ PUSH AUTO Switch
While the button is pressed, the autoiris of the camera lens functions.
- ⑯ HI/LO Switch Iris adjust speed select switch HI =High speed /LO =Low speed
- ⑰ ATW Switch Pressing the button selects the auto white balance ON or OFF.
- ⑱ LOCK ON/OFF Switch When the LOCK switch is ON, the ATW button does not function.



3-conductor Sub-miniature Jack



D-sub 9-pin Connector Pin Assignment

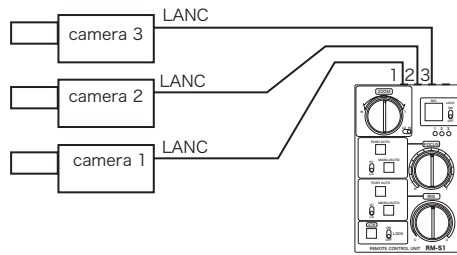


1	GND	SLEEVE (1~4)
2	Connector 1	RING
3	Connector 1	TIP
4	Connector 2	RING
5	Connector 2	TIP
6	Connector 3	RING
7	Connector 3	TIP
8	Connector 4	RING
9	Connector 4	TIP

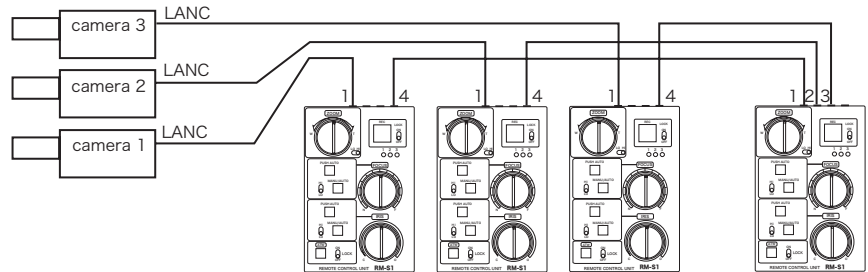
Attention: This product performs the remote control such as camera lenses by each operation, but it may not support some of functions of the camera to use. Because this product does not have a function to display answerback about the operating conditions of each apparatus, please confirm the operating conditions of each apparatus to watch the state or the indication of them.

■ Connection/Use

- ◎ Connect and use three cameras.
The three cameras can be controlled the same at the same time.



- ◎ Each of the three camera is controlled with the RM-S1 each, and the one RM-S1 controls all of the three cameras the same at the same time.



■ Specifications

Input/Output/Functions	
For the cameras with the LANC connector. Up to three cameras can be connected and controlled.	
LANC Connector 1/2/3	3 × 3-conductor Sub-miniature Jack : for connection to LANC camera
LANC Connector 4	1 × 3-conductor Sub-miniature Jack : for connection to LANC remote control RM-S1
D-sub 9-pin Connector	1 × D-sub 9-pin Connector : connected to the Connector 1/2/3/4 in parallel
REC Switch	Push Switch : REC ON(Start)/OFF(Stop)
LOCK ON/OFF Switch	Toggle Switch : LOCK ON(REC)/OFF(Stop)
ZOOM knob W/T	WIDE - TELE Zooming speed is variable according to the angle of rotation of the knob.
HI/LO Switch	Toggle Switch : HI(Zoom speed is high)/LO(Zoom speed is low)
FOCUS Knob N/F	NEAR - FAR A change in the focus distance depends on the speed of rotating speed of the knob.
MANU/AUTO Switch	Push Switch : AUTO focus/MANUAL focus
PUSH AUTO Switch	Push Switch : While pressing PUSH AUTO switch the auto focus functions.
HI/LO Switch	Toggle Switch : HI(focus speed is high)/LO(focus speed is low)
IRIS Knob C/O	CLOSE/OPEN Adjust the IRIS.
MANU/AUTO Switch	Push Switch : AUTO iris adjustment/MANUAL adjustment
PUSH AUTO Switch	Push Switch : While pressing PUSH AUTO switch the auto iris functions.
HI/LO Switch	Toggle Switch : HI(iris adjust speed is high)/LO(iris adjust speed is low)
ATW Switch	Push Switch : Select the auto white balance or the manual white balance
LOCK ON/OFF Switch	Toggle Switch : Used to lock the ATW switch. When the switch is ON, the ATW switch is invalid.
General	
Screw hole for Clamp Bracket	For fixing the Clamp Bracket STF-10(optional)
Dimensions(WxHxD)	approx. 80 x 120 x 44 mm (main body)
Weight	approx. 0.28 kg (main body)
Operating Temperature	0 °C ~ 40 °C
Storage Temperature	-20 °C ~ 60 °C
Accessories	
3-conductor Sub-miniature Plug Cable/Operating Instructions	

NOTE Features, design and specifications are subject to change without notice.

■ Option

Clamp Bracket	STF-10	(approx. 0.45 kg) For fixing to the pan handle of the tripod
3-conductor Sub-miniature Plug Extension Cable		
Rack Mount Bracket	HS-REM1	For RM-P250 , able to mount up to 5 pieces max.

